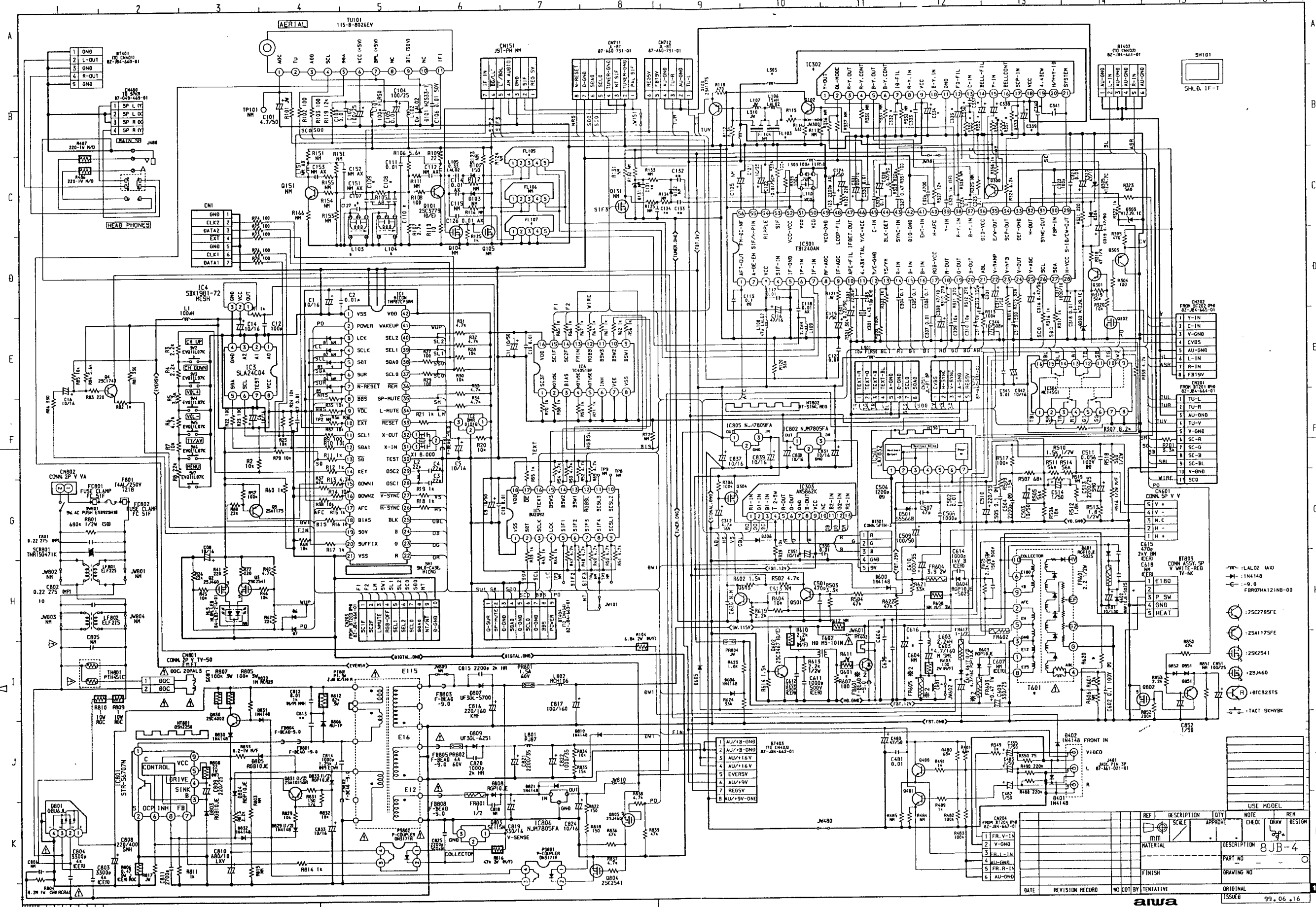


AIWA TV-SE211 SCHEMATIC DIAGRAM_1 (MAIN)



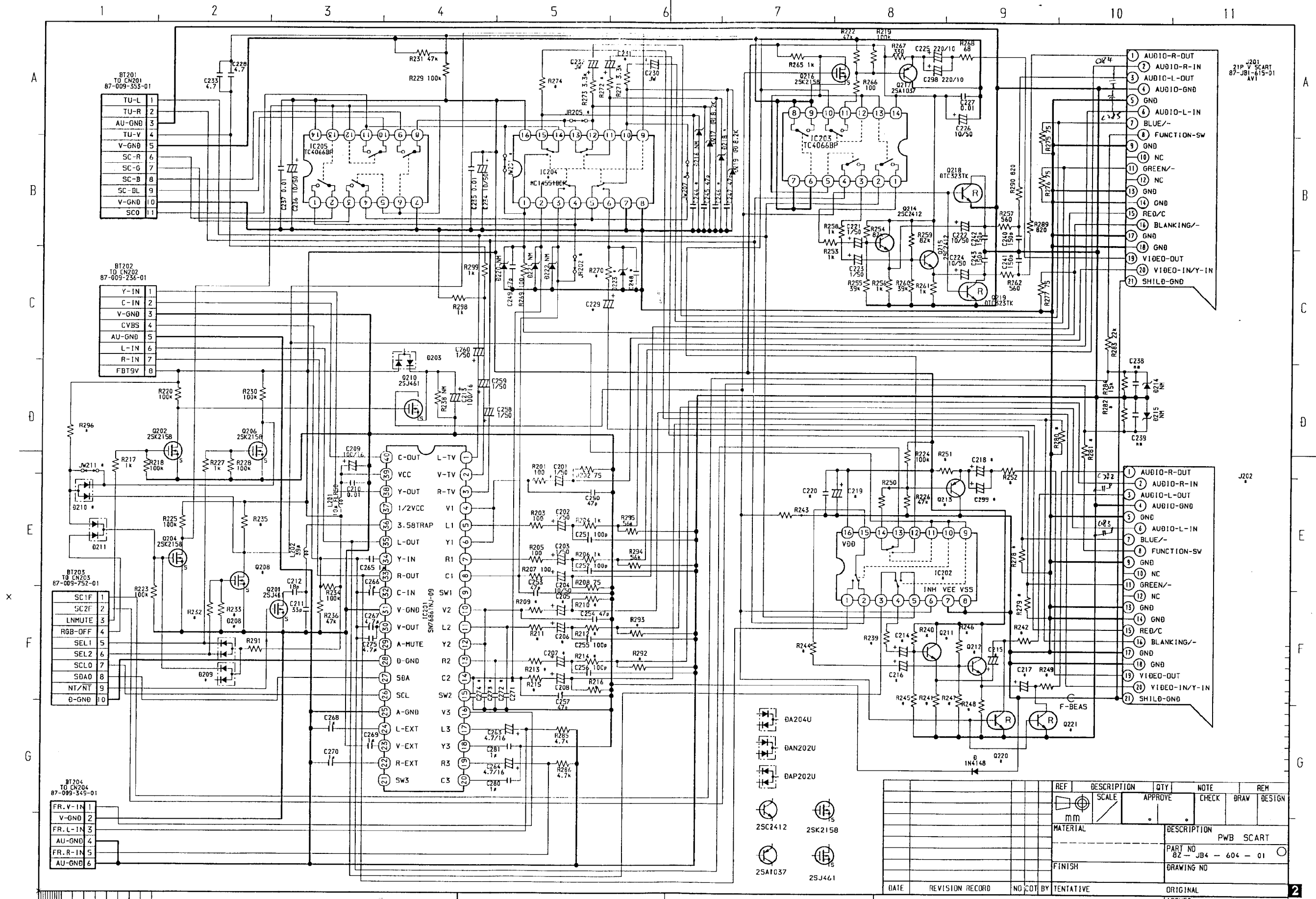
- LAL02 AXD
- IN4148
- 9.0
- FB07HA121NB-00
- 25C2785FE
- 25A1175FE
- 25K2541
- 25J460
- 07C3231S
- TACT SK4VBC

REF	DESCRIPTION	QTY	NOTE	REM
1	FR. V-IN			
2	V-GND			
3	FR. L-IN			
4	AU-GND			
5	FR. R-IN			
6	AU-GND			

DATE	REVISION	RECORD	NO	BY	TENTATIVE	ORIGINAL	ISSUE

aiwa

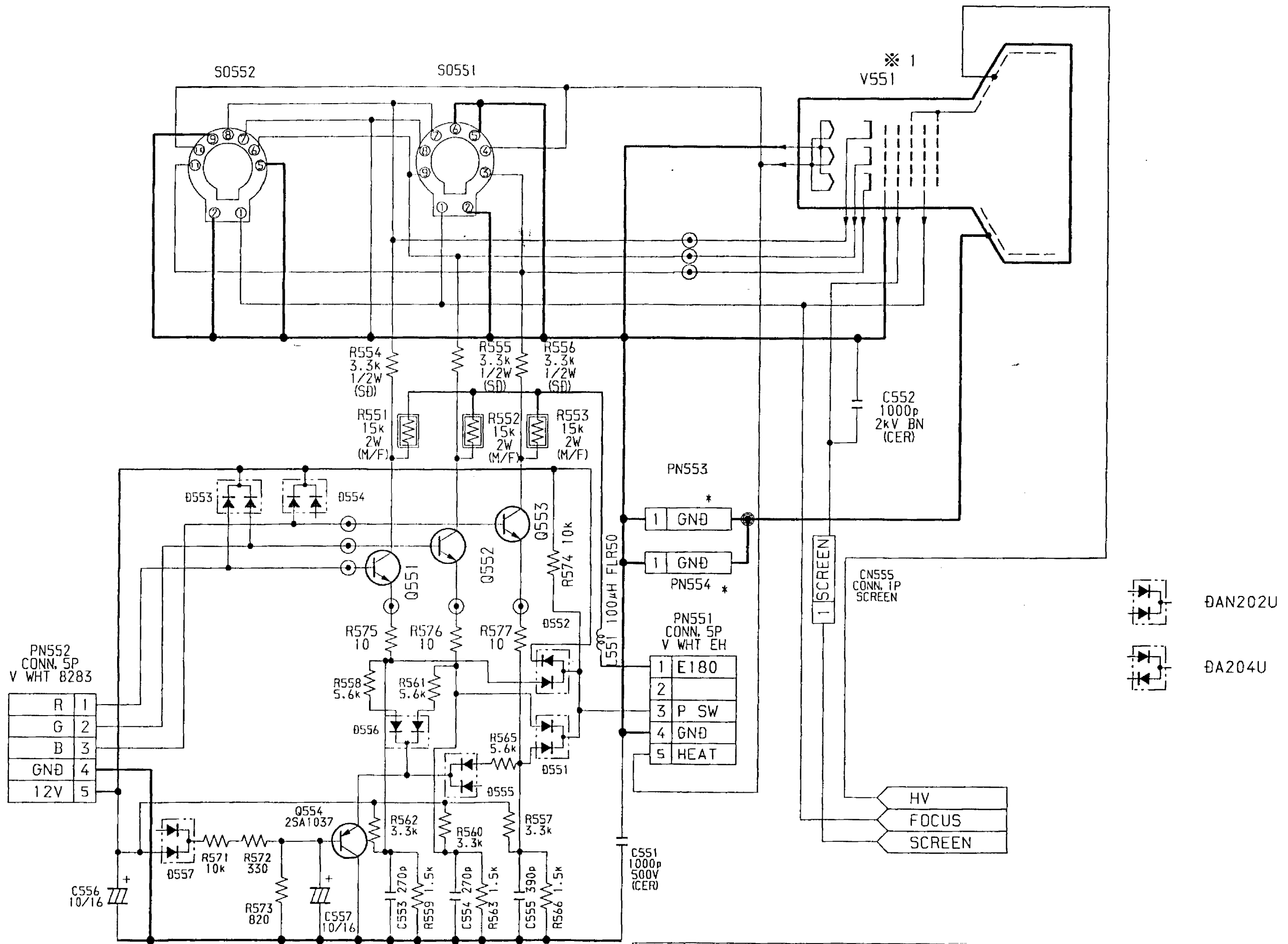
SCHEMATIC DIAGRAM - 2 (SCART)



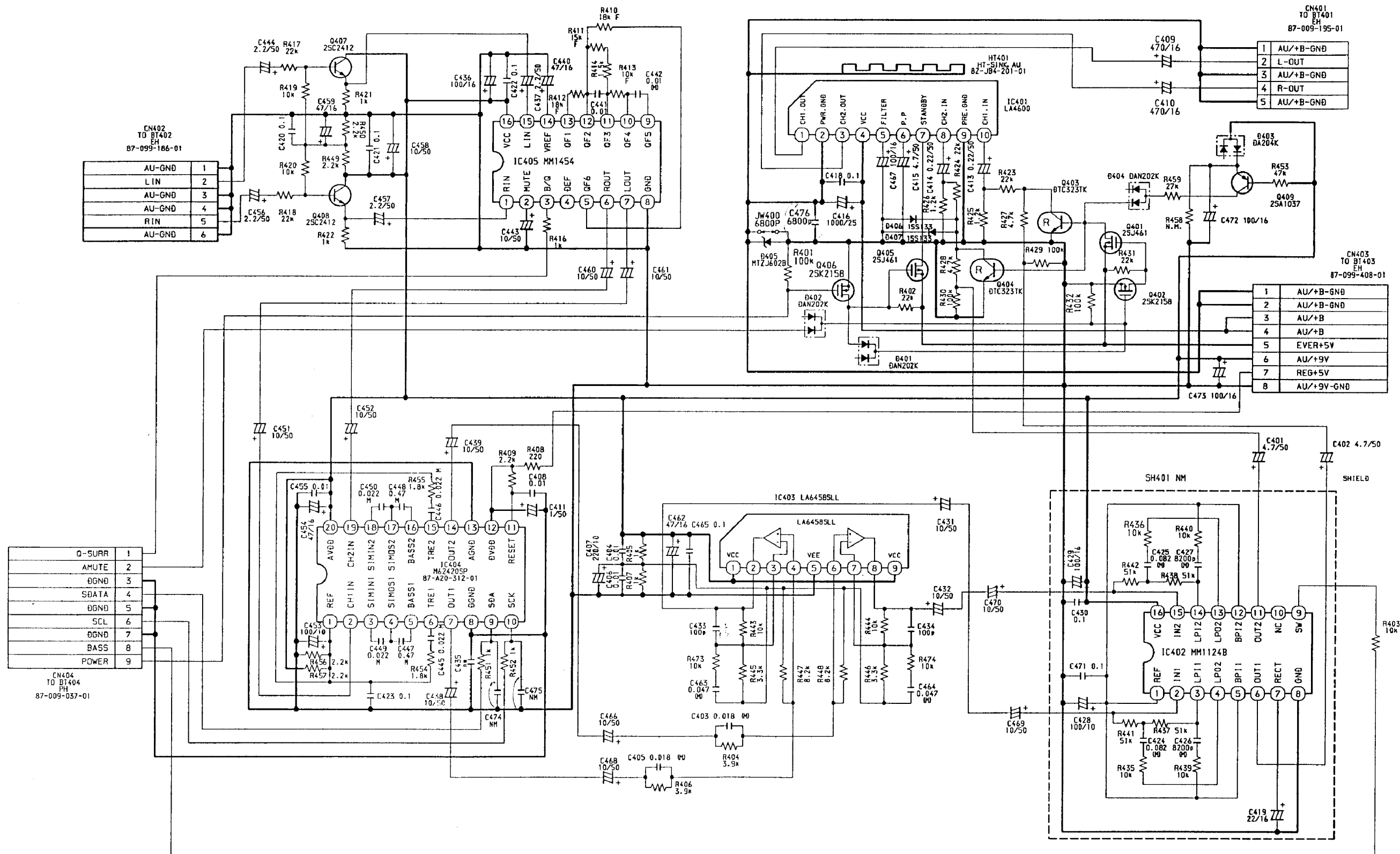
REF	DESCRIPTION	QTY	NOTE	REM
SCALE	APPROVE	CHECK	DRAW	DESIGN
MATERIAL	DESCRIPTION PWB SCART			
FINISH	PART NO BZ-JB4-604-01			
DATE				DRAWING NO
REVISION RECORD				ORIGINAL
NO. COT BY TENTATIVE				ISSUED 99.16.17

aiwa

SCHEMATIC DIAGRAM - 3 (NK)



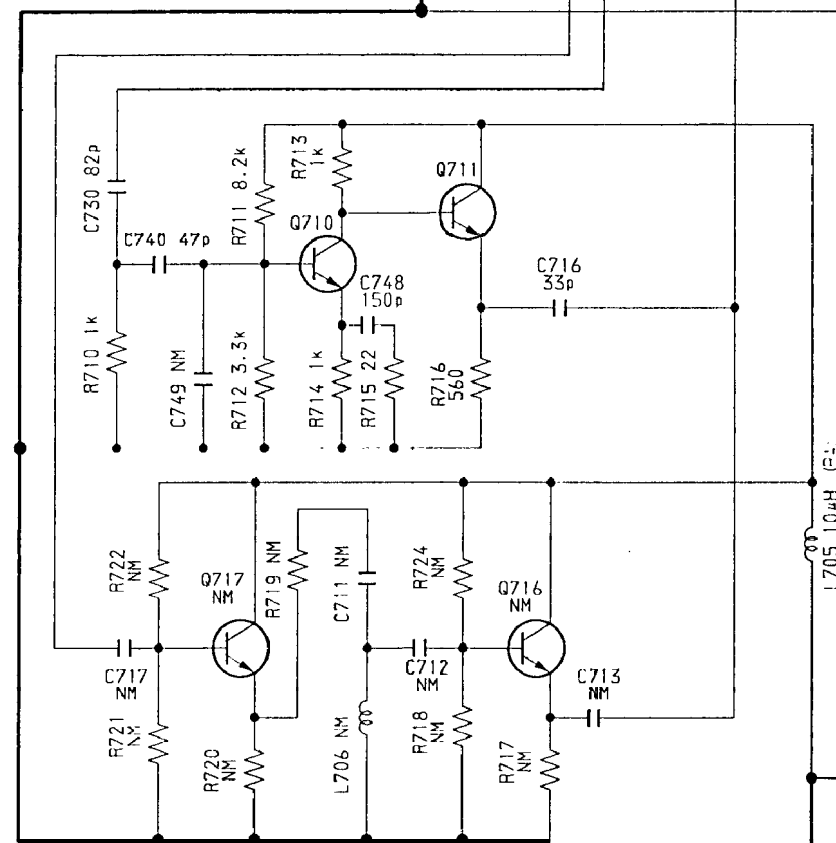
SCHEMATIC DIAGRAM - 4 (AUDIO)



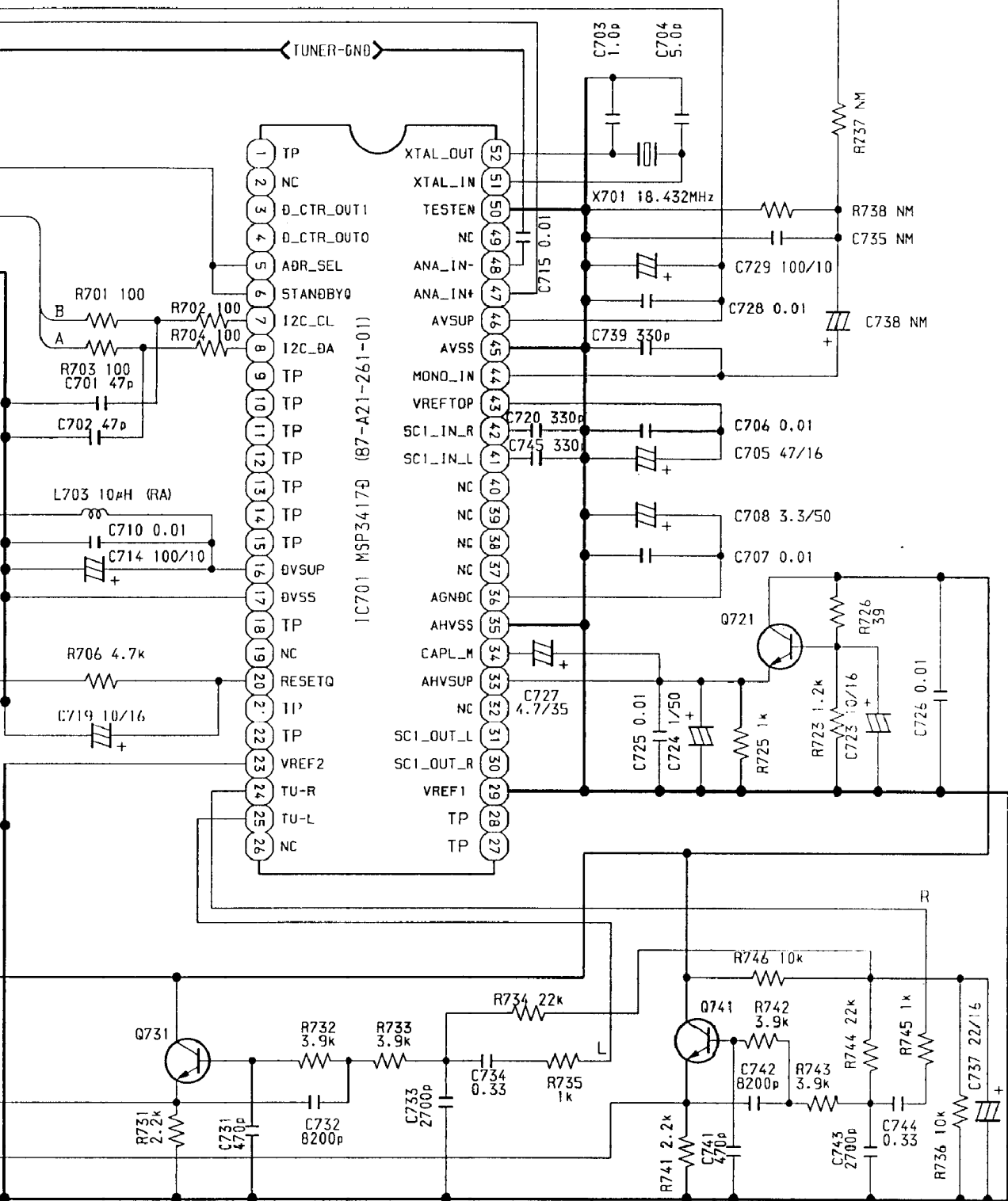
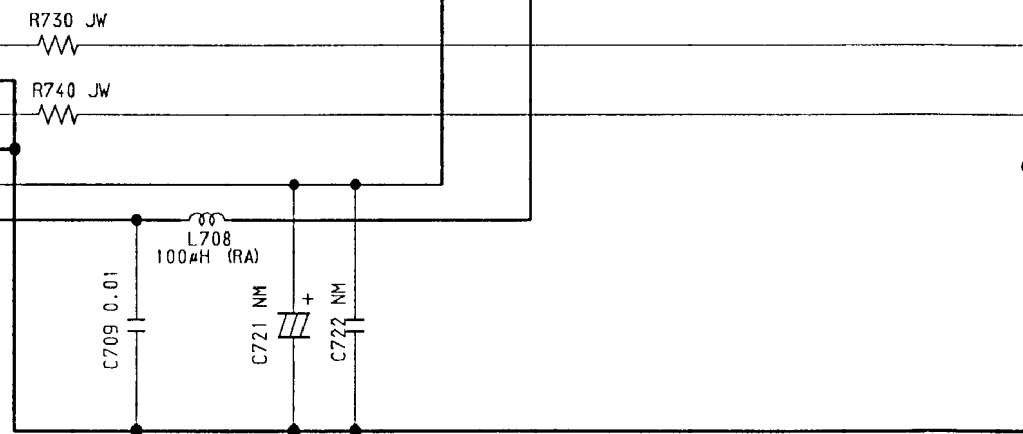
SCHEMATIC DIAGRAM - 5 (NICAM)

CN701
JL-R
87-A60-722-01

PAI SIF IN	1
TUNER-GND	2
NT SIF IN	3
TUNER-GND	4
SCLO	5
SDAO	6
θ-GND	7
N-RESET	8



TU-L	1
AU-GND	2
TU-R	3
AU-GND	4
FBT9V	5
REG5V	6

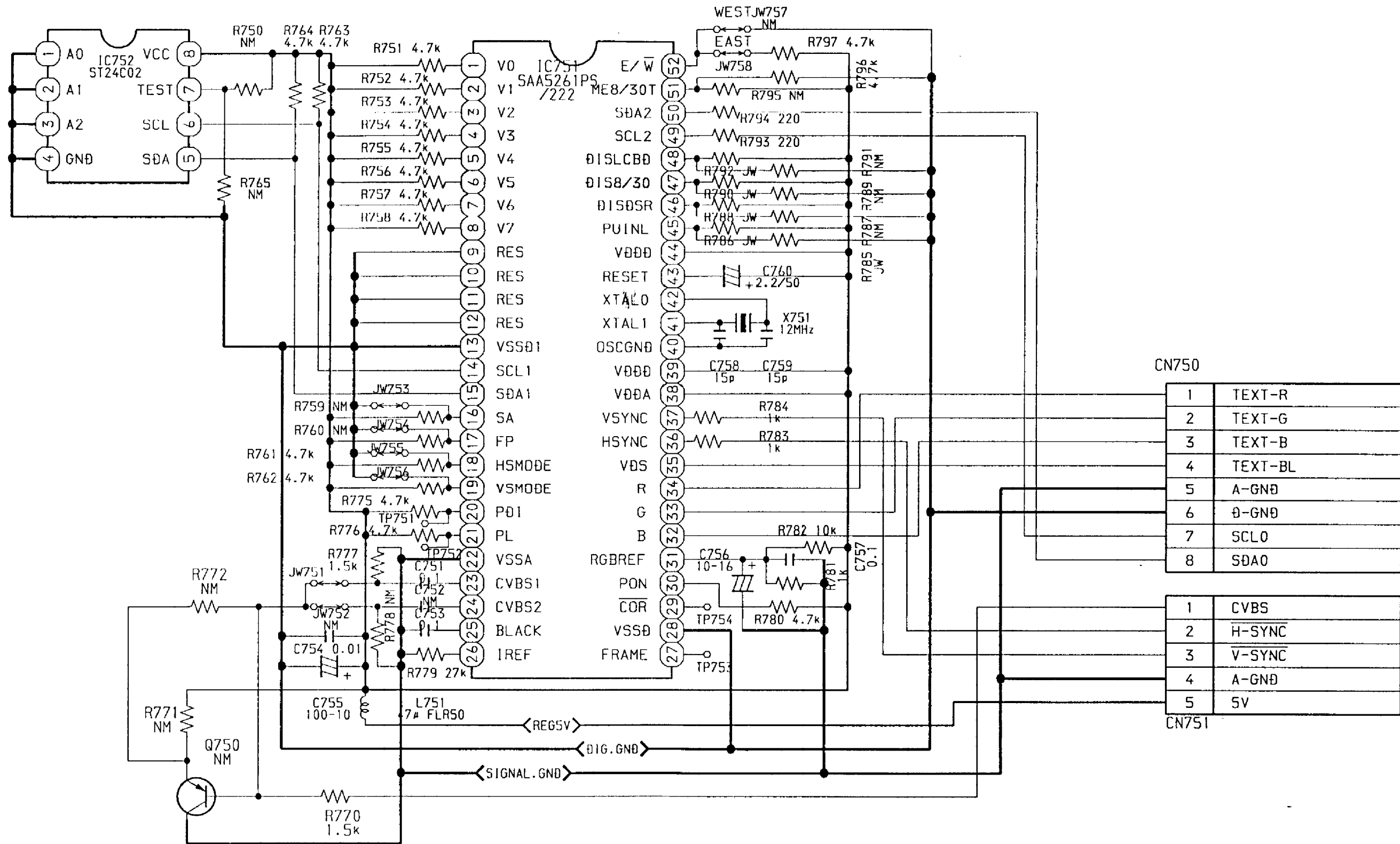


REF	DESCRIPTION	QTY	NOTE	REM
	SCALE	APPROVE	CHECK	DRAW
	MATERIAL	DESCRIPTION		
	FINISH	PART NO		
	DATE	REVISION RECORD	NO	COT
		BY	TENTATIVE	ORIGINAL

C-TR. 25C2412

A
B
C
D
E
3

SCHEMATIC DIAGRAM - 6 (TEXT)



CN750

1	TEXT-R
2	TEXT-G
3	TEXT-B
4	TEXT-BL
5	A-GND
6	Ø-GND
7	SCL0
8	SDA0

CN751

1	CVBS
2	H-SYNC
3	V-SYNC
4	A-GND
5	5V