

Manual de Serviço



**D
V
D

G
A
M
E
/
G
A
M
E

U
S
B**

0800 415300

assistenciatecnica@britania.com.br

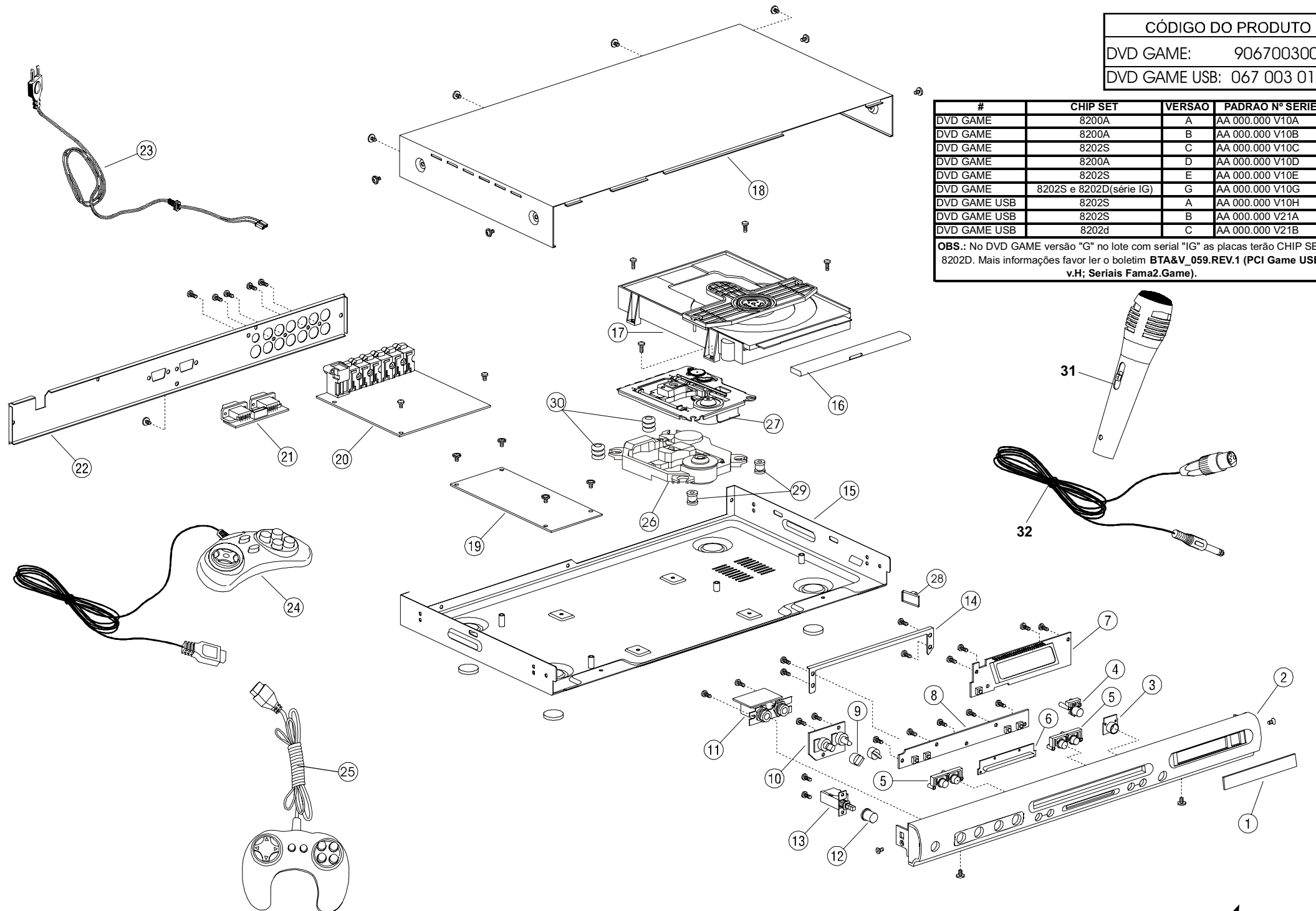
Política da Qualidade Britânia

“ Oferecer produtos que contribuam para a satisfação dos nossos clientes, buscando a melhoria contínua dos nossos processos ”

CÓDIGO DO PRODUTO
 DVD GAME: 9067003004
 DVD GAME USB: 067 003 019

#	CHIP SET	VERSAO	PADRAO Nº SERIE
DVD GAME	8200A	A	AA 000.000 V10A
DVD GAME	8200A	B	AA 000.000 V10B
DVD GAME	8202S	C	AA 000.000 V10C
DVD GAME	8200A	D	AA 000.000 V10D
DVD GAME	8202S	E	AA 000.000 V10E
DVD GAME	8202S e 8202D(série IG)	G	AA 000.000 V10G
DVD GAME USB	8202S	A	AA 000.000 V10H
DVD GAME USB	8202S	B	AA 000.000 V21A
DVD GAME USB	8202d	C	AA 000.000 V21B

OBS.: No DVD GAME versão "G" no lote com serial "IG" as placas terão CHIP SET 8202D. Mais informações favor ler o boletim **BTA&V_059.REV.1 (PCI Game USB v.H; Seriais Fama2.Game)**.



Scafield & Freitas / Curitiba

ITENS DA VISTA EXPLODIDA

Nº	Descrição	Código
1	VISOR DISPLAY DVD GAME	703403
2	GAB FRONT DVD GAME	703393
	GAB FRONT DVD GAME USB V.A.H	705192
3	DEC. BOTAO OPEN/CLOSE DVD GAME	703400
4	BOTAO OPEN/CLOSE DVD GAME	703399
5	BOTOES COMANDO DVD GAME	703401
7	PCI DISPLAY DVD GAME V.A,B,C,D	703398
	PCI DISPLAY DVD GAME V.E.G/GAME USBV.A,H,E,G (6VIAS X 130mm,DV-010-BVFD)	705181
8	PCI TECLADO DVD GAME/GAME USB	703397
9	KNOB MIC DVD GAME/GAME USB	703405
10	PCI CONTROLE MIC DVD GAME/GAME USB	703396
11	PCI JACK MIC DVD GAME/GAME USB	703395
12	BOTAO POWER DVD GAME	703406
13	CHAVE MASTER 8A128A,10A 2P S/ROSCA	702070
14	REFORCO GAB FRONT DVD GAME	703404
15	GAB INF DVD GAME V.A	703392
	GAB INF DVD GAME V.B	704252
	GAB INF DVD GAME V.C,D	704712
	GAB INF DVD GAME V.E.G	705182
	GAB INF DVD GAME USB V.A.H	705193
16	PROTECAO GAVETA DVD GAME/GAME USB	703407
17	MEC DVD S/UNID OTICA DVD GAME V.A,B,E,G	703381
	MEC DVD S/ UNID OTICA DVD GAME V.C,D,H	704711

Nº	Descrição	Código
18	GAB SUP DVD GAME V.A,B	703390
	GAB SUP DVD GAME V.C,D	704714
	GAB SUP DVD GAME V.E	705177
	GAB SUP DVD GAME USB V.A,H	705185
	GAB SUP DVD GAME V.G	705205
19	PCI FONTE DVD GAME V.A,B,C,D (KWDP-V22A)	703346
	PCI FONTE GAME USBV.A,H/GAME V.E,G (KWDP-T195A)	705180
20	PCI PRINC DVD GAME V.A (SPHE8200A)	703414
	PCI PRINC DVD GAME V.B,D,C,E	704710
	PCI PRINC DVD GAME USB V.A (SPHE8202S)	705186
	PCI PRINC DVD GAME V.G (SPHE8202D)	705203
	PCI KIT PCI+CONTROL.REM DVD GAME USB	706607
21	PCI SOQUETE JOYSTICK DVD GAME/GAME USB	703394
22	GAB TRAS DVD GAME V.A,B	703391
	GAB TRAS DVD GAME V.C,D	704713
	GAB TRAS DVD GAME V.E	705183
	GAB TRAS DVD GAME V.G/GAME USB V.A,H	705195
23	CORDAO ELETRICO DVD GAME V.A,B,C,D.	702063
	CORDAO ELETRICO DVD GAME USB/GAME V.E.G	704822
24	JOYSTICK DVD GAME	703408
25	JOYSTICK DVD GAME USB	705194
26	UNID OTICA KHS313A DVD GAME V.G/ DVD USB V.A.H	705196
27	UNID OTICA SYKC 52-1286B DVD GAME V.A.B.C.D.E	703379
28	PCI CONECTOR USB DVD GAME USB V.A,H	705190
29	AMORT PR DIANT GAME	702038
30	AMORT TRAS DVD GAME V.A,B,C,D,E	703416
31	CABO/PLUG MICROFONE DVD GAME/GAME USB	703348
32	MICROFONE DVD GAME USB V.A.H/GAME V.E,G	703347

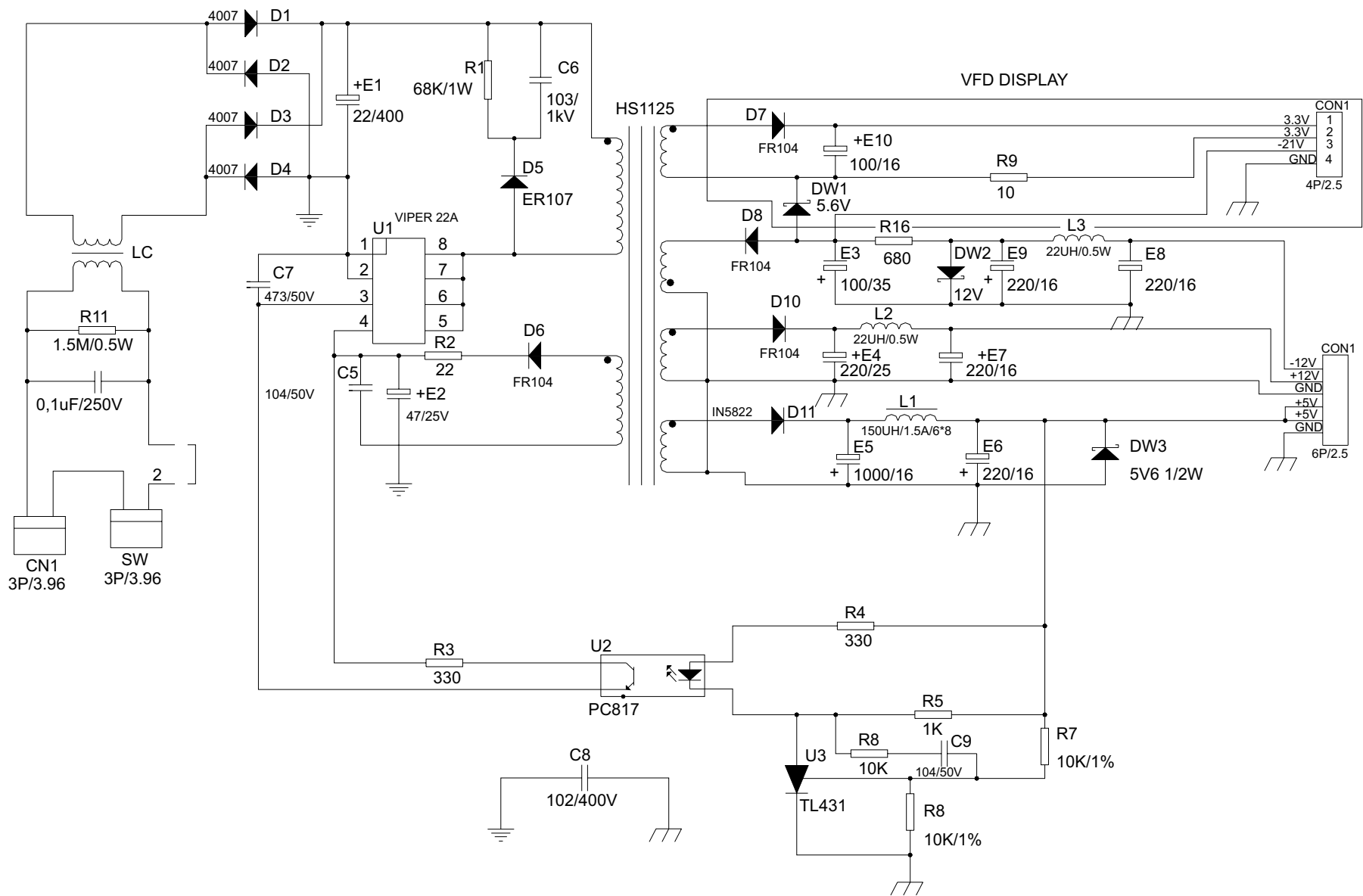
DEMAIS COMPONENTES FORNECIDOS

Codigo	PCI PRINCIPAL	Loca.
700105	TRANSISTOR 8050 (PTH)	
700106	TRANSISTOR SS8550 (PTH)	
700107	TRANSISTOR 9014C	
700321	TRANSISTOR 8550N	
700322	TRANSISTOR C9015	
700935	TRANSISTOR S9014C	
701400	CIRC. INT. HCU04 (R)	
701640	CIRC. INT. BA5954/CMD5954	
701904	CIRC. INT. TP6312F (R)	
704478	CIRC. INT. 4558 (R)	
702074	CIRC. INT. 24C02N (SMD)	
702076	CIRC. INT. F435/KEW435/VIPER-22A	
702079	CIRC. INT. SPHE 6300A	
702299	CIRC. INT. PJ 1117 (1.8V)	
702300	CIRC. INT. SPHE 8200A	
701643	CIRC. INT. 24LLCO2	
703341	CIRC. INT. MEM K4S161622HCT60	
703366	CIRC. INT. PCM1606E	
703368	CIRC. INT. M16132	
703415	CIRC. INT. MEM EN29F04A-70PC (GAME v.A)	
704026	CIRC. INT. AM 5668	
704251	CIRC. INT. MEM EN29F040A-70PC (GAME v.B)	
704253	TRANSISTOR H3904	
704265	CIRC. INT. K4S641632H-T660	
704266	CIRC. INT. SPHE 8202S	
704274	CIRC. INT. 24A02	
704718	CIRC. INT. MEM EN29F040A-70PC (GAME v.C)	
704730	CIRC. INT. SPHE 8202D	
704993	CIRC. INT. CHMC S5B02/D588S	
705187	CIRC. INT. MEM HY57V641620ET-H	
705188	CIRC. INT. SE 81171A	
705189	CIRC. INT. SE 8117T33	
705204	CIRC. INT. EN29LV040A-70PC EON GAME V.G	
705206	CIRC. INT. CE2826/A63970 (SMD)	
PCI FONTE		
701632	CIRC. INT. TL431/KA431 (PTH)	
701633	CIRC. INT. EL817 (PTH)	
702076	CIRC. INT. F435/KEW435/VIPER-22A	
PCI DISPLAY		
701904	CIRC. INT. TP6312F (R)	

ACESSORIOS/CABOS		
DESCRIÇÃO	CÓDIGO	LOCALIZAÇÃO
CABO AUDIO E VIDEO 1,15m	702065	
CABO AUDIO E VIDEO 1,50m	701690	
CABO FLAT 24V 150mm P:0,5mm NORMAL Game V.A.B.C.D	703361	
CABO FLAT 24V 160mm P:0,5mm NORMAL Game V.G GameUSB V.A.H	705191	
CD 300JOGOS DVD GAME A,B,C,D	703411	
CD JOGOS (27) DVD GAME USB/DVD GAME V.E,G	705146	
CONJ CALCO DVD GAME V.E,G	705287	
CONJ CALCO PROT DVD GAME V.A,B,C,D/GAME USB	072592	
CONTROLE REM GAME USBV.A	705381	
CONTROLE REMOTO DVD GAMEv.A (R)	703360	
CONTROLE REMOTO DVD GAMEvB,C,D,E,G/GAME USB V .H	703374	
EMBALAGEM DVD GAME USB	705143	
EMBALAGEM DVD GAME V.A,B,C,D	703412	
EMBALAGEM DVD GAME V.E,G	705178	
MANUAL USUARIO DVD GAME USB V.H	705145	
MANUAL USUARIO GAME USB V.A	705518	
MANUAL USUARIO GAME V.A,B,C,D,G	703413	
MANUAL USUARIO GAME V.E	705179	
MANUAL USUARIO UNIFICADO DVD GAME	705593	

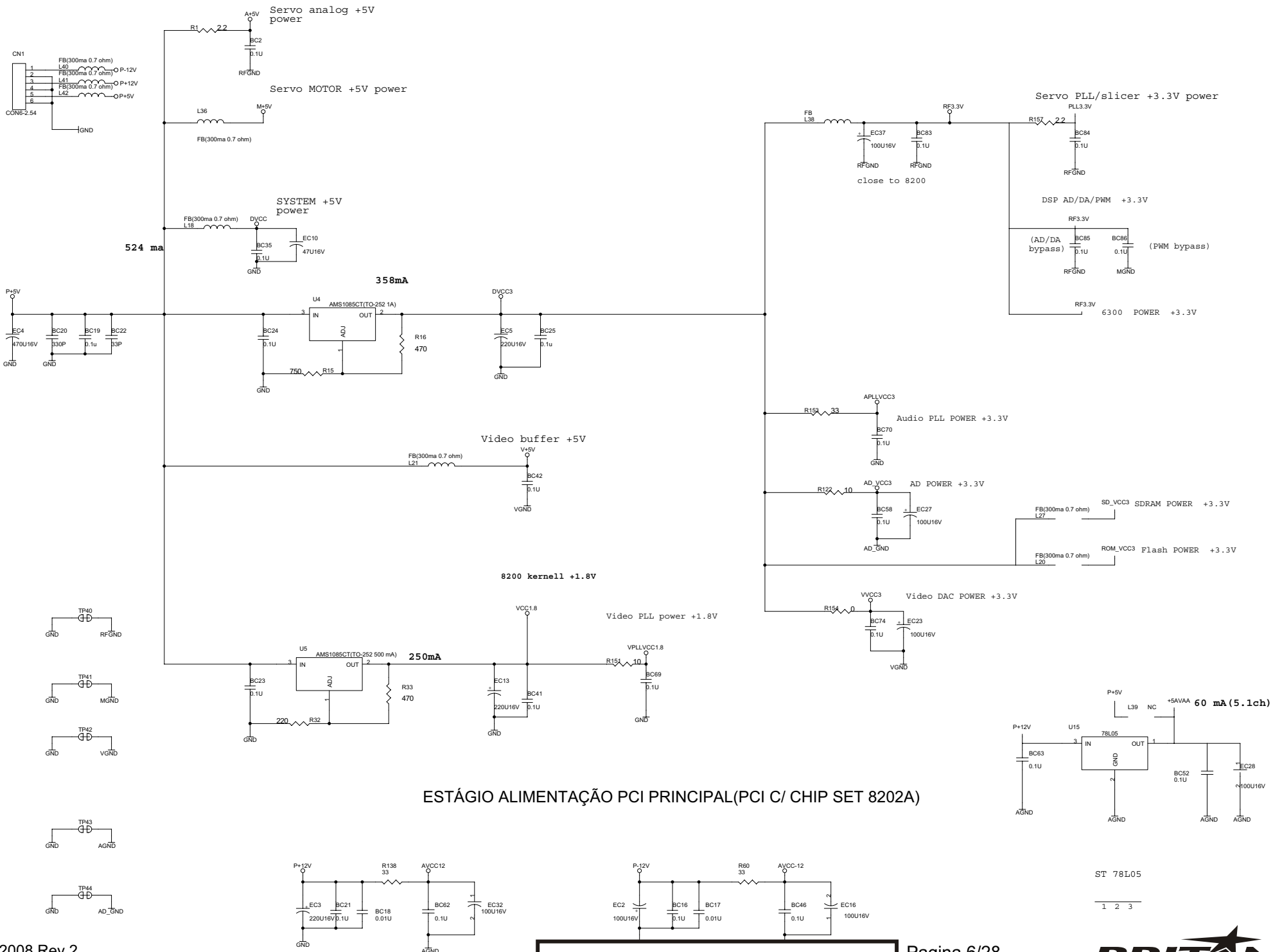
NOTA:

Dos itens da página anterior, somente aqueles que possuem códigos relacionados nas tabelas serão fornecidos.



PCI FONTE (KWDP-T195A)

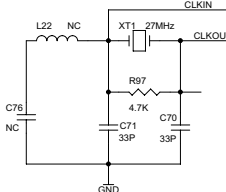
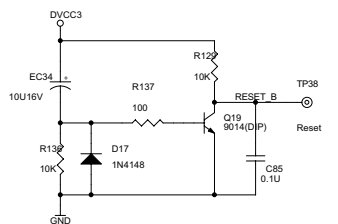
Santfield & Freitas / Curitiba



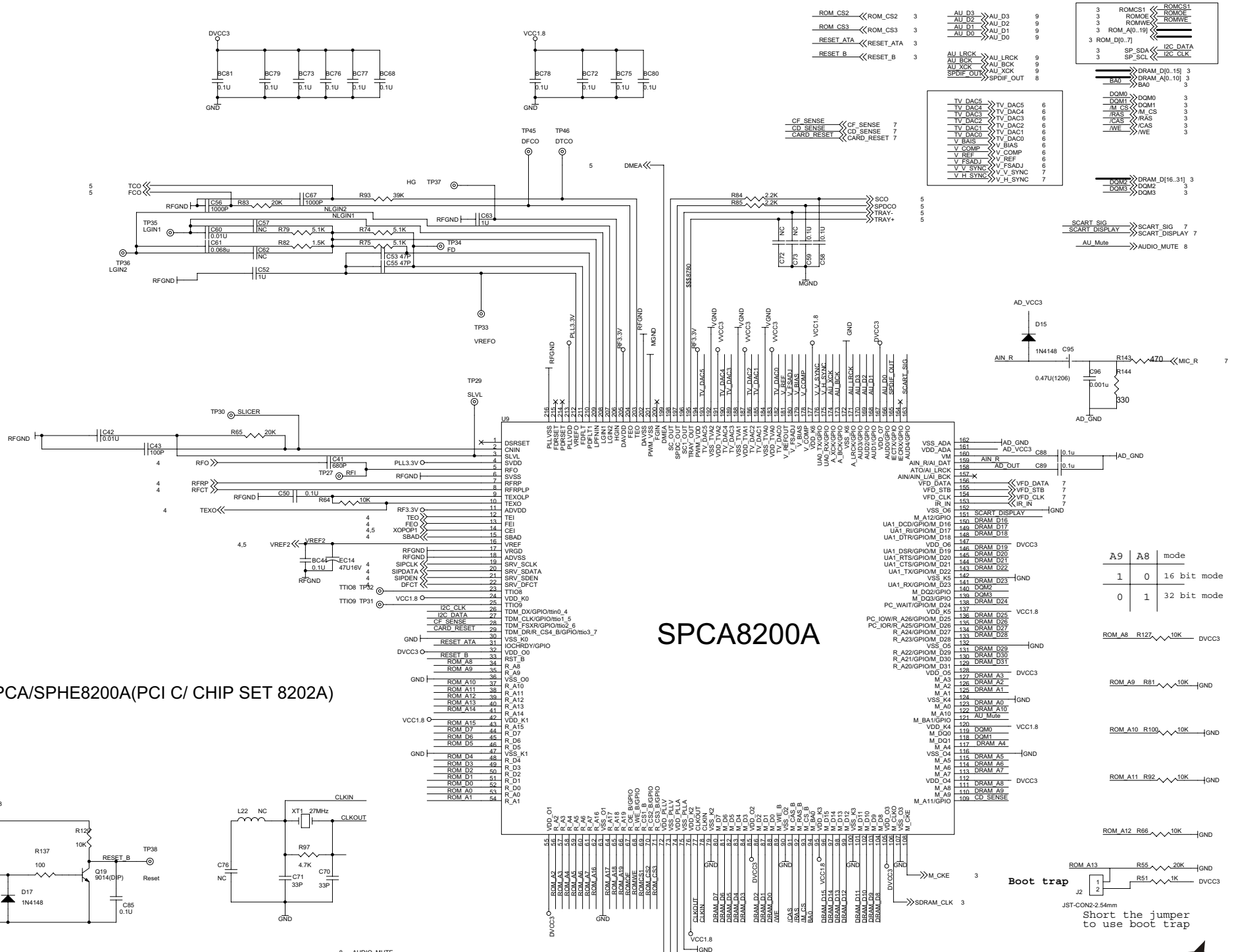
Saeffeld & Freitas / Curitiba

CHIP SET SPCA/SPHE8200A(PCI C/ CHIP SET 8202A)

SPCA8200A

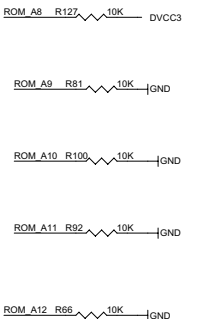


8 AUDIO_MUTE

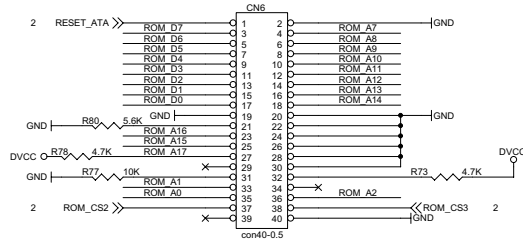
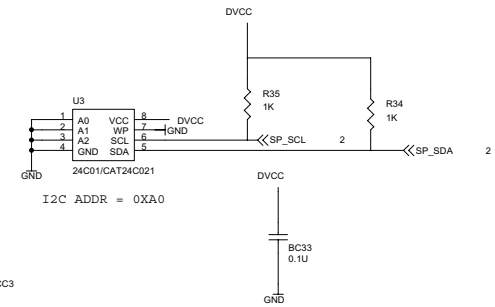
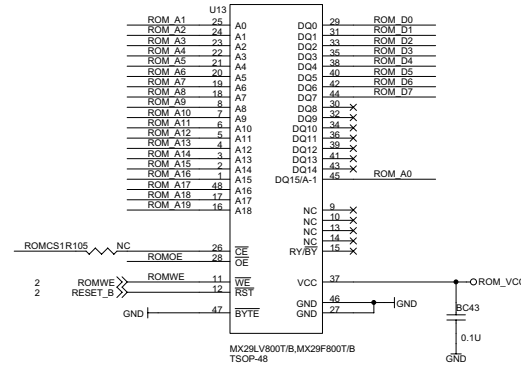
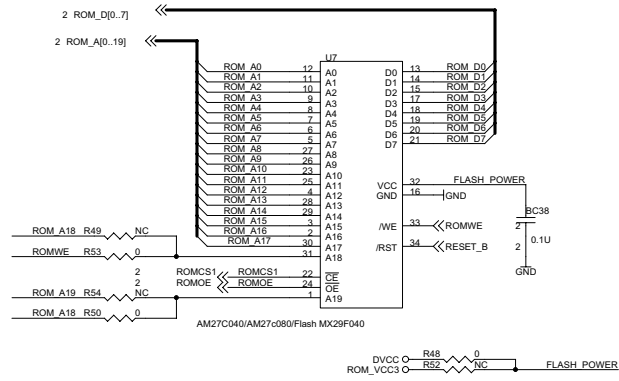


ROM_CS2	<<ROM_CS2	3	AU_D3	>>AU_D3	9
ROM_CS3	<<ROM_CS3	3	AU_D2	>>AU_D2	9
RESET_ATA	<<RESET_ATA	3	AU_D1	>>AU_D1	9
RESET_B	<<RESET_B	3	AU_D0	>>AU_D0	9
			AU_LRCK	>>AU_LRCK	9
			AU_BCK	>>AU_BCK	9
			SPDIF_OUT	>>SPDIF_OUT	8
			ROMCS1	<<ROMCS1	3
			ROMCE	<<ROMCE	3
			ROMWE	<<ROMWE	3
			ROM_A0..19	<<ROM_A0..19	3
			ROM_D0..7	<<ROM_D0..7	3
			I2C_DATA	<<I2C_DATA	3
			SP_SDA	<<SP_SDA	3
			SP_SCL	<<SP_SCL	3
			DRAM_A0..10	<<DRAM_A0..10	3
			DRAM_D0..15	<<DRAM_D0..15	3
			BA0	<<BA0	3
			DOM0	<<DOM0	3
			DOM1	<<DOM1	3
			IM_CS	<<IM_CS	3
			RAS	<<RAS	3
			CAS	<<CAS	3
			WE	<<WE	3
			DRAM_D16..31	<<DRAM_D16..31	3
			DOM2	<<DOM2	3
			DOM3	<<DOM3	3
			TV_DAC5	<<TV_DAC5	6
			TV_DAC4	<<TV_DAC4	6
			TV_DAC3	<<TV_DAC3	6
			TV_DAC2	<<TV_DAC2	6
			TV_DAC1	<<TV_DAC1	6
			TV_DAC0	<<TV_DAC0	6
			V_BIAS	<<V_BIAS	6
			V_COMP	<<V_COMP	6
			V_REF	<<V_REF	6
			V_FSADJ	<<V_FSADJ	6
			V_H_SYNC	<<V_H_SYNC	7
			V_H_SYNC	<<V_H_SYNC	7
			CF_SENSE	<<CF_SENSE	7
			CD_SENSE	<<CD_SENSE	7
			CARD_RESET	<<CARD_RESET	7
			SC_OUT	<<SC_OUT	6
			SCA_OUT	<<SCA_OUT	6
			TRAY_OUT	<<TRAY_OUT	6
			TV_DAC5	<<TV_DAC5	6
			TV_DAC4	<<TV_DAC4	6
			TV_DAC3	<<TV_DAC3	6
			TV_DAC2	<<TV_DAC2	6
			TV_DAC1	<<TV_DAC1	6
			TV_DAC0	<<TV_DAC0	6
			V_BIAS	<<V_BIAS	6
			V_COMP	<<V_COMP	6
			V_REF	<<V_REF	6
			V_FSADJ	<<V_FSADJ	6
			V_H_SYNC	<<V_H_SYNC	7
			V_H_SYNC	<<V_H_SYNC	7
			SCART_SIG	<<SCART_SIG	7
			SCART_DISPLAY	<<SCART_DISPLAY	7
			SCART_SIG	<<SCART_SIG	7
			SCART_DISPLAY	<<SCART_DISPLAY	7
			AUDIO_MUTE	<<AUDIO_MUTE	8

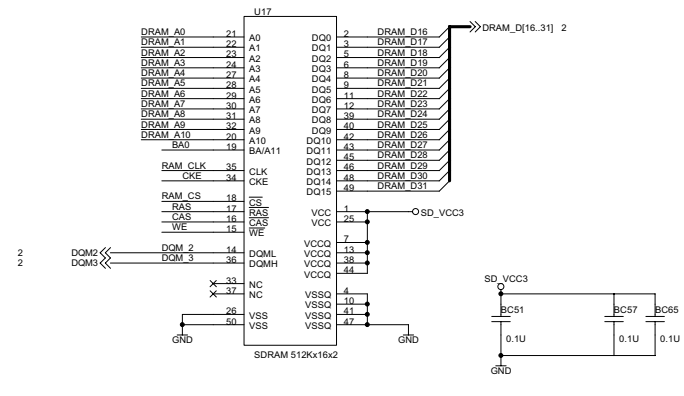
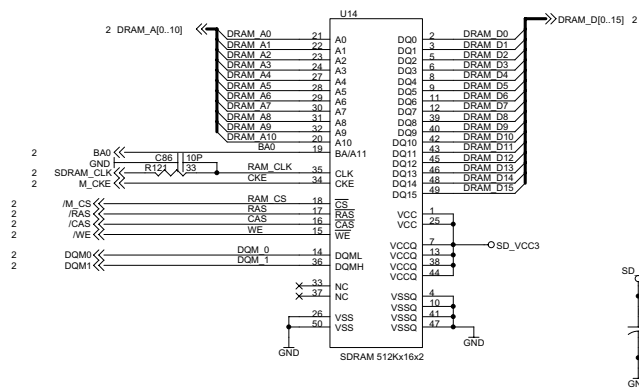
A9	A8	mode
1	0	16 bit mode
0	1	32 bit mode



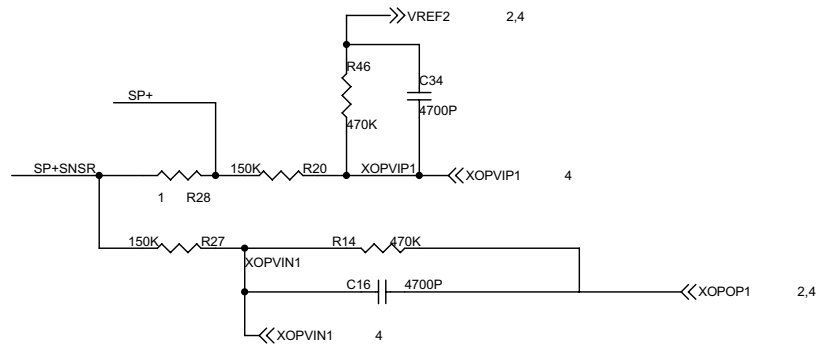
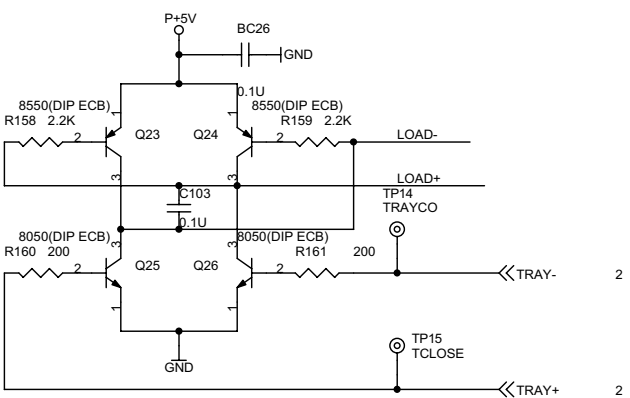
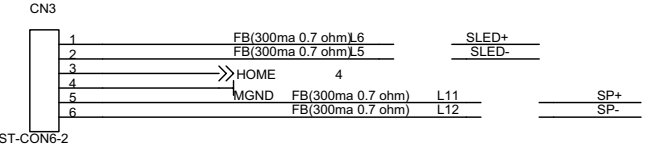
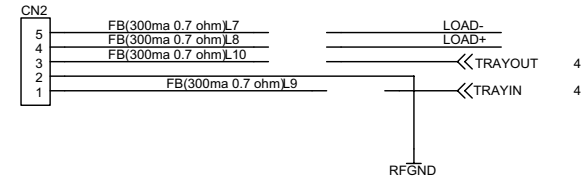
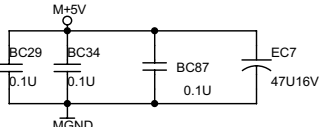
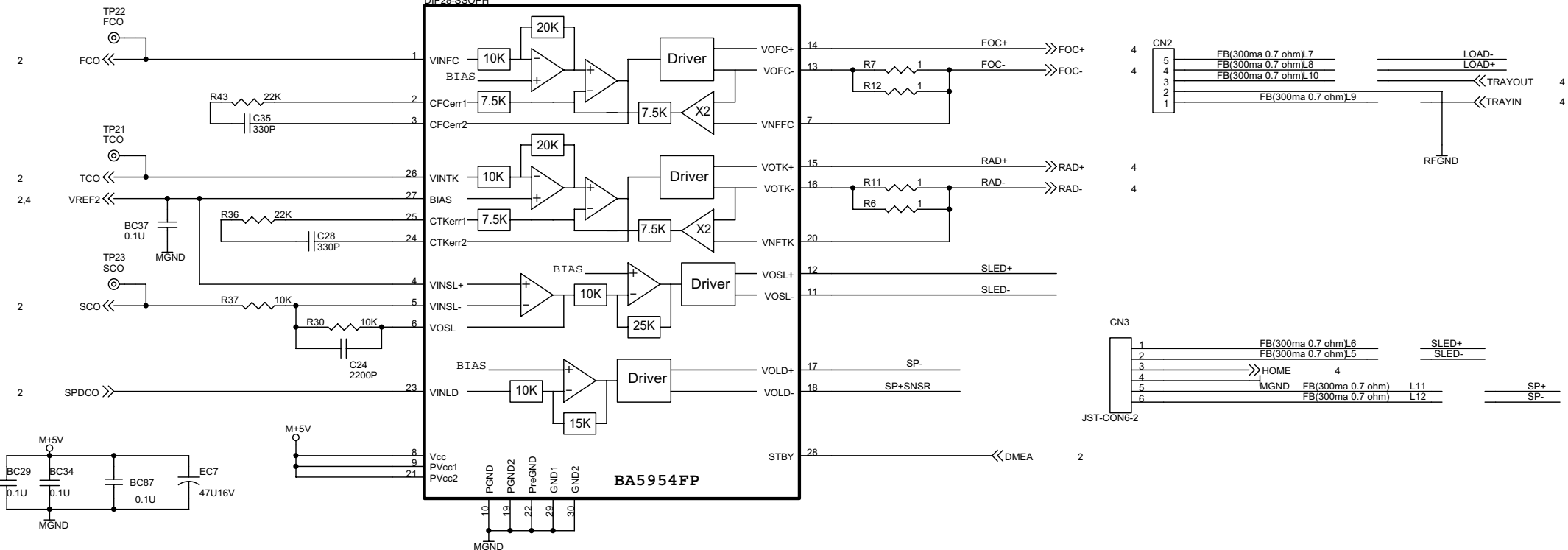
JST-COM2-2.54mm
Short the jumper to use boot trap



MEMÓRIAS FLASH E SDRAM (PCI C/ CHIP SET 8202A)

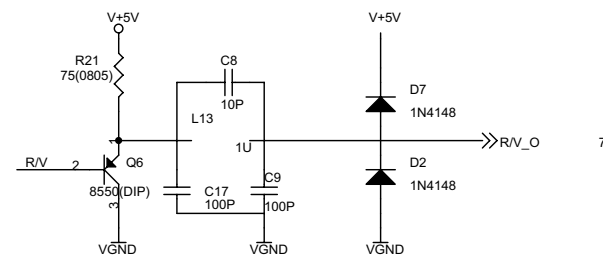
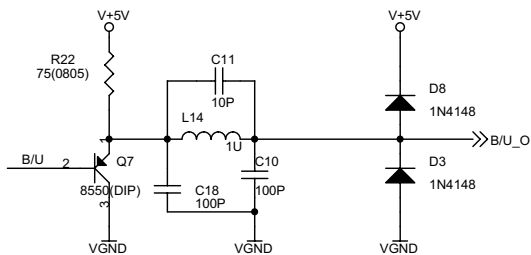
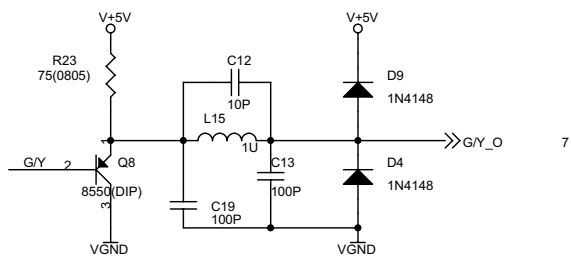
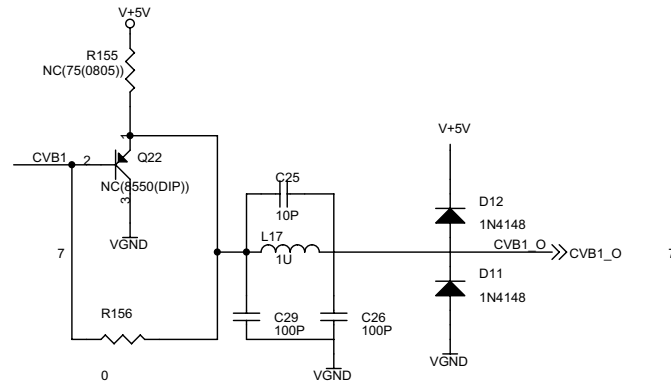
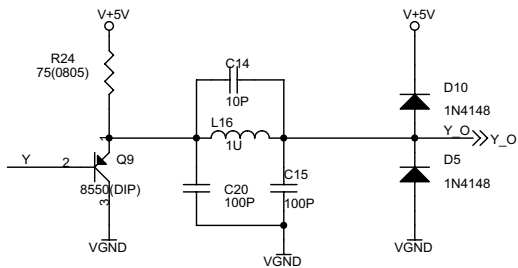
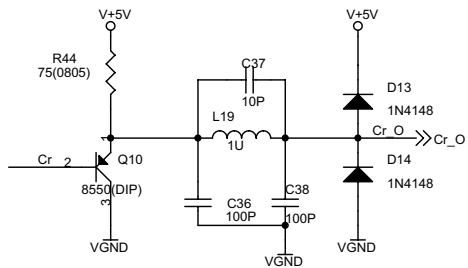
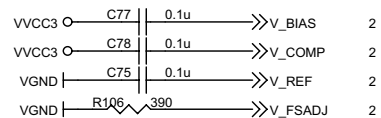
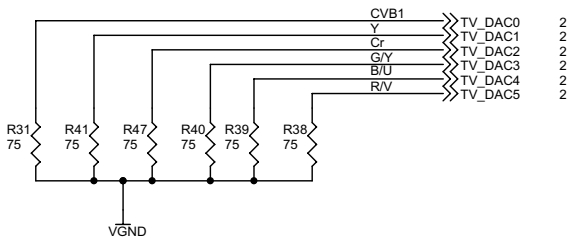


U6
BA5954FP / CMD5954
DIP28-SSOPH

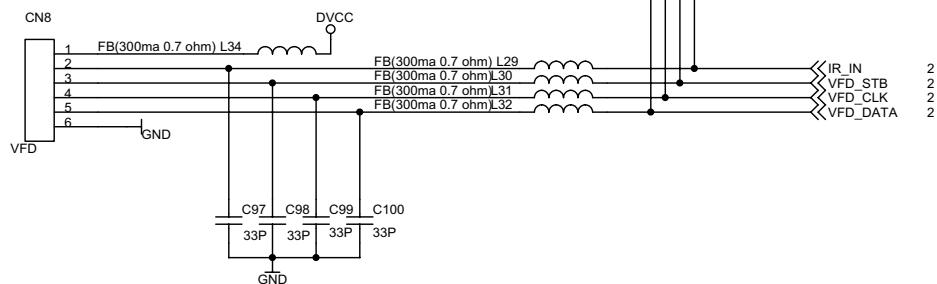
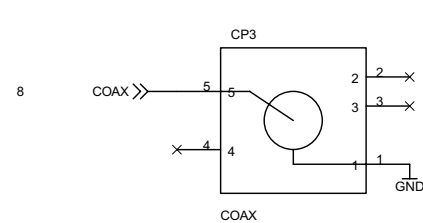
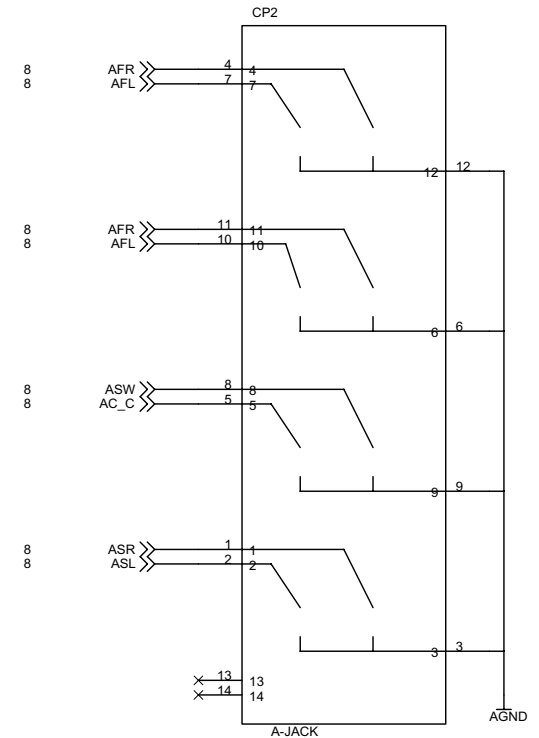
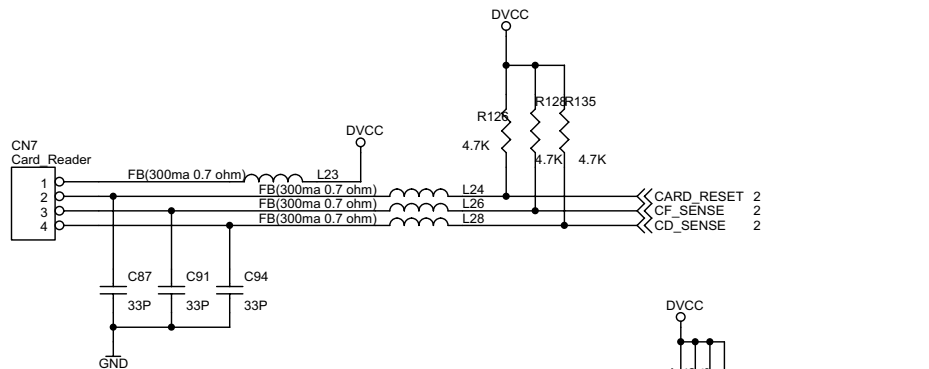
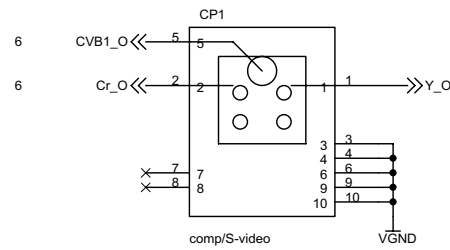
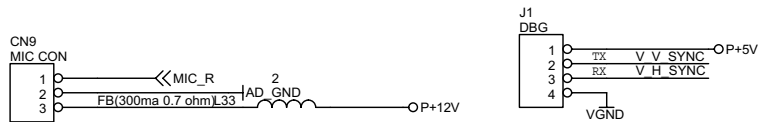
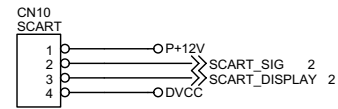
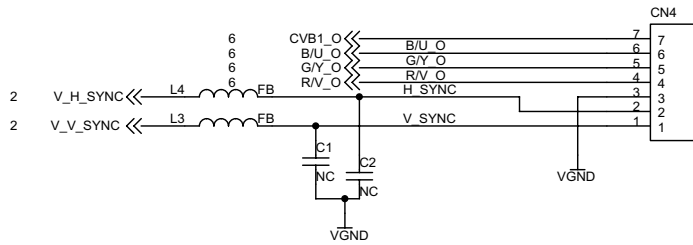


For DC motor

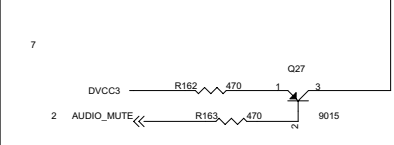
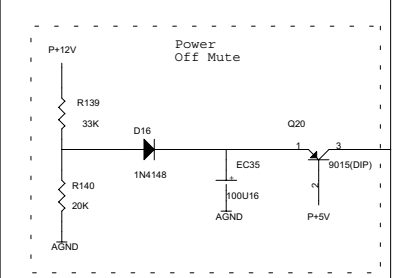
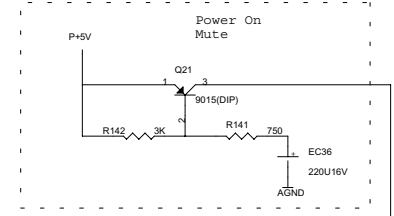
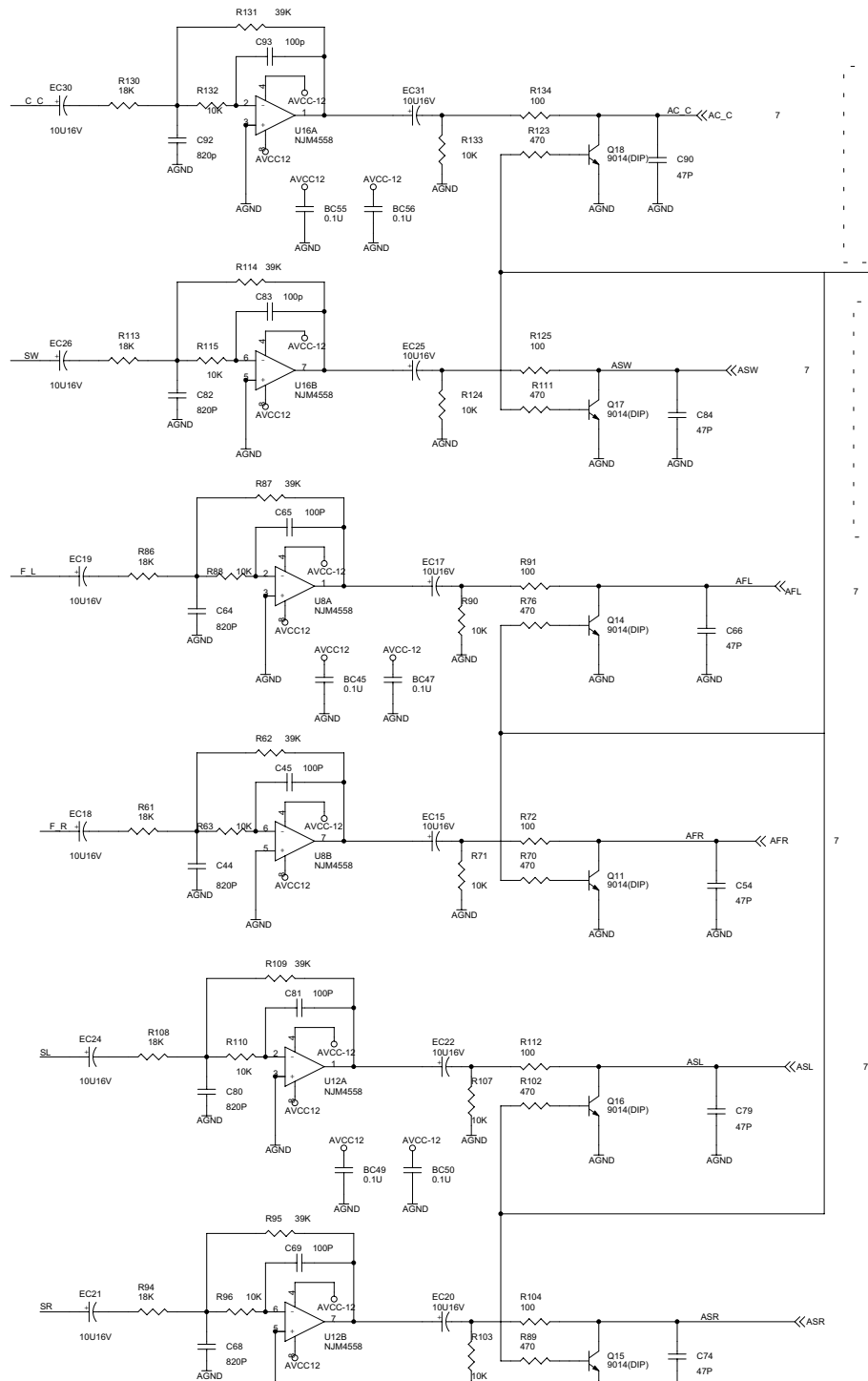
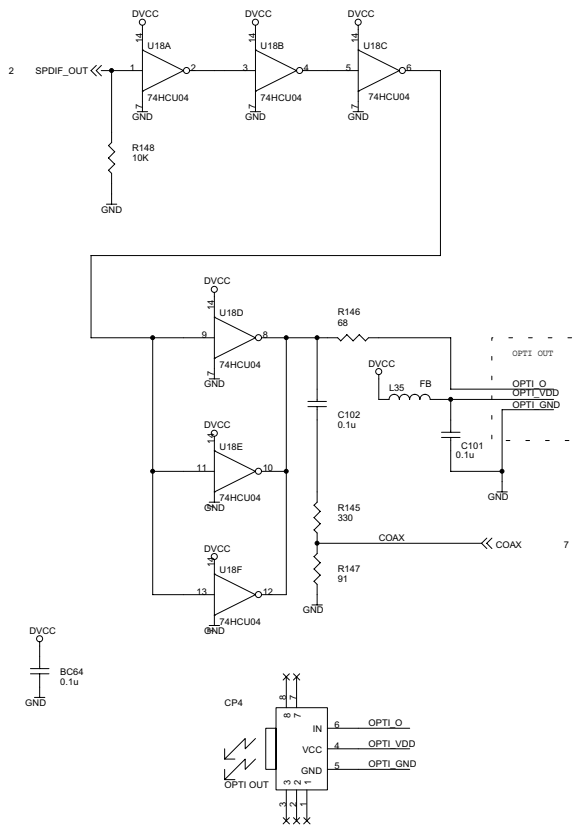
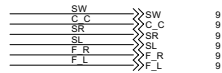
DRIVER MECANISMO E UNIDADE ÓTICA (PCI C/ CHIP SET 8202A)



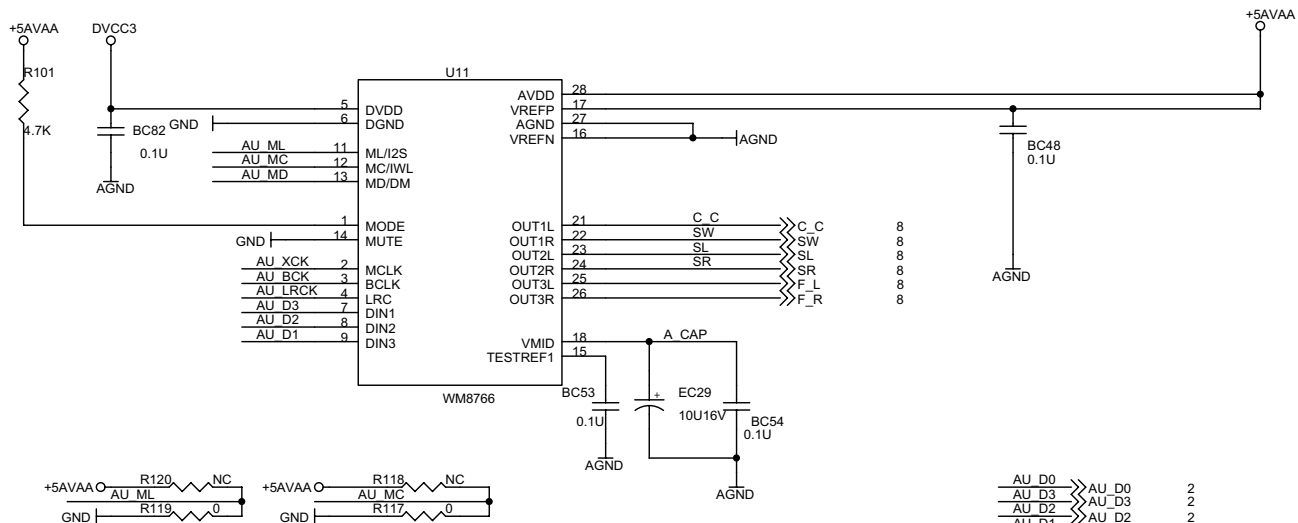
**BUFFER SINAL DE VÍDEO
(PCI C/ CHIP SET 8202A)**



CONECTORES E PINOS (PCI C/ CHIP SET 8202A)

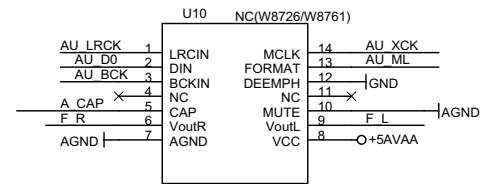


FILTROS DE ÁUDIO E MUTE
(PCI C/ CHIP SET 8202A)



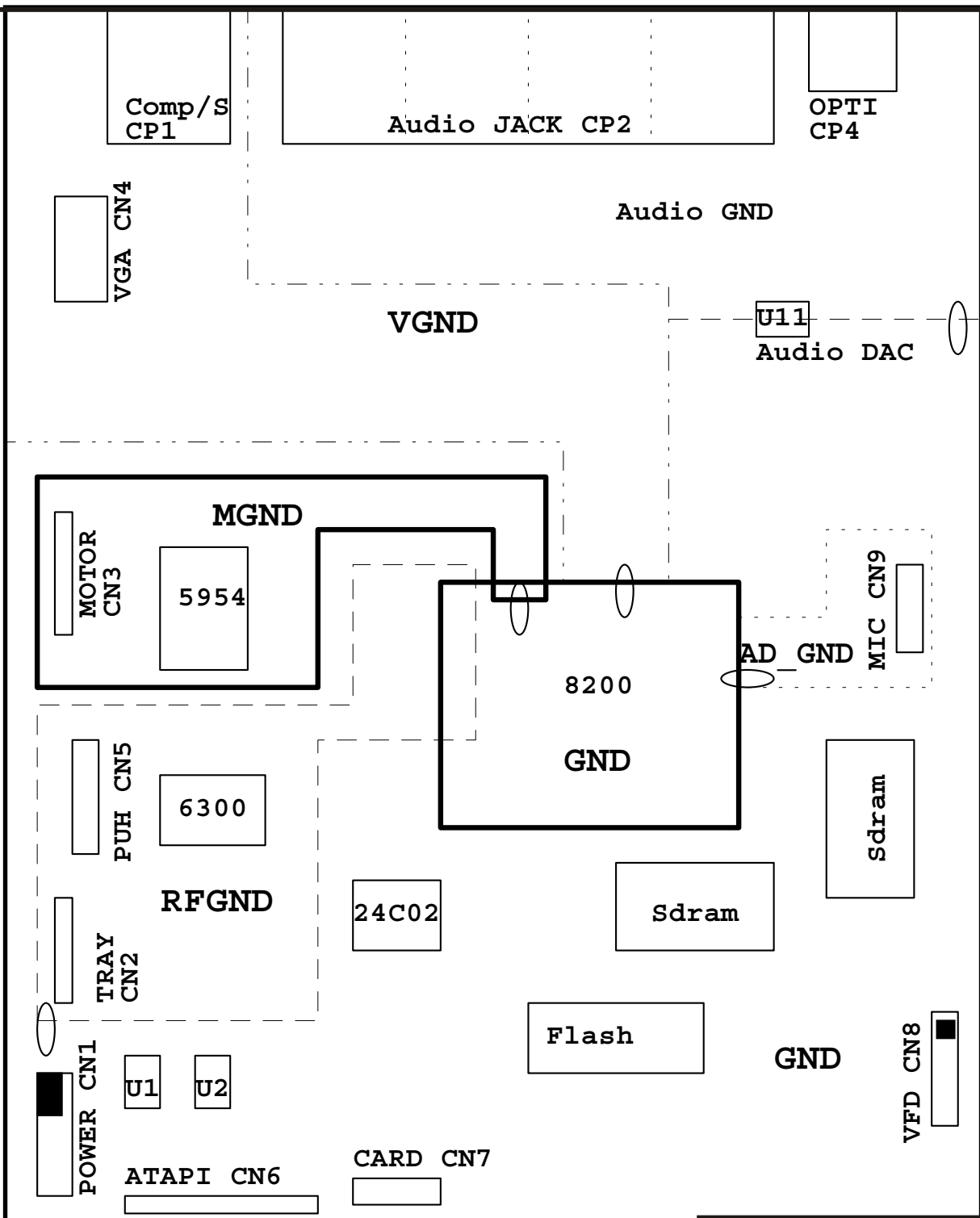
- AU_D0 >> AU_D0 2
- AU_D3 >> AU_D3 2
- AU_D2 >> AU_D2 2
- AU_D1 >> AU_D1 2
- AU_LRCK >> AU_LRCK 2
- AU_BCK >> AU_BCK 2
- AU_XCK >> AU_XCK 2

Audio Format:
 ML,MC=00=> RJ 24 bit
 ML,MC=01=> RJ 20 bit
 ML,MC=10=> I2S 16 bit
 ML,MC=11=> I2S 24 bit



AUDIO DAC (PCI C/ CHIP SET 8202A)

WM8726 Format Setting(AU_ML)
0:16 bits, Right justified
1:24 bits, I2S
WM8761 Format Setting(AU_ML)
0:24 bits, Right justified
1:24 bits, I2S

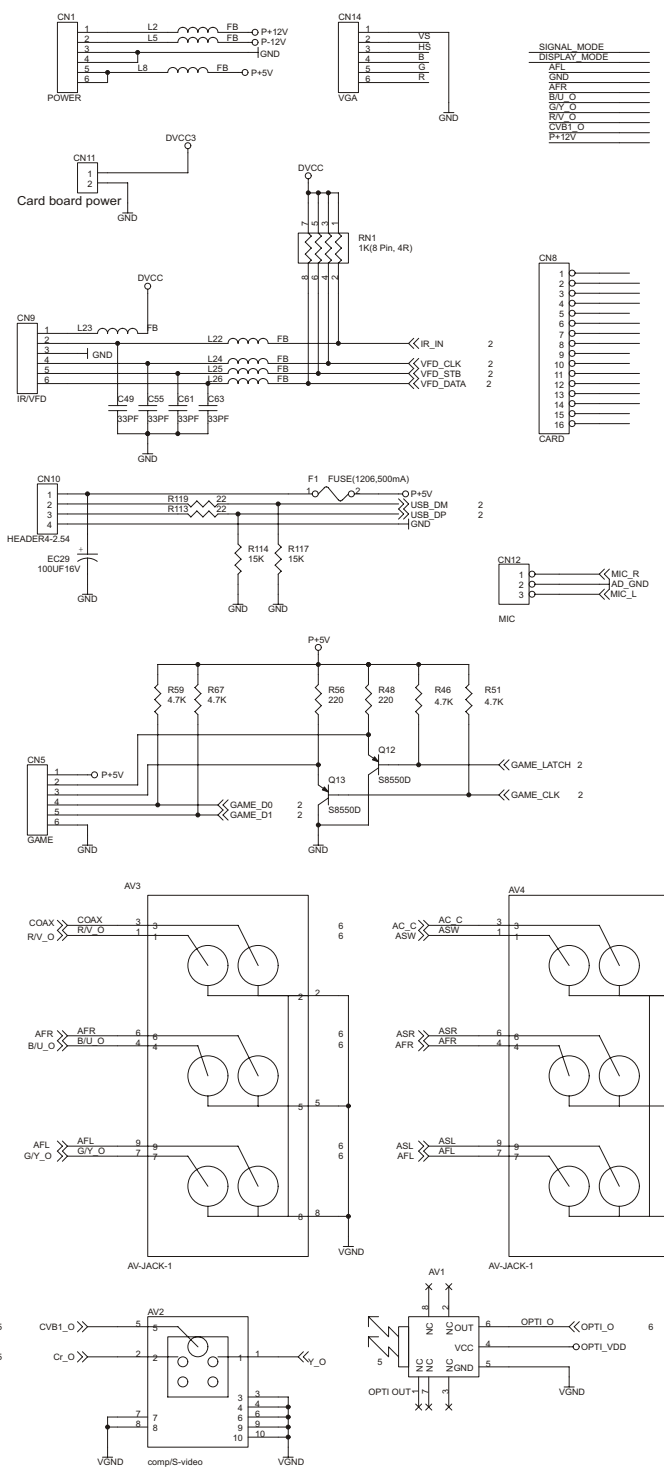
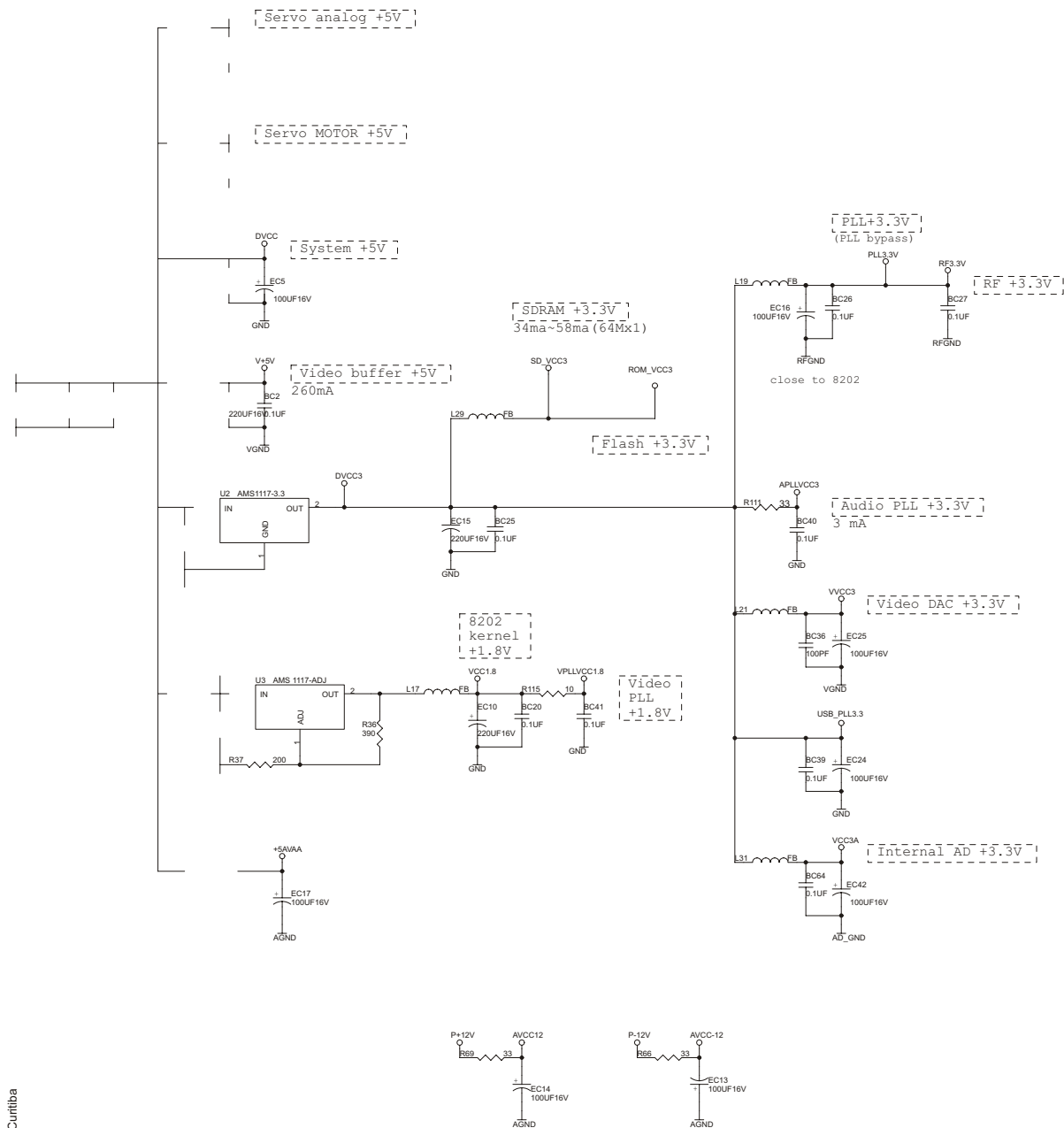


Audio Channel	Description
F_L	FRONT LEFT Channel
F_R	FRONT Right Channel
ASL	Surround Left Channel
ASR	Surround RIGHT Channel
AC_C	Center Channel
ASW	Sub-Woofer Channel
COAX	SPDIF COAX OUTPUT

Video Channel	Description
B/U_O	Video B or U output
G/Y_O	Video G or Y output
R/V_O	Video R or V output

LAYOUT PCI PRINCIPAL
EM DIAGRAMAS DE BLOCOS
(PCI C/ CHIP SET 8202A)

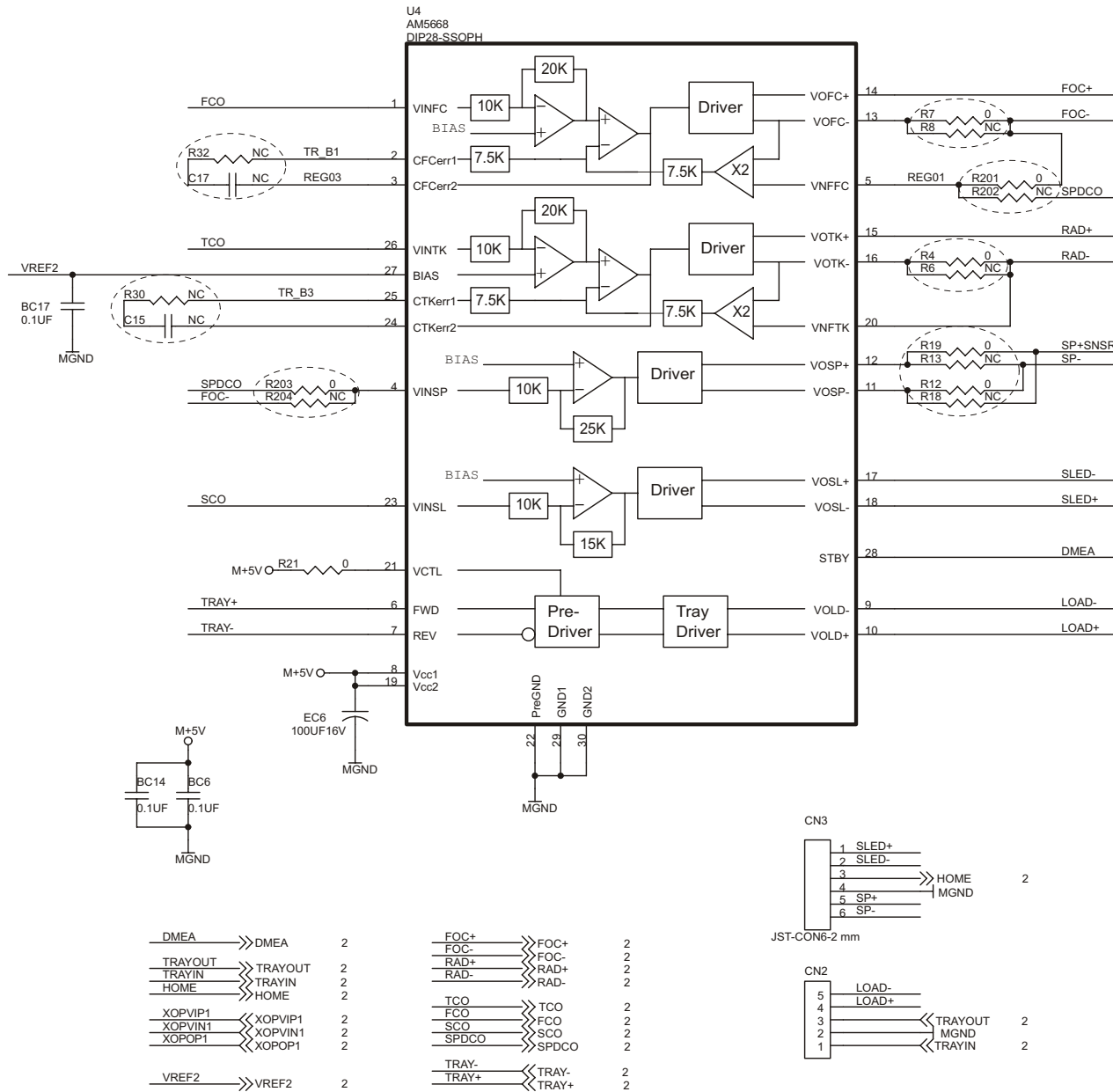
SAÍDA DE ÁUDIO E VÍDEO/ CONECTORES PCI PRINCIPAL (PCI C/ CHIP SET SPH8202D)



SIGNAL MODE	
DISPLAY MODE	
AFL	_____
AFR	_____
BIU_O	_____
GIY_O	_____
RVV_O	_____
SVBT_O	_____
PT12V	_____

CN8	
1	_____
2	_____
3	_____
4	_____
5	_____
6	_____
7	_____
8	_____
9	_____
10	_____
11	_____
12	_____
13	_____
14	_____
15	_____
16	_____

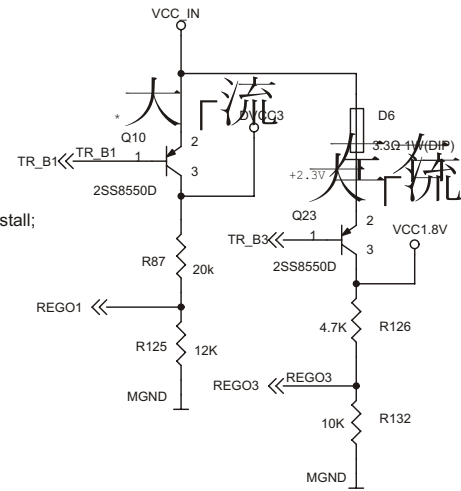
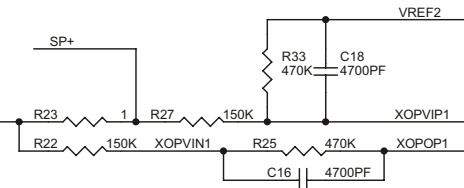
CN12	
1	_____
2	_____
3	_____



Motor Driver Parameter

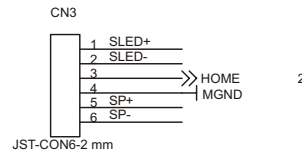
	R13	R19	R12	R18	R7	R8	R4	R6	R30	R32	C15	C17
AT5660 & AT5665	0	NC	NC	0	1	1	1	1	22K	22K	330p	330p
AM5668	NC	0	0	NC	0	NC	0	NC	NC	NC	NC	NC

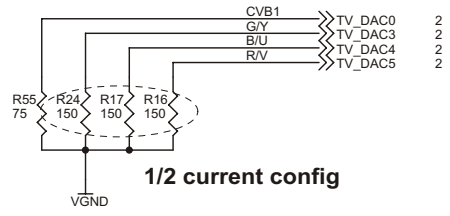
	R201	R202	R203	R204
AT5660 & AM5668	0	NC	0	NC
AT5665	NC	0	NC	0



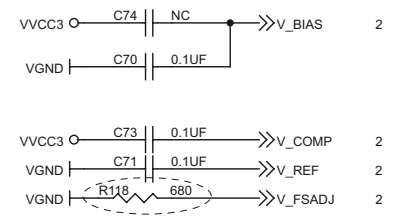
FOR USE AM5888S install;
uninstall U2 and U3

- DMEA >>> DMEA 2
- TRAYOUT >>> TRAYOUT 2
- TRAYIN >>> TRAYIN 2
- HOME >>> HOME 2
- XOPVIP1 >>> XOPVIP1 2
- XOPVIN1 >>> XOPVIN1 2
- XOPOP1 >>> XOPOP1 2
- VREF2 >>> VREF2 2
- FOC+ >>> FOC+ 2
- FOC- >>> FOC- 2
- RAD+ >>> RAD+ 2
- RAD- >>> RAD- 2
- TCO >>> TCO 2
- FCO >>> FCO 2
- SCO >>> SCO 2
- SPDCO >>> SPDCO 2
- TRAY- >>> TRAY- 2
- TRAY+ >>> TRAY+ 2



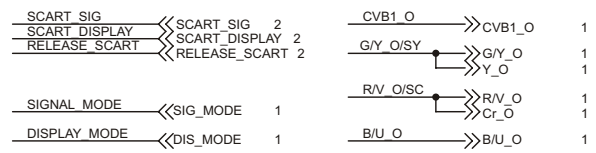
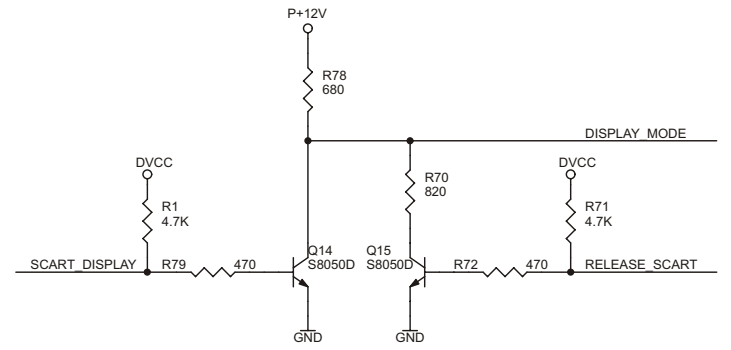
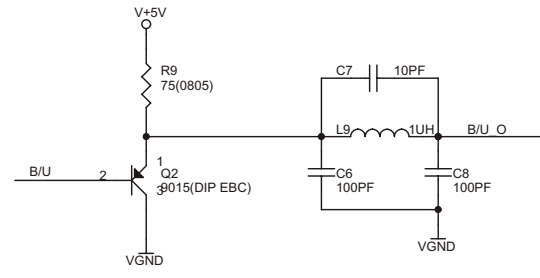
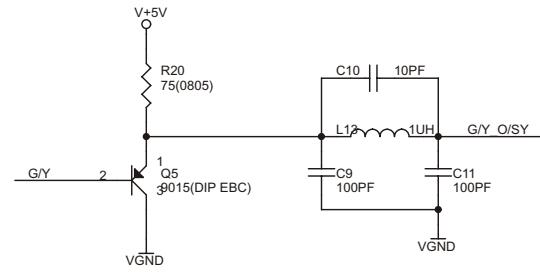
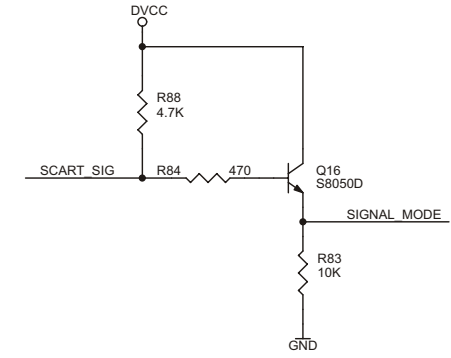
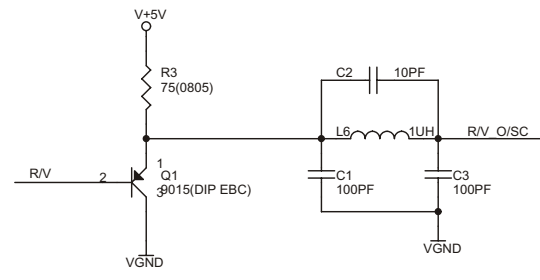
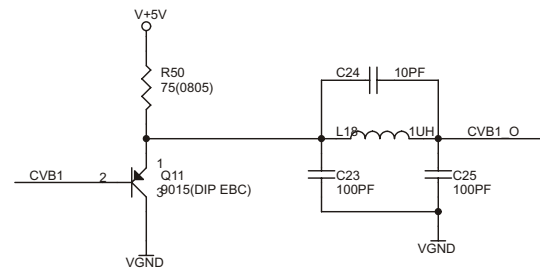


1/2 current config



1/2 current config

TV0	TV3	TV4	TV5
CVB	Y	Cb	Cr
CVB	Y (S-Video)	CVB	C (S-Video)
CVB	G	B	R



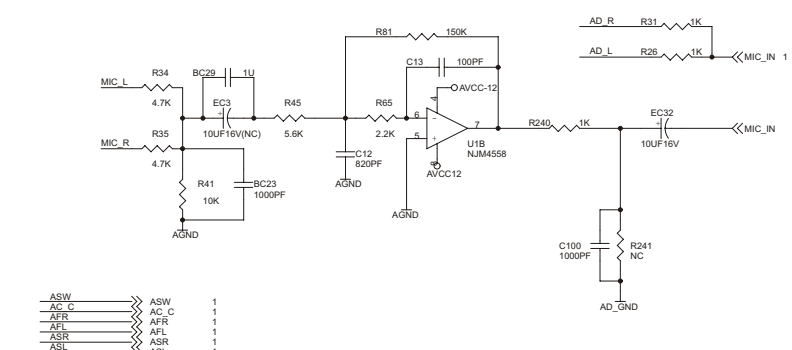
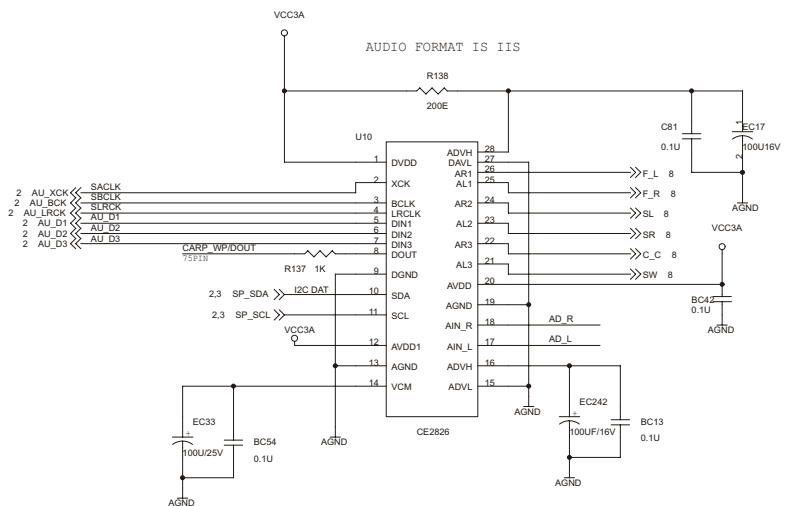
VIDEO DAC	R118	R169	R245	R246	R247	R16	R17	R24
Full Current	390	0	0	0	0	75	75	75
Half Current	680	NC	NC	NC	NC	150	150	150

SCART_SIG	SIGNAL_MODE
0	0V (CVBS)
1	3V (RGB)

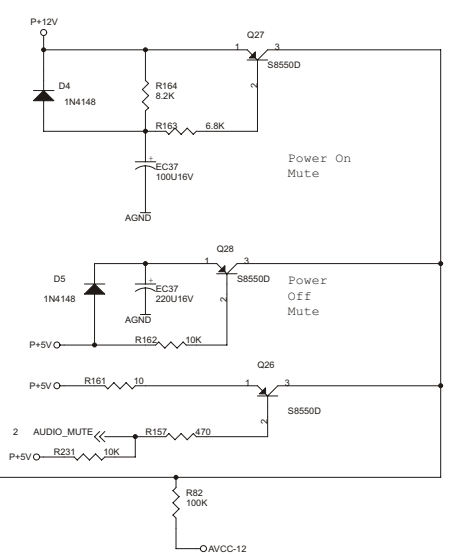
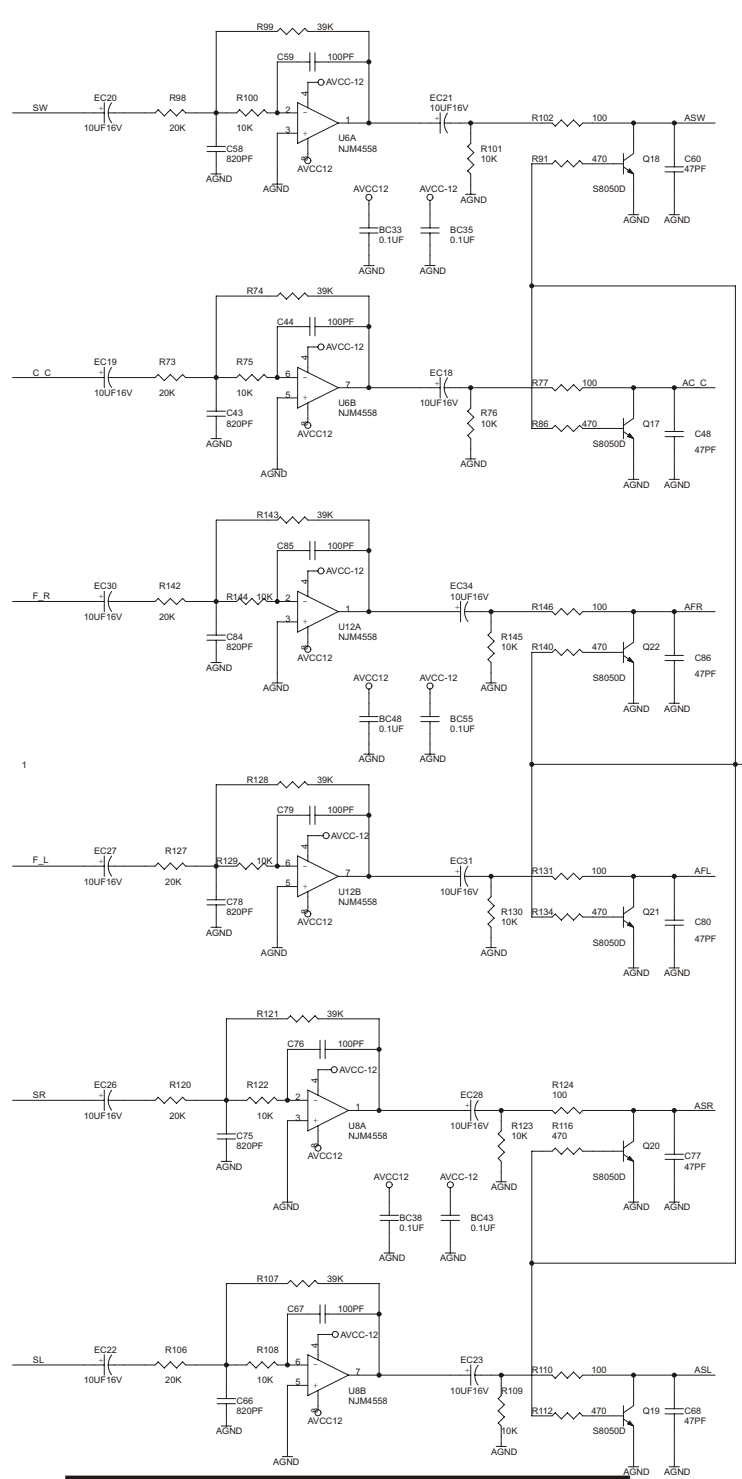
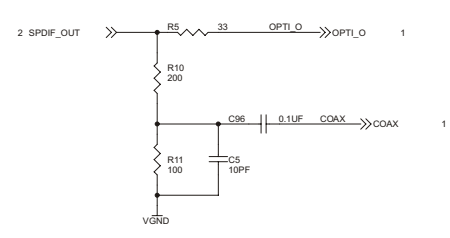
RELEASE_SCART	SCART_DISPLAY	DISPLAY_MODE
0	0	12V (9.5V--12V 4:3)
1	0	6V (5V--8V 16:9)
0	1	TV MODE (0~2V)

SINAL DE VIDEO
(PCI C/ CHIP SET SPH8202D)

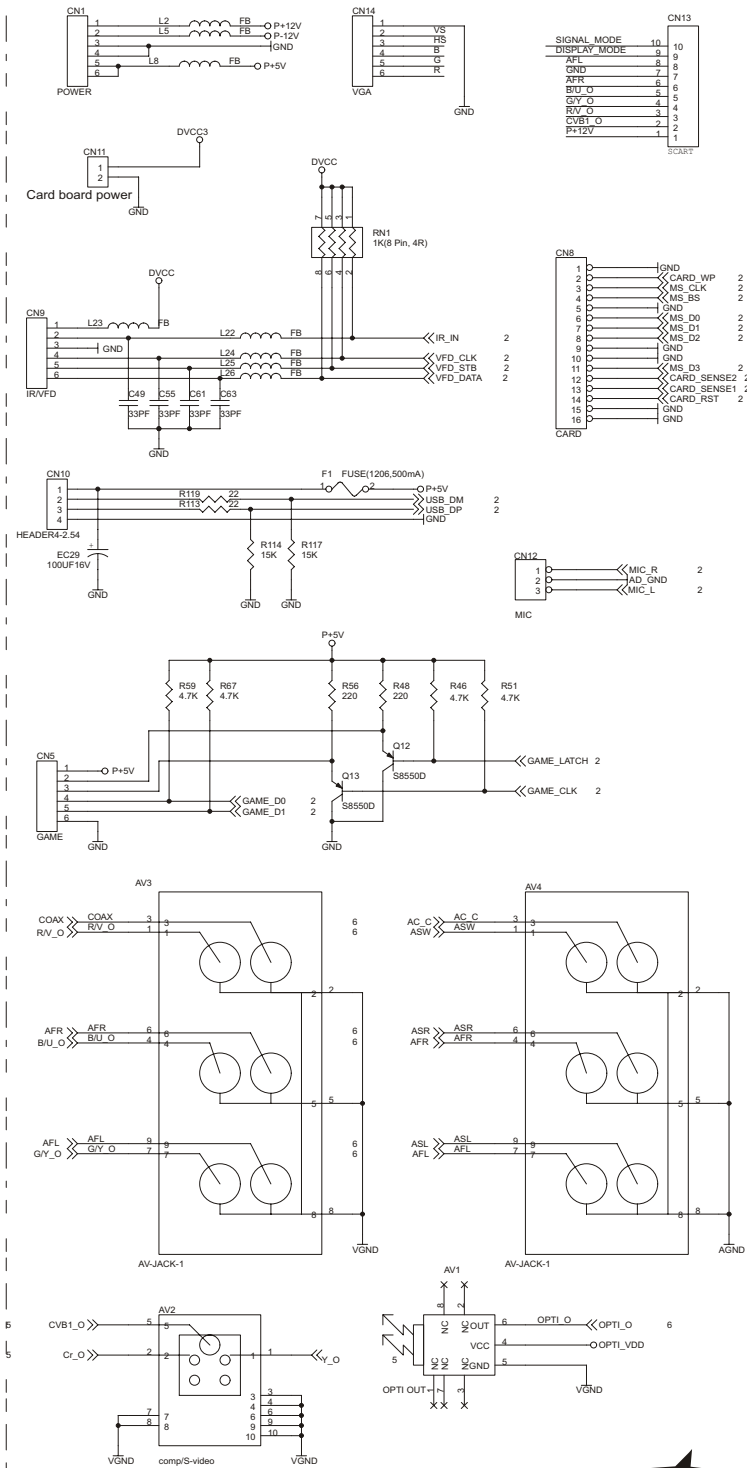
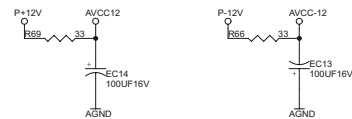
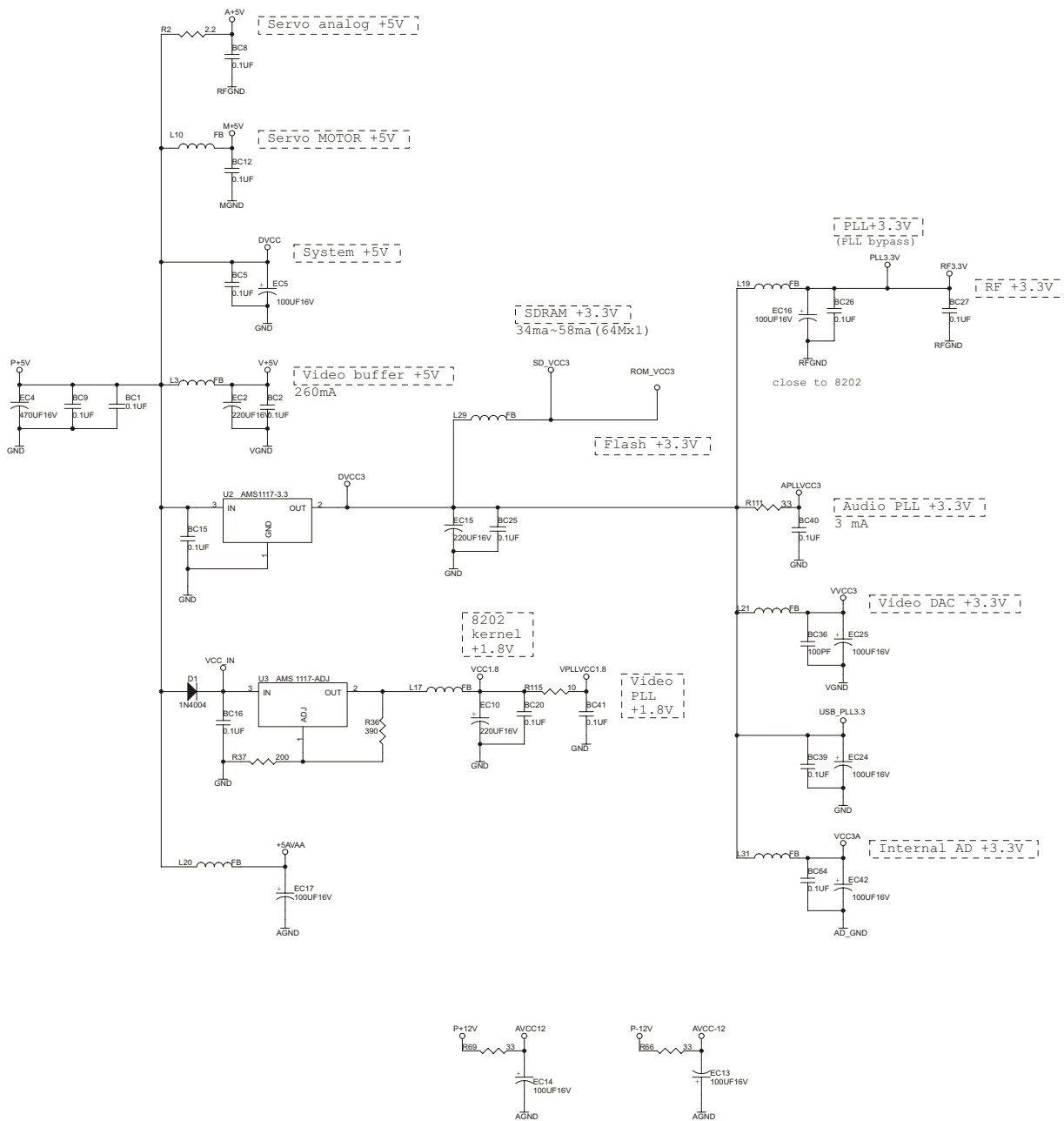
Saeffeld & Freitas / Curitiba



- | | | |
|---------|---------|---|
| ASW | ASW | 1 |
| AC_C | AC_C | 1 |
| AFR | AFR | 1 |
| AFL | AFL | 1 |
| ASR | ASR | 1 |
| ASL | ASL | 1 |
| | | |
| AU_D0 | AU_D0 | 2 |
| AU_D1 | AU_D1 | 2 |
| AU_D2 | AU_D2 | 2 |
| AU_LRCK | AU_LRCK | 2 |
| AU_BCK | AU_BCK | 2 |
| AU_XCK | AU_XCK | 2 |



FILTROS E AMPLIFICADORES DE ÁUDIO E MUTE (PCI C/ CHIP SET SPH8202D)

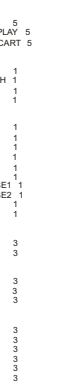
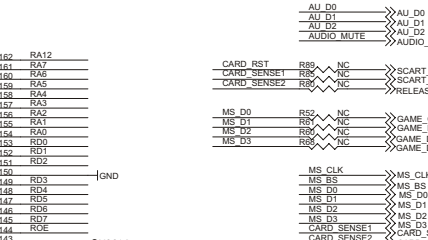
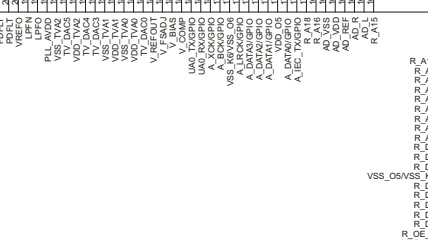
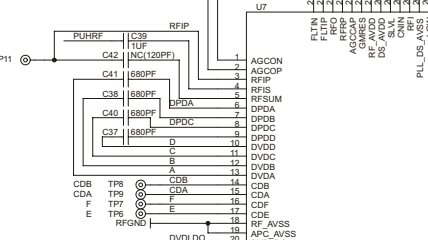
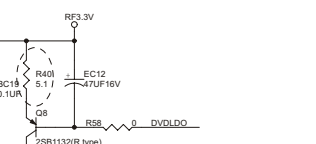
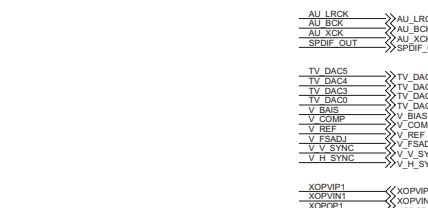
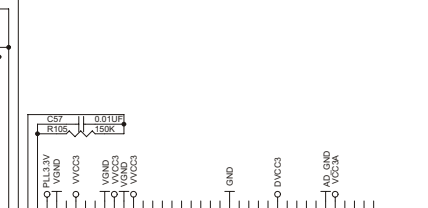
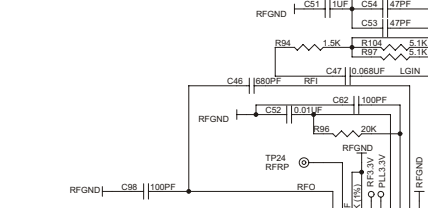
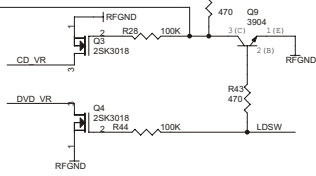
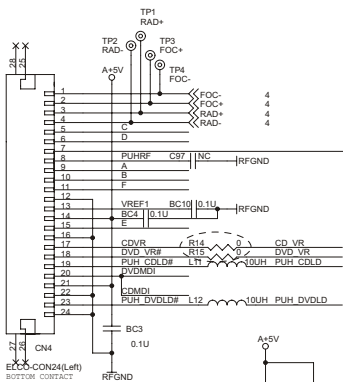


SIGNAL MODE	10	10
DISPLAY MODE	9	9
AFI	8	8
AFR	7	7
AFV	6	6
AFY	5	5
CVBT_O	4	4
CVBT_I	3	3
P+12V	2	2
	1	1

CARD	16	GND	
	15	GND	
	14	CARD_RST	2
	13	CARD_SENSE1	2
	12	CARD_SENSE2	2
	11	GND	
	10	GND	
	9	MS_D0	2
	8	MS_D1	2
	7	MS_D2	2
	6	MS_D3	2
	5	MS_D4	2
	4	MS_D5	2
	3	MS_D6	2
	2	MS_D7	2
	1	CARD_WP	2

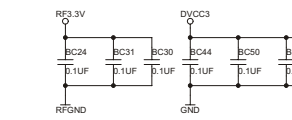
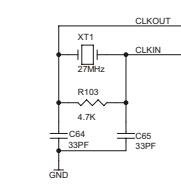
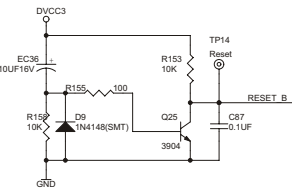
MIC	3	MIC_L	2
	2	AD_GND	
	1	MIC_R	2

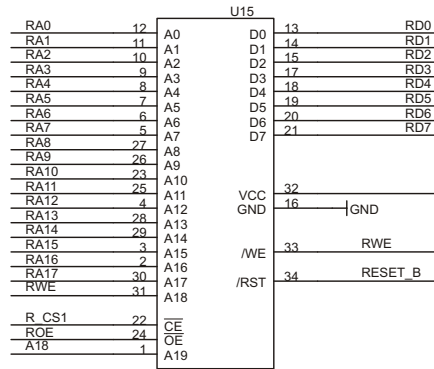
**SAÍDA DE ÁUDIO E VÍDEO/
 CONECTORES PCI PRINCIPAL
 (PCI C/ CHIP SET SPH8202S)**



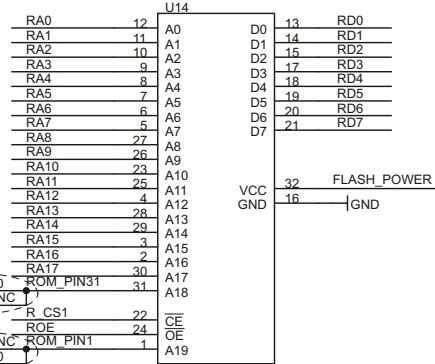
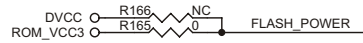
Pickup head parameter

	Motor Driver AM5668					Motor Driver AT5660							
	R40	R39	R14	R15	R53	R62	R63	C32	C33	R62	C32	R63	C33
Sony	4.7	4.7	0	0	2.2K	24K	1000P	68K	1000P	10K	1500P	39K	1000P
Sanyo	5.1	5.1	0	0	2.2K	33K	1000P	68K	1000P	20K	1000P	39K	1000P
Samsung	5.1	5.1	0	0	2.2K	12K	1500P	68K	1000P	3.3K	2700P	39K	1000P
Mitsumi	5.1	5.1	0	0	2.2K	12K	1500P	68K	1000P	3.3K	2700P	39K	1000P
Kenwood	5.1	5.1	0	0	4.7K	NOT SUPPORT	AM5668	NOW	8.2K	1500P	91K	1000P	
Thomson	5.1	5.1	240	0	2.2K	NOT SUPPORT	AM5668	NOW	3.3K	2700P	12K	1500P	



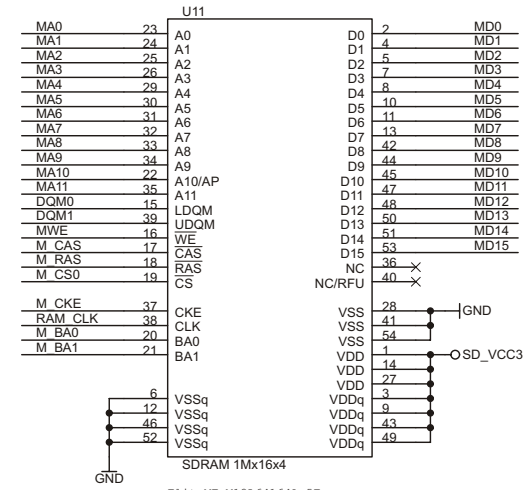


AM27C040/Flash MX29F040(PLCC)

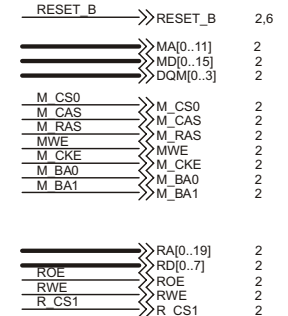
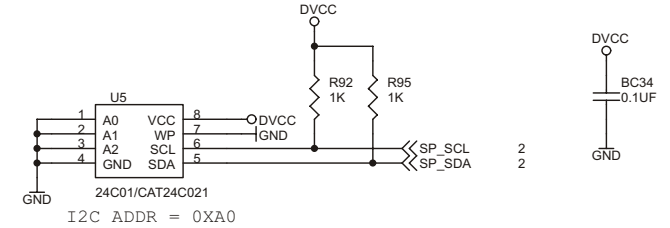
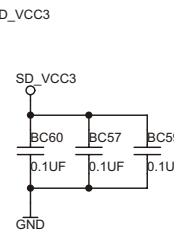
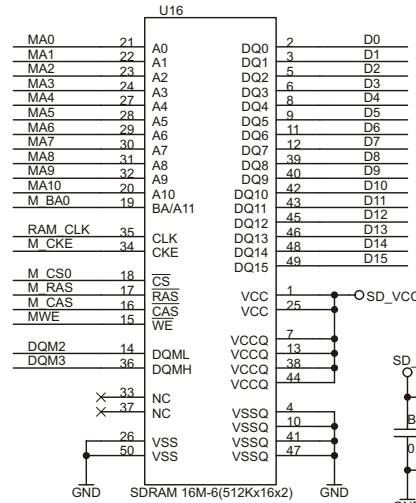
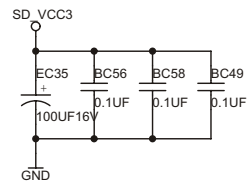
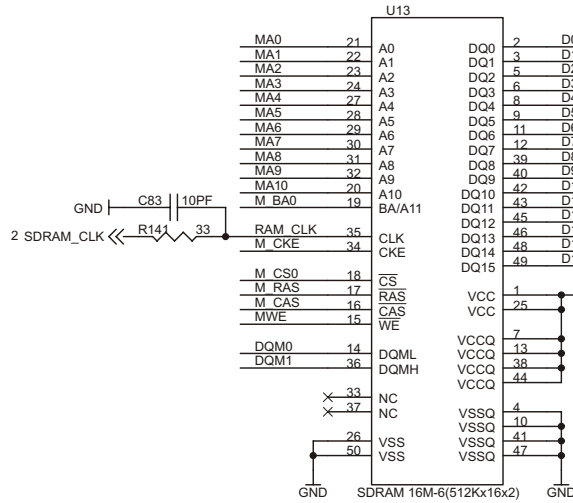


AM27C040/AM27c080(DIP)

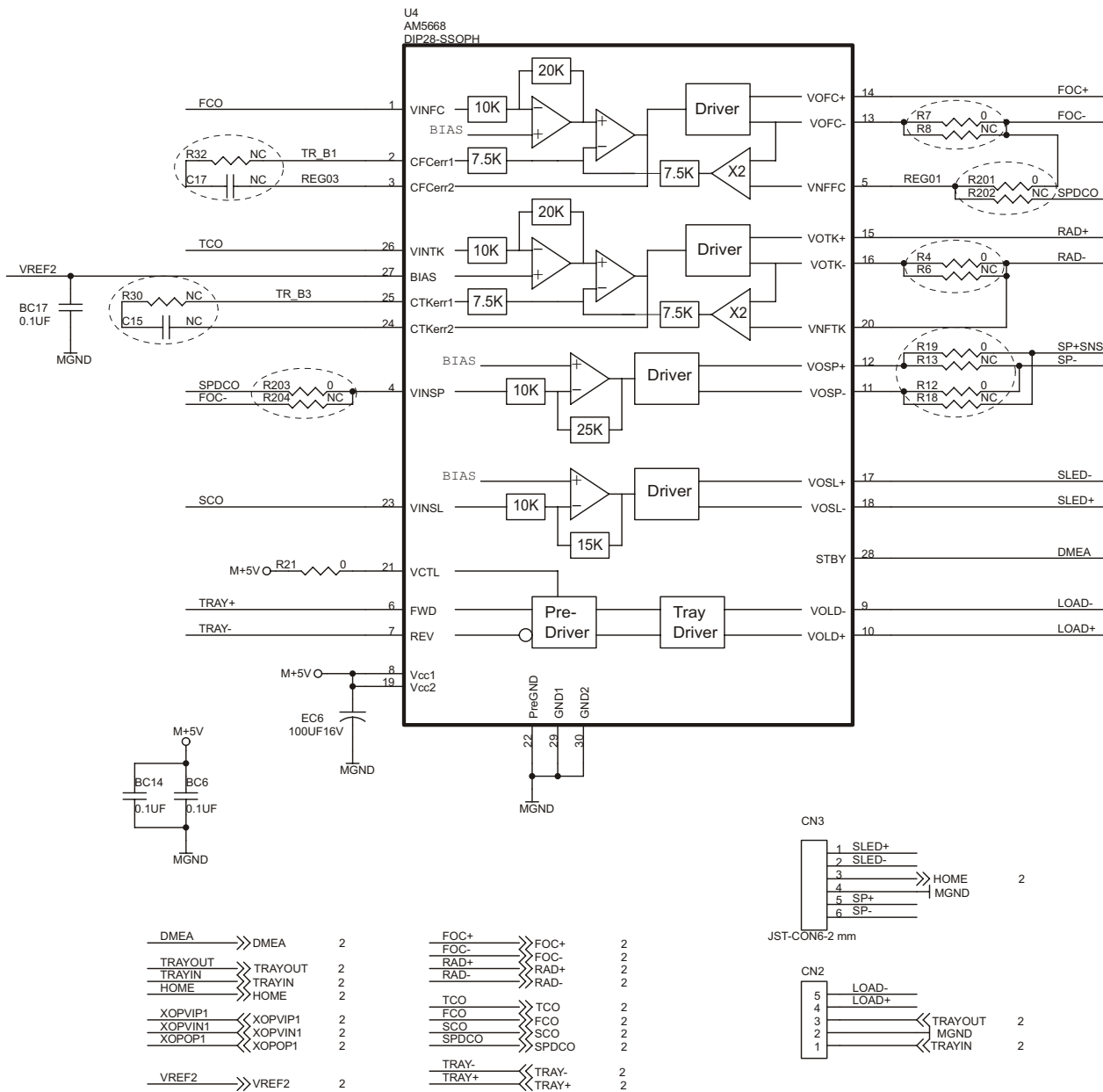
	R165	R166	R156	R159	R148	R154	R225
040 OTP	NC	0	0	NC	NC	NC	0
080 ROM	NC	0	0	NC	0	NC	NC
FLASH	0	NC	NC	0	NC	0	NC



SDRAM 1Mx16x4
EliteMT M12L64164A-5T
54-Pin TSOPII (400mil x 875mil)



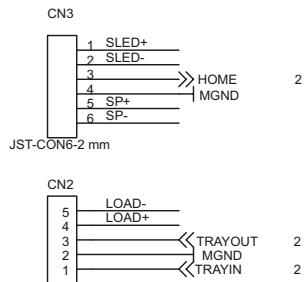
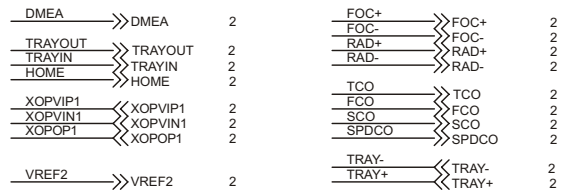
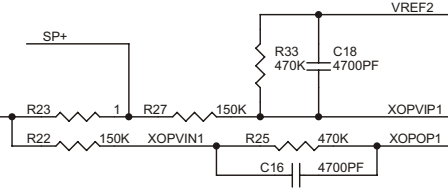
MEMÓRIAS FLASH E SD-RAM (PCI C/ CHIP SET SPH8202S)



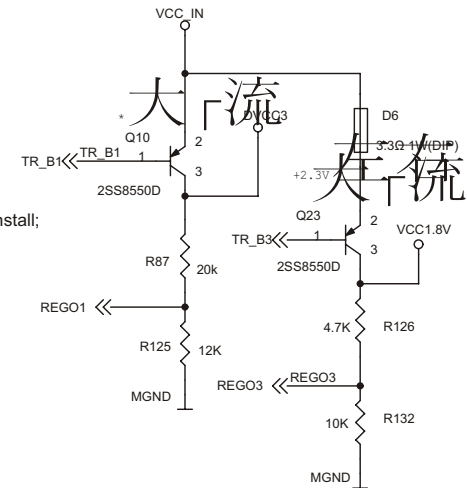
Motor Driver Parameter

	R13	R19	R12	R18	R7	R8	R4	R6	R30	R32	C15	C17
AT5660 & AT5665	0	NC	NC	0	1	1	1	1	22K	22K	330p	330p
AM5668	NC	0	0	NC	0	NC	0	NC	NC	NC	NC	NC

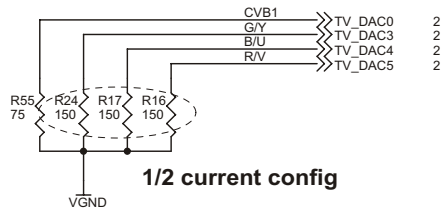
	R201	R202	R203	R204
AT5660 & AM5668	0	NC	0	NC
AT5665	NC	0	NC	0



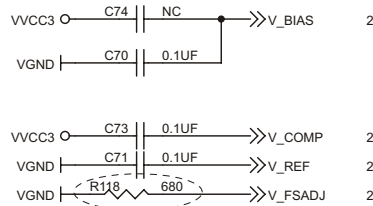
FOR USE AM5888S install;
uninstall U2 and U3



**DRIVER MECANISMO
E UNIDADE ÓTICA
(PCI C/ CHIP SET SPH8202S)**

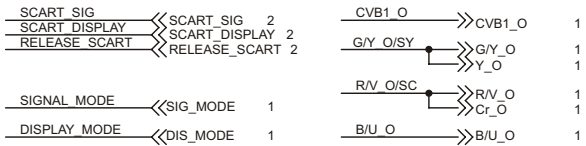
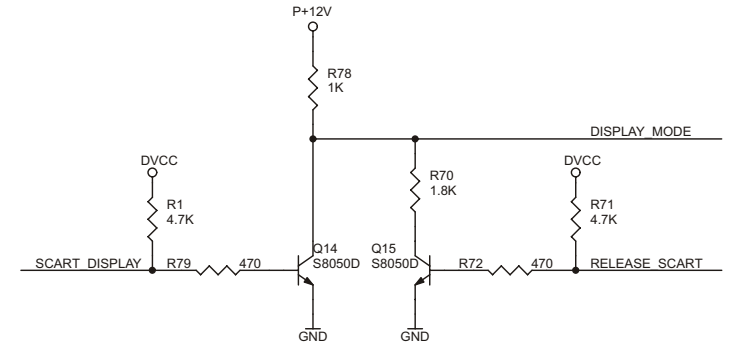
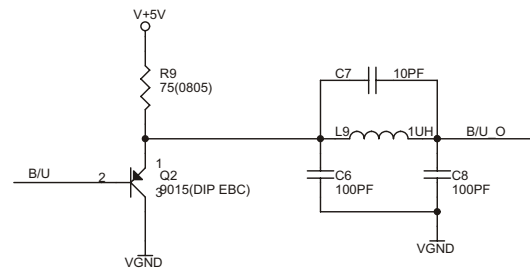
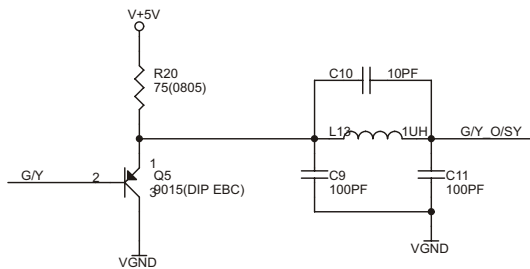
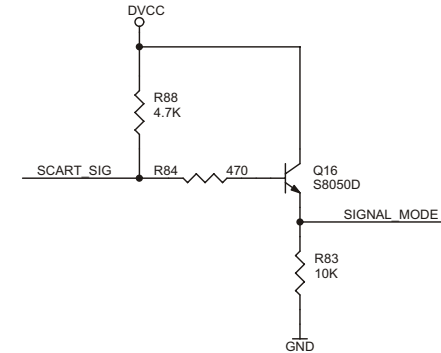
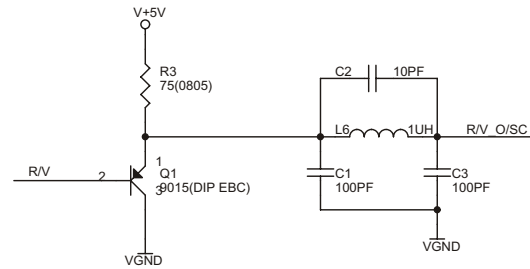
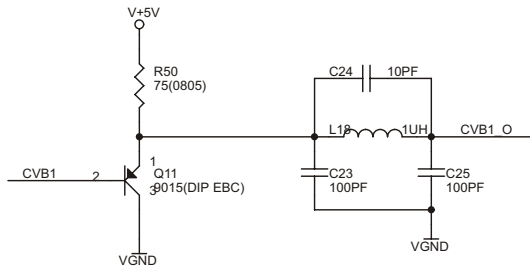


1/2 current config



1/2 current config

TV0	TV3	TV4	TV5
CVB	Y	Cb	Cr
CVB	Y (S-Video)	CVB	C (S-Video)
CVB	G	B	R

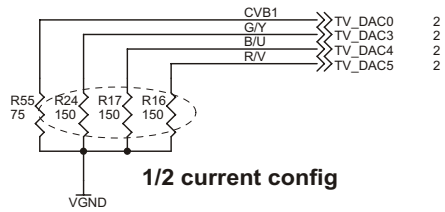


VIDEO DAC	R118	R169	R245	R246	R247	R16	R17	R24
Full Current	390	0	0	0	0	75	75	75
Half Current	680	NC	NC	NC	NC	150	150	150

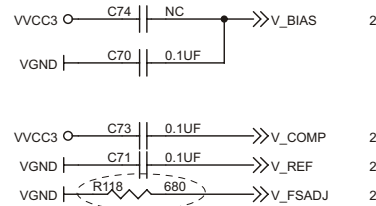
SCART_SIG	SIGNAL_MODE
0	0V (CVBS)
1	3V (RGB)

RELEASE_SCART	SCART_DISPLAY	DISPLAY_MODE
0	0	12V (9.5V--12V 4:3)
1	0	6V (5V--8V 16:9)
0	1	TV MODE (0~2V)

SINAL DE VIDEO
(PCI C/ CHIP SET SPH8202S)

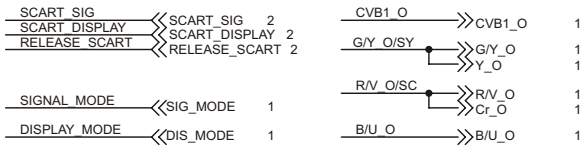
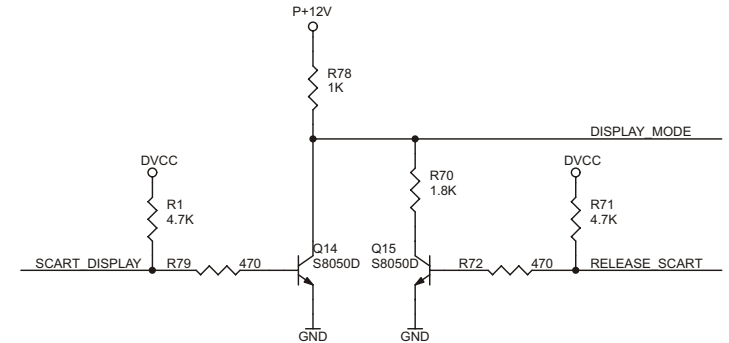
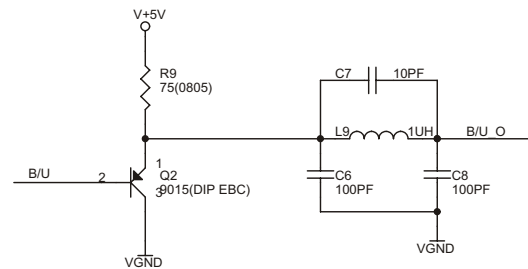
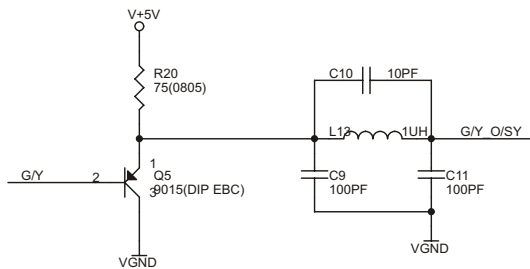
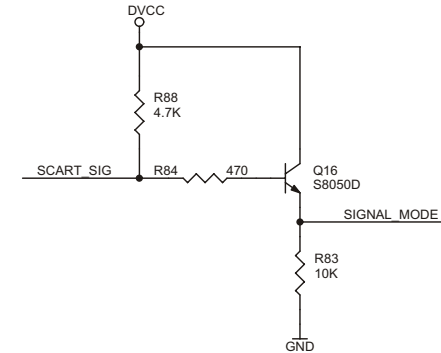
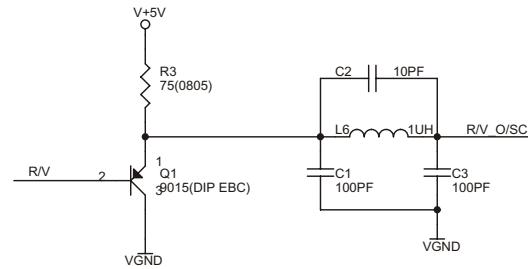
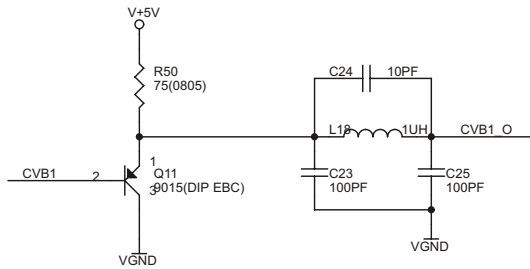


1/2 current config



1/2 current config

TV0	TV3	TV4	TV5
CVB	Y	Cb	Cr
CVB	Y (S-Video)	CVB	C (S-Video)
CVB	G	B	R

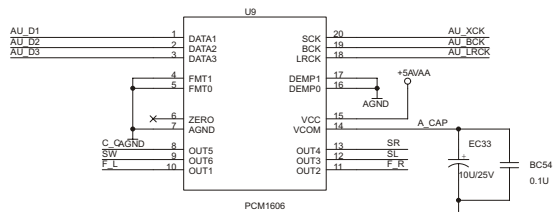


VIDEO DAC	R118	R169	R245	R246	R247	R16	R17	R24
Full Current	390	0	0	0	0	75	75	75
Half Current	680	NC	NC	NC	NC	150	150	150

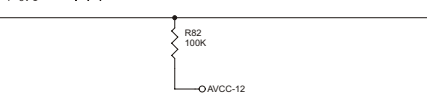
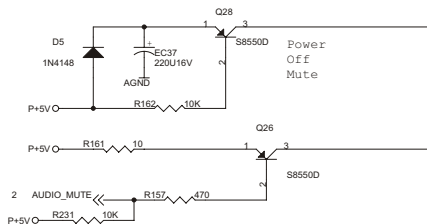
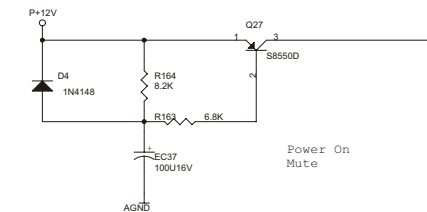
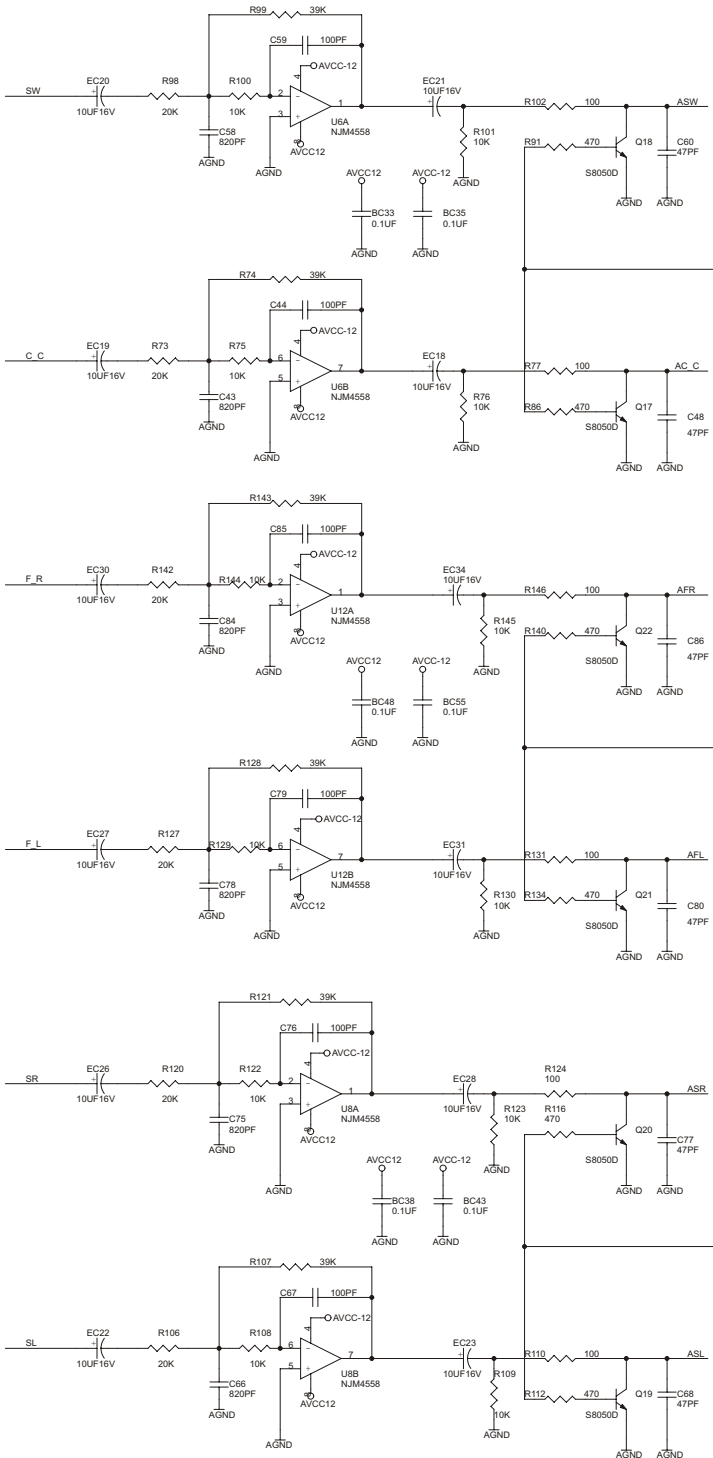
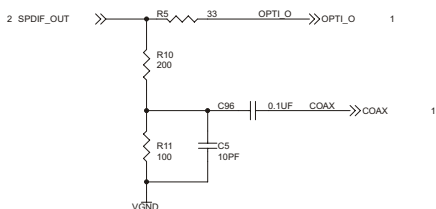
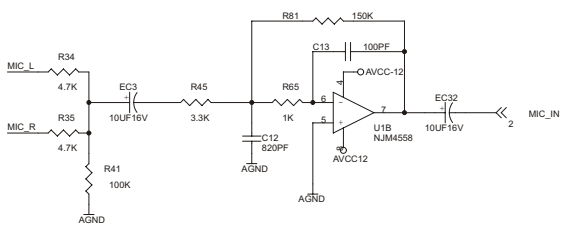
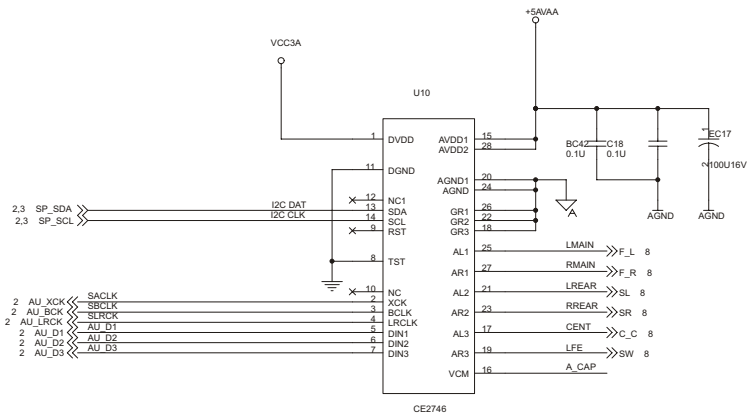
SCART_SIG	SIGNAL_MODE
0	0V (CVBS)
1	3V (RGB)

RELEASE_SCART	SCART_DISPLAY	DISPLAY_MODE
0	0	12V (9.5V--12V 4:3)
1	0	6V (5V--8V 16:9)
0	1	TV MODE (0~2V)

SINAL DE VIDEO
(PCI C/ CHIP SET SPH8202S)



AUDIO FORMAT IS IIS



FILTROS E AMPLIFICADORES DE ÁUDIO E MUTE (PCI C/ CHIP SET SPH8202S)