

# DVD MATRIX 7

**BRITANIA** *image.*

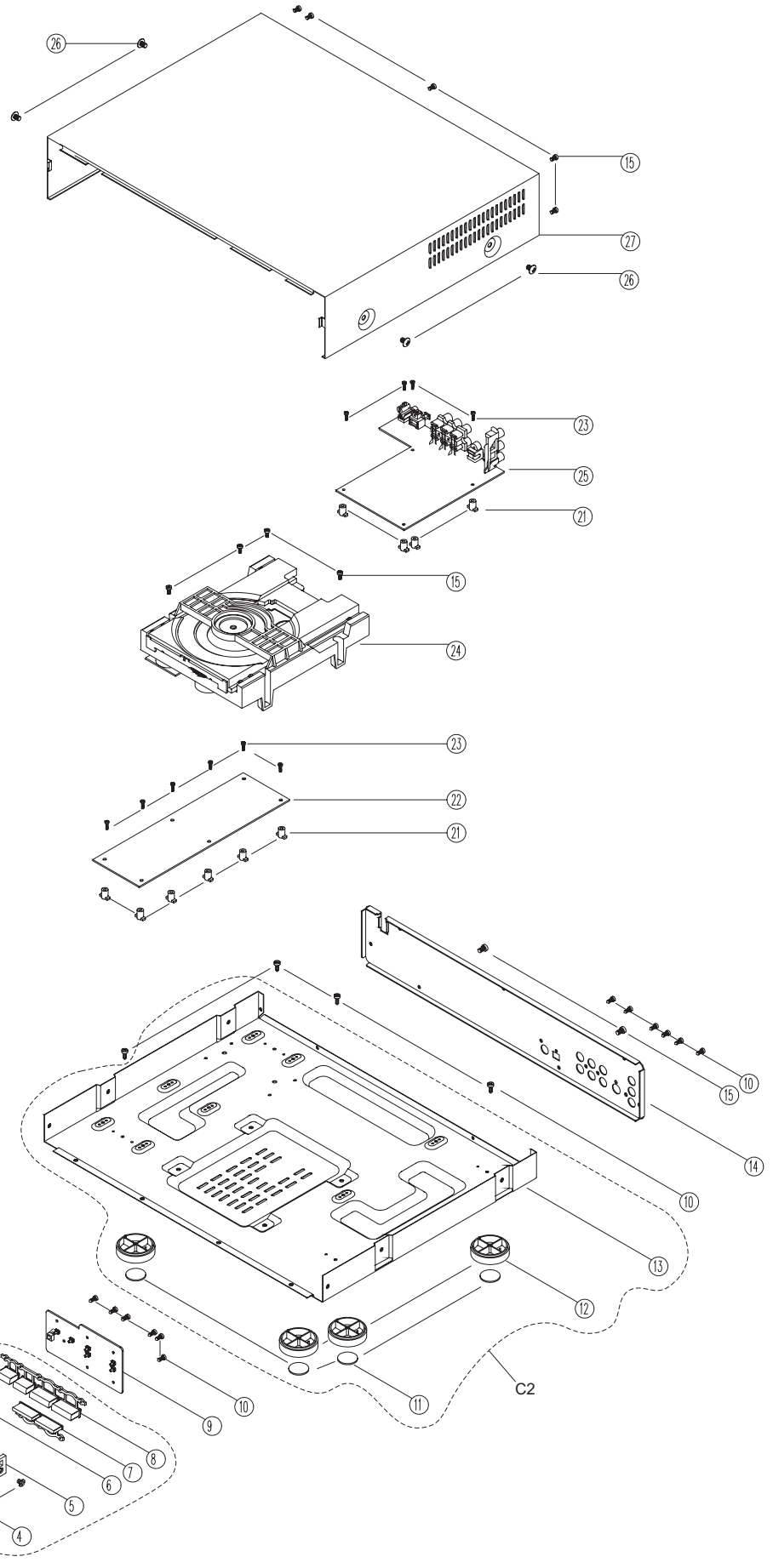
## MANUAL DE SERVIÇO MATRIX 7



Departamento de Assistência Técnica Britânia S/A.

Mar/04

# VISTA EXPLODIDA



CÓDIGO DO PRODUTO  
**068010**

### Lista de Peças da Vista Explodida MATRIX 7

Descrição	Código	Localização
BOTAO POWER MATRIX7	701681	17
BOTOES OPEN/CLOSE-PAUSE-STOP-PLAY MATRIX7	701680	8
BOTOES PREVIOUS/NEXT MATRIX7	701679	7
GABINETE FRONTAL COMPLETO MATRIX7	701684	C1
GABINETE FRONTAL MATRIX7	701688	5
GABINETE INFERIOR COMPLETO MATRIX7	701675	C2
GABINETE SUPERIOR MATRIX7	701673	27
GABINETE TRASEIRO MATRIX7	701674	14
MECANISMO DVD KHM234	701669	24
MOLA ESQUERDA TAMPA MATRIX7	701676	3
PCI FONTE MATRIX7	701683	22
PCI LEDS MATRIX7	701682	19
PCI PRINCIPAL MATRIX7	701630	25
PCI TECLADO MATRIX7	701631	9
TAMPA GAVETA DVD MATRIX7	701678	2

OBS.: As peças não relacionadas, para as quais não consta código aqui ou na lista de material elétrico, não serão fornecidas.

### Lista de Peças Elétricas MATRIX 7

Descrição	Código	V. Explodida
CAP. ELETR. 470uF X 16V ( fonte chav - C12)	701751	
CAP. ELETR. 1000uF X 16V ( fonte chav - C14 e 21)	701752	
CAPACITOR ELETROLITICO 47uF X 400V	701755	
CHAVE LEAF LS-201V	701667	
CHAVE PUSH KDC-A04 ( POWER)	701666	
CIRC. INT. BA5954	701640	
CIRC. INT. BA6208	701641	
CIRC. INT. CS4340	701637	
CIRC. INT. CS4955	701639	
CIRC. INT. EL817	701633	
CIRC. INT. G960T63U	701634	
CIRC. INT. HT24LC02	701643	
CIRC. INT. MT1336	701635	
CIRC. INT. SN74HCU04	701646	
CIRC. INT. TJM4558	701638	
CIRC. INT. TL431	701632	
CONTROLE REMOTO MATRIX7	701687	
CORDAO ELETRICO DVD	701613	
CRISTAL THT 27MHz	701660	
DIODO 1N5818	700099	
DIODO HER107	701654	
DIODO INFRAVERMELHO FT-53C	701657	
DIODO SR360	701655	
DIODO ZENER 18V BZX55C18 ( ZD1)	701658	
EMBALAGEM MATRIX7	701685	
FLAT CABLE MATRIX7	701653	
MANUAL USUARIO MATRIX7	701686	
MECANISMO DVD KHM234	701669	24
MEMÓRIA 4Mx16 SDRAM	701645	
RECEPTOR INFRAVERMELHO FT1838/FPS-6038	701659	
TACT SWITCH 4 PIN 6x6x7mm	701665	
TRANSFORMADOR DC EI33	701652	
TRANSISTOR KSP2222A	701647	
TRANSISTOR MOSFET 2SK2717	701648	
TRANSISTOR S8050	701650	

OBS.: As peças não relacionadas, para as quais não consta código aqui ou na lista de material elétrico, não serão fornecidas.

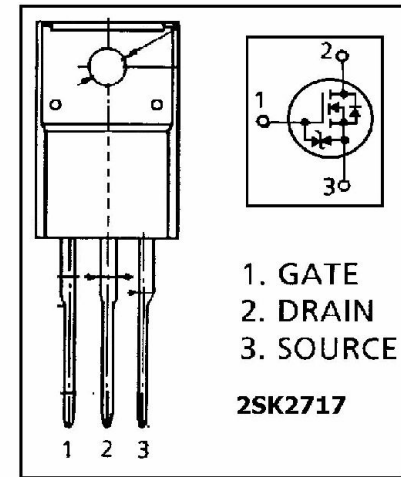
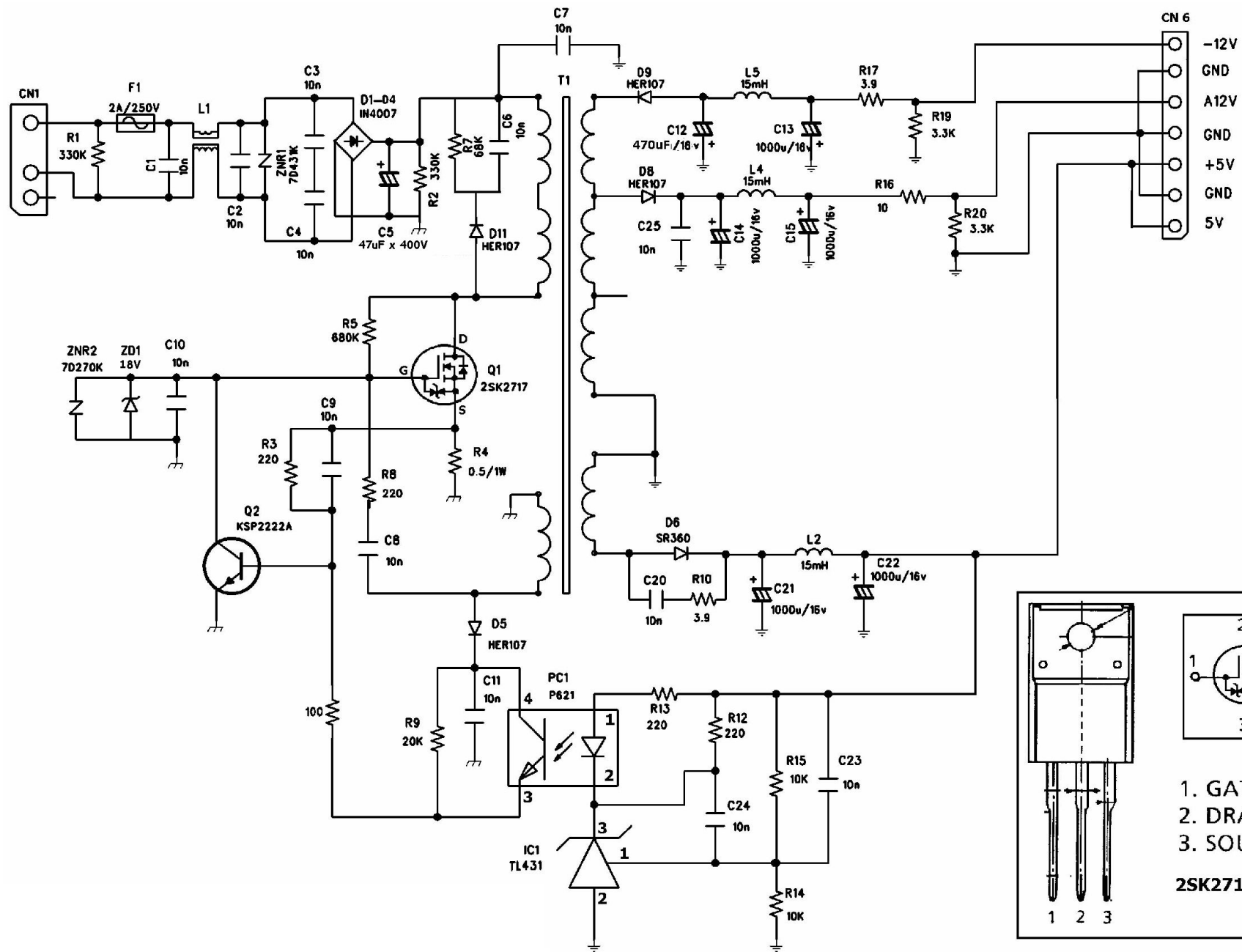
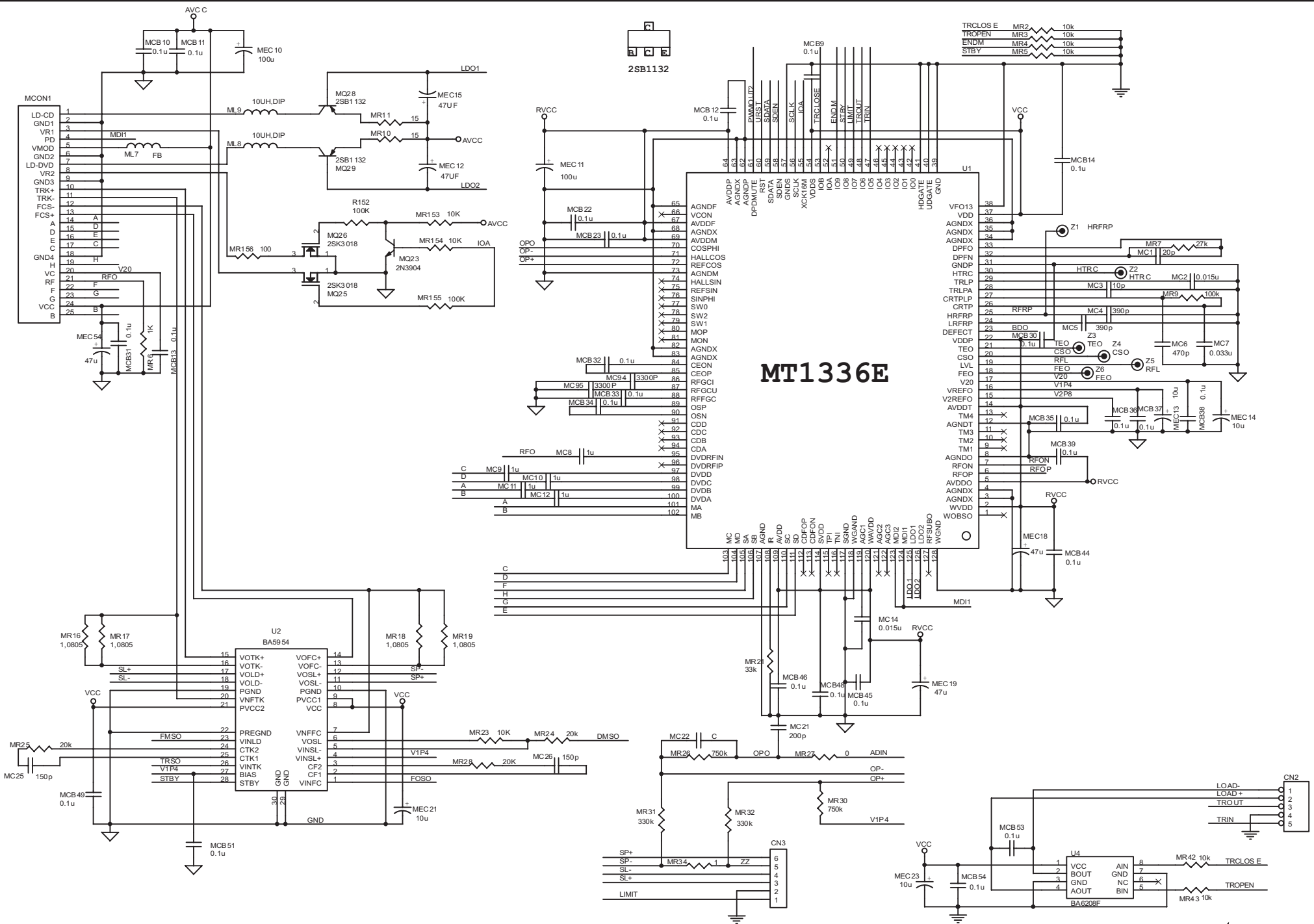


DIAGRAMA ESQUEMÁTICO  
DA FONTE  
DVD MATRIX 7

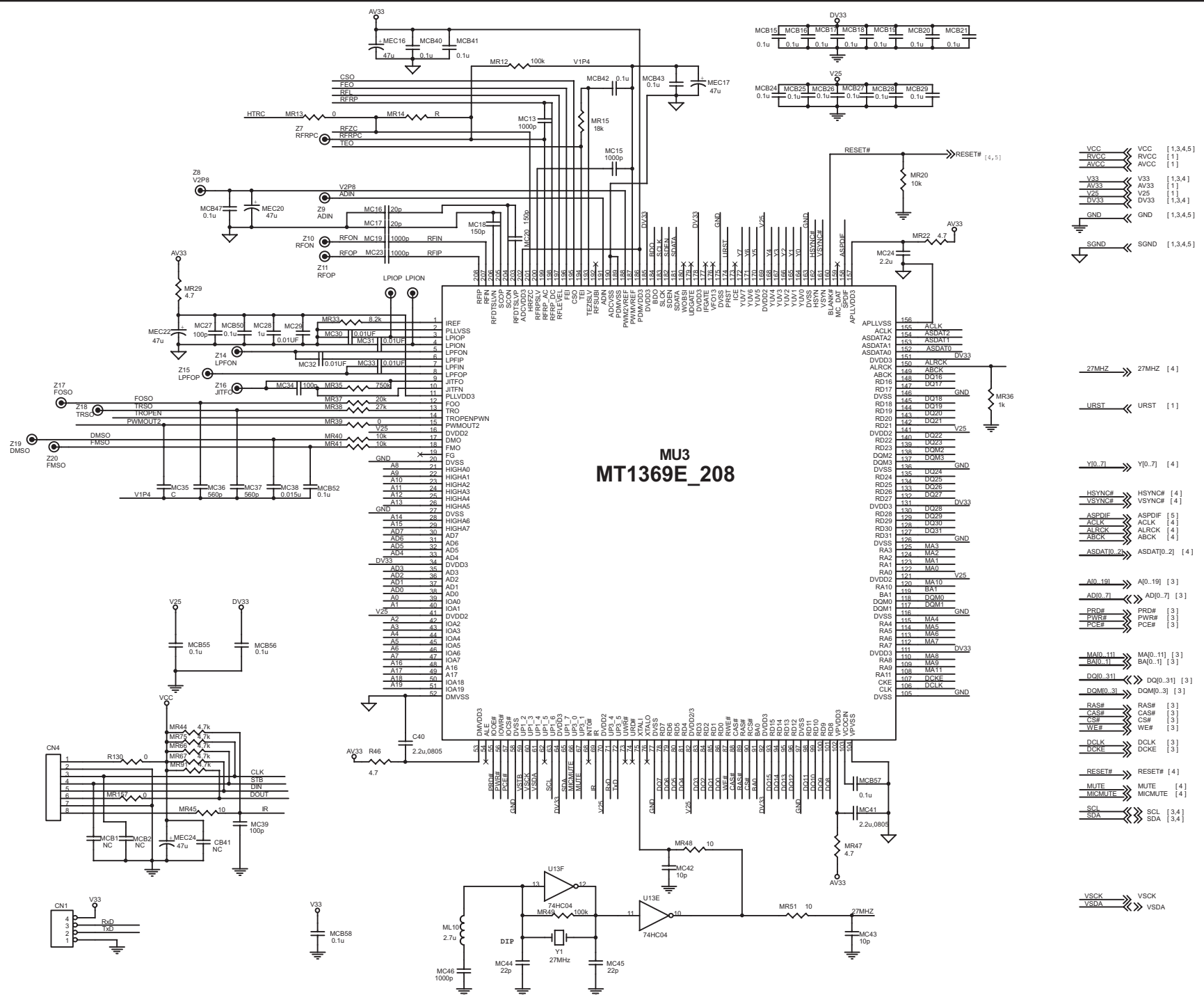


Saalfeld & Freitas / Curitiba

fev/2005

# DVD MATRIX 7

**BRITANIA**  
ASSISTÊNCIA TÉCNICA



**MU3  
MT1369E\_208**

1	IREF	156	APLLVSS
2	PLLVS	155	ACLK
3	LPIOP	154	ASDA2#
4	LPION	153	ASDA1#
5	LPIOP	152	ASDA10
6	LPIOP	151	ASDA10
7	LPIOP	150	ALRCK
8	LPIOP	149	ABCK
9	LPIOP	148	DO18
10	JITFO	147	DO17
11	JITFN	146	DO18
12	PLLVD03	145	DO18
13	FCO	144	DO19
14	TRO	143	DO20
15	TROPENPWN	142	DO21
16	PWMOUT2	141	DO22
17	DVDD2	140	DO22
18	DMO	139	DO23
19	FMO	138	DO22
20	FG	137	DO25
21	DVSS	136	DO28
22	HIGHA0	135	DO28
23	HIGHA1	134	DO25
24	HIGHA2	133	DO28
25	HIGHA3	132	DO25
26	HIGHA4	131	DO27
27	HIGHA5	130	DO28
28	HIGHA6	129	DO29
29	DVSS	128	DO30
30	HIGHA7	127	DO31
31	AD7	126	MA3
32	AD6	125	MA3
33	AD5	124	MA2
34	AD4	123	MA1
35	AD3	122	MA0
36	AD2	121	MA0
37	AD1	120	MA10
38	AD0	119	BA1
39	AD0	118	DQM0
40	AD0	117	DQM1
41	IOA0	116	DQM0
42	IOA1	115	MA3
43	IOA2	114	MA3
44	IOA3	113	MA3
45	IOA4	112	MA7
46	IOA5	111	MA8
47	IOA6	110	MA9
48	IOA7	109	MA10
49	A16	108	MA11
50	A17	107	DCKE
51	IOA18	106	DCLK
52	IOA19	105	CLK
53	DMVSS	104	VPASS
54	DMVDD3	103	VCCDN
55	ALE	102	VPASS
56	DOBEF	101	DOBEF
57	DOBEF	100	DOBEF
58	DOBEF	99	DOBEF
59	DOBEF	98	DOBEF
60	DOBEF	97	DOBEF
61	DOBEF	96	DOBEF
62	DOBEF	95	DOBEF
63	DOBEF	94	DOBEF
64	DOBEF	93	DOBEF
65	DOBEF	92	DOBEF
66	DOBEF	91	DOBEF
67	DOBEF	90	DOBEF
68	DOBEF	89	DOBEF
69	DOBEF	88	DOBEF
70	DOBEF	87	DOBEF
71	DOBEF	86	DOBEF
72	DOBEF	85	DOBEF
73	DOBEF	84	DOBEF
74	DOBEF	83	DOBEF
75	DOBEF	82	DOBEF
76	DOBEF	81	DOBEF
77	DOBEF	80	DOBEF
78	DOBEF	79	DOBEF
79	DOBEF	78	DOBEF
80	DOBEF	77	DOBEF
81	DOBEF	76	DOBEF
82	DOBEF	75	DOBEF
83	DOBEF	74	DOBEF
84	DOBEF	73	DOBEF
85	DOBEF	72	DOBEF
86	DOBEF	71	DOBEF
87	DOBEF	70	DOBEF
88	DOBEF	69	DOBEF
89	DOBEF	68	DOBEF
90	DOBEF	67	DOBEF
91	DOBEF	66	DOBEF
92	DOBEF	65	DOBEF
93	DOBEF	64	DOBEF
94	DOBEF	63	DOBEF
95	DOBEF	62	DOBEF
96	DOBEF	61	DOBEF
97	DOBEF	60	DOBEF
98	DOBEF	59	DOBEF
99	DOBEF	58	DOBEF
100	DOBEF	57	DOBEF
101	DOBEF	56	DOBEF
102	DOBEF	55	DOBEF
103	DOBEF	54	DOBEF
104	DOBEF	53	DOBEF
105	DOBEF	52	DOBEF
106	DOBEF	51	DOBEF
107	DOBEF	50	DOBEF
108	DOBEF	49	DOBEF
109	DOBEF	48	DOBEF
110	DOBEF	47	DOBEF
111	DOBEF	46	DOBEF
112	DOBEF	45	DOBEF
113	DOBEF	44	DOBEF
114	DOBEF	43	DOBEF
115	DOBEF	42	DOBEF
116	DOBEF	41	DOBEF
117	DOBEF	40	DOBEF
118	DOBEF	39	DOBEF
119	DOBEF	38	DOBEF
120	DOBEF	37	DOBEF
121	DOBEF	36	DOBEF
122	DOBEF	35	DOBEF
123	DOBEF	34	DOBEF
124	DOBEF	33	DOBEF
125	DOBEF	32	DOBEF
126	DOBEF	31	DOBEF
127	DOBEF	30	DOBEF
128	DOBEF	29	DOBEF
129	DOBEF	28	DOBEF
130	DOBEF	27	DOBEF
131	DOBEF	26	DOBEF
132	DOBEF	25	DOBEF
133	DOBEF	24	DOBEF
134	DOBEF	23	DOBEF
135	DOBEF	22	DOBEF
136	DOBEF	21	DOBEF
137	DOBEF	20	DOBEF
138	DOBEF	19	DOBEF
139	DOBEF	18	DOBEF
140	DOBEF	17	DOBEF
141	DOBEF	16	DOBEF
142	DOBEF	15	DOBEF
143	DOBEF	14	DOBEF
144	DOBEF	13	DOBEF
145	DOBEF	12	DOBEF
146	DOBEF	11	DOBEF
147	DOBEF	10	DOBEF
148	DOBEF	9	DOBEF
149	DOBEF	8	DOBEF
150	DOBEF	7	DOBEF
151	DOBEF	6	DOBEF
152	DOBEF	5	DOBEF
153	DOBEF	4	DOBEF
154	DOBEF	3	DOBEF
155	DOBEF	2	DOBEF
156	DOBEF	1	DOBEF

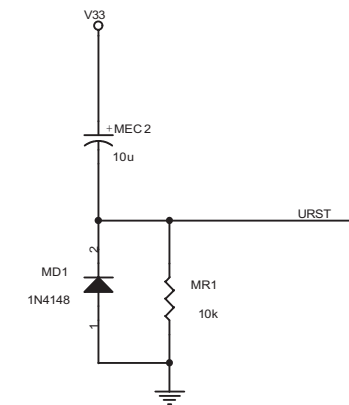
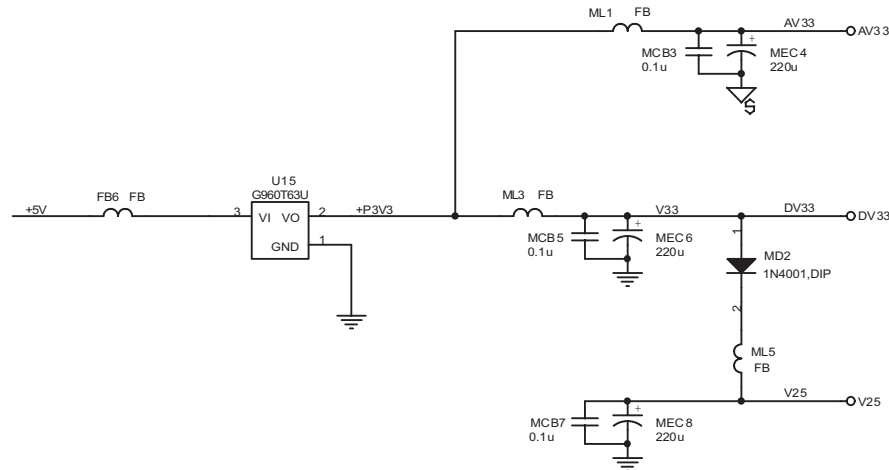
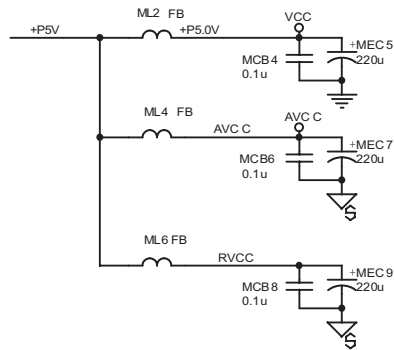
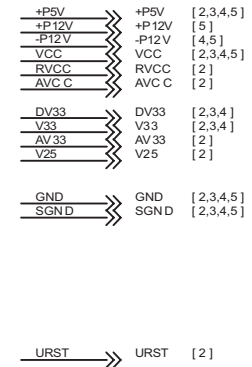
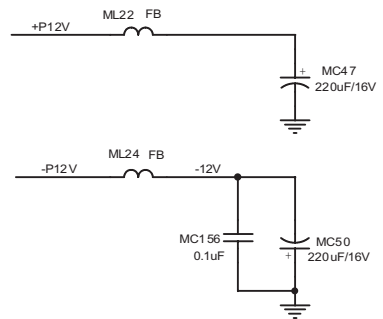
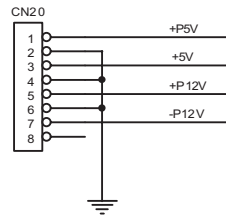
- VCC <>> VCC [1,3,4,5]
- RVCC <>> RVCC [1]
- AVCC <>> AVCC [1]
- V33 <>> V33 [1,3,4]
- AV33 <>> AV33 [1]
- V25 <>> V25 [1]
- DV33 <>> DV33 [1,3,4,5]
- GND <>> GND [1,3,4,5]
- SGND <>> SGND [1,3,4,5]
- RESET# <>> RESET# [4,5]
- 27MHZ <>> 27MHZ [4]
- URST <>> URST [1]
- Y10..71 <>> Y10..71 [4]
- HSYNC# <>> HSYNC# [4]
- VSYN# <>> VSYN# [4]
- ASPDIF <>> ASPDIF [5]
- ACLK <>> ACLK [4]
- ALRCK <>> ALRCK [4]
- ABCK <>> ABCK [4]
- ASDAT0..2 <>> ASDAT0..2 [4]
- A10..191 <>> A10..191 [3]
- AD10..71 <>> AD10..71 [3]
- PRD# <>> PRD# [3]
- PWR# <>> PWR# [3]
- PCF# <>> PCF# [3]
- MA10..111 <>> MA10..111 [3]
- BA10..11 <>> BA10..11 [3]
- DO10..311 <>> DO10..311 [3]
- DQM0..31 <>> DQM0..31 [3]
- RAS# <>> RAS# [3]
- CAS# <>> CAS# [3]
- CS# <>> CS# [3]
- WE# <>> WE# [3]
- DCLK <>> DCLK [3]
- DCKE <>> DCKE [3]
- RESET# <>> RESET# [4]
- MUTE <>> MUTE [4]
- MICMUTE <>> MICMUTE [4]
- SCL <>> SCL [3,4]
- SDA <>> SDA [3,4]
- VSCK <>> VSCK
- VSDA <>> VSDA

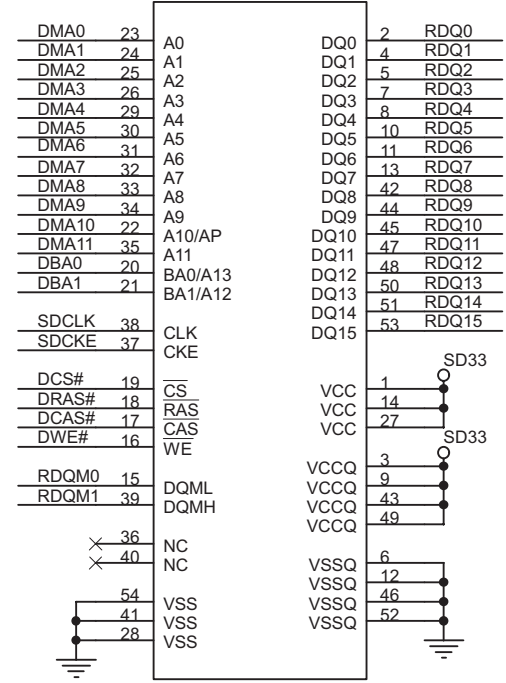
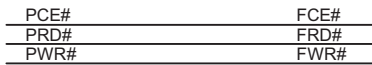
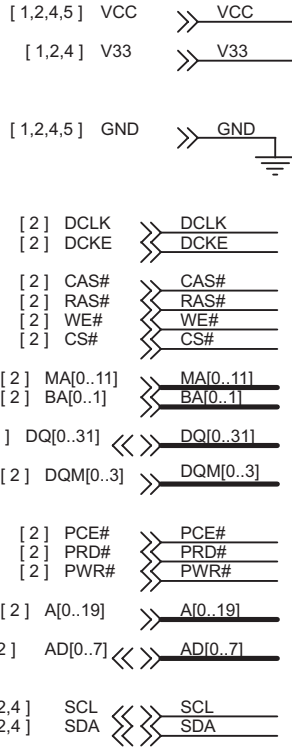
**DVD MATRIX 7**

- 1 INDEX & POWER, RESET
- 2 RF / SERVO & MPEG - MT1336E / MT1369E
- 3 MEMORY - SDRAM, FLASH/EEPROM
- 4 AUDIO - CS4340, VIDEO - CS4955
- 5 AV FILTER.

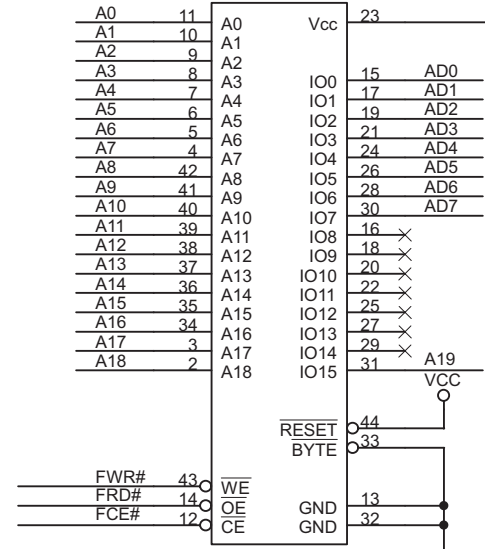
NAME	TYPE
GND	Digital Ground
SGND	Servo Analog Ground
AGND	Audio Ground
VGND	Video Ground

NAME	TYPE	DEVICE
VCC	Digital 5V	SUPPLY
RVCC	Servo 5V	MT1336E
AVCC	RF 5V	PICKUP HEADER
V33	Digital 3.3V	SDRAM, Flash, VideoDAC
DV33	Digital 3.3V	MT1369E
AV33	Servo 3.3V	MT1369E
V25	Digital 2.5V	MT1369E
+5VA	Audio 5V	Audio DAC
+3VV	Video 3.3V	Video DAC
+5VV	Video 5V	Video DAC
+12V	Audio 12V	Audio filter

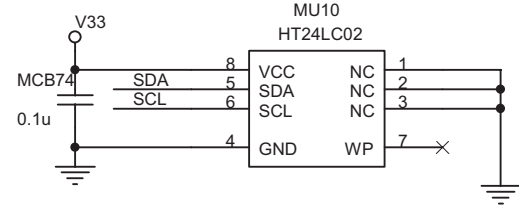
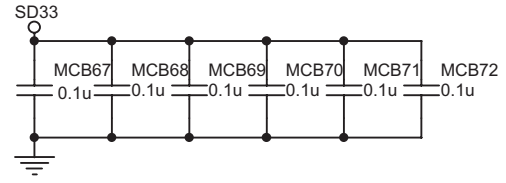
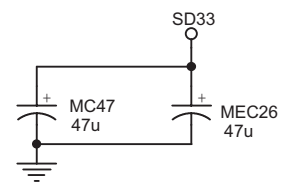
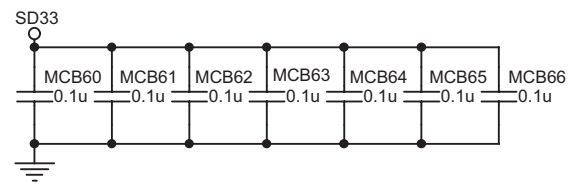
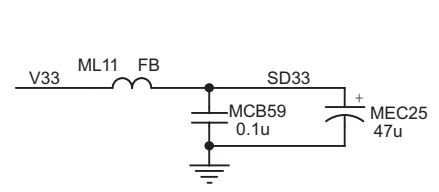
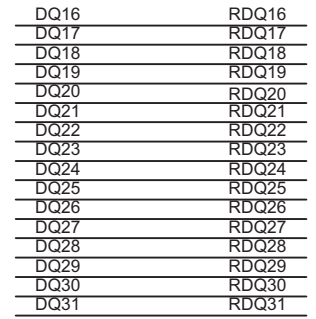
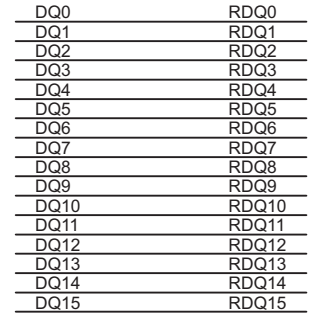
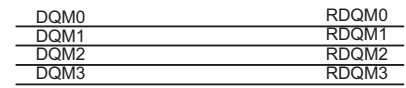
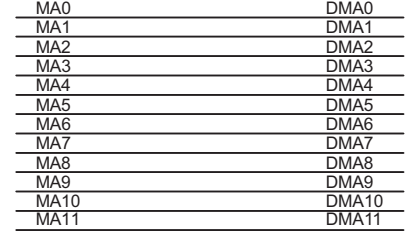
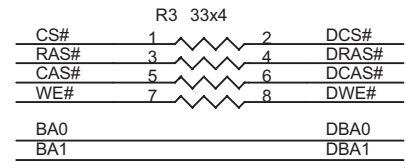




MU6  
SDRAM 1Mx16x4  
EliteMT M12L64164A-5T  
54-Pin TSOPII (400mil x 875mil)



MU9  
A29800UV-70  
8M Flash



Saffell & Frelles / Curitiba

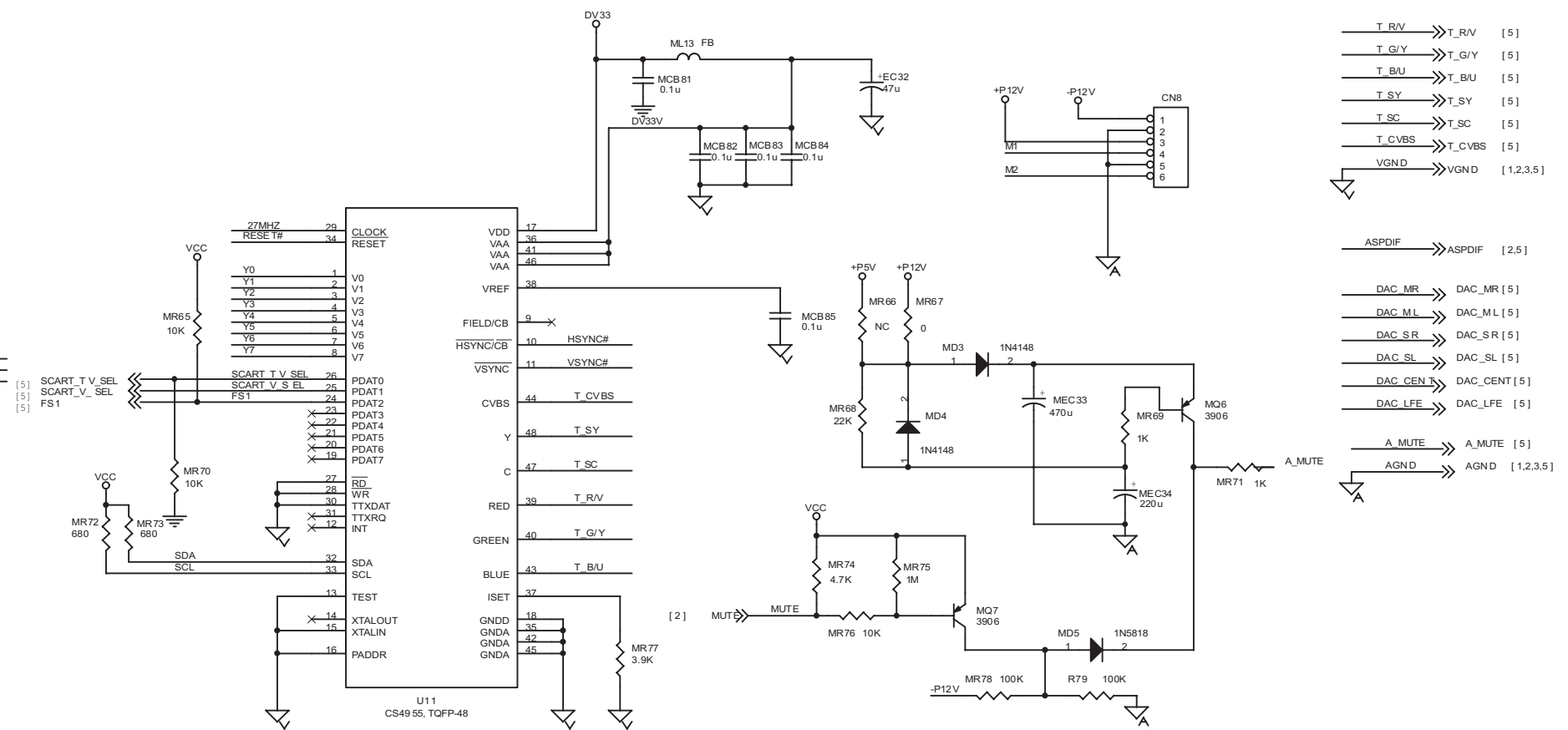
fev/2005

# DVD MATRIX 7

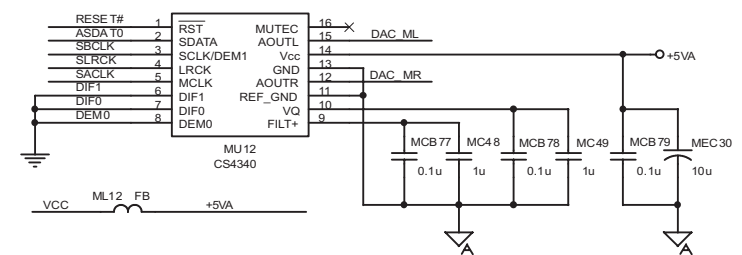


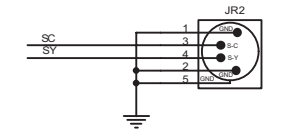
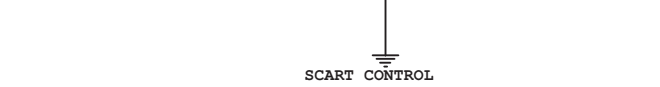
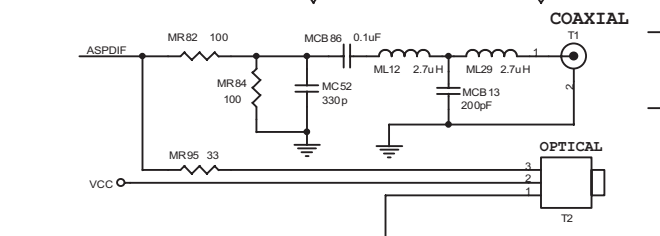
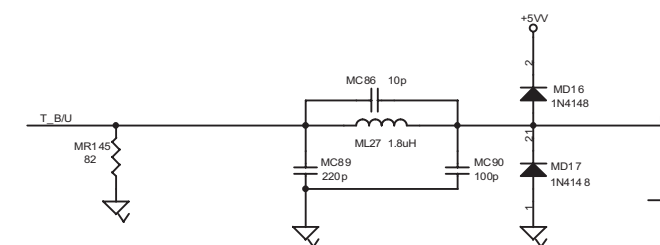
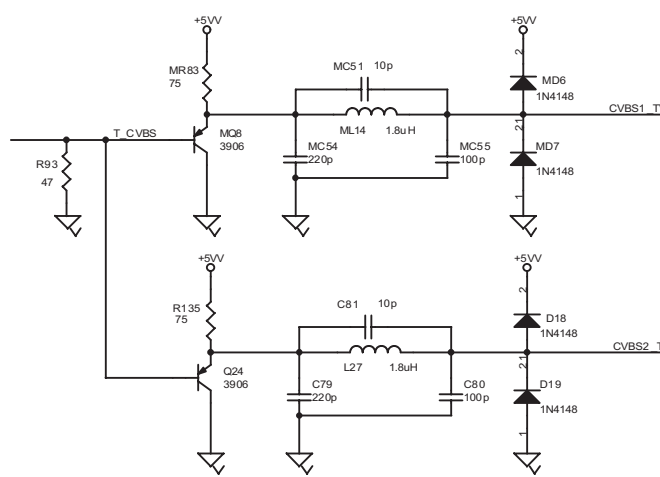
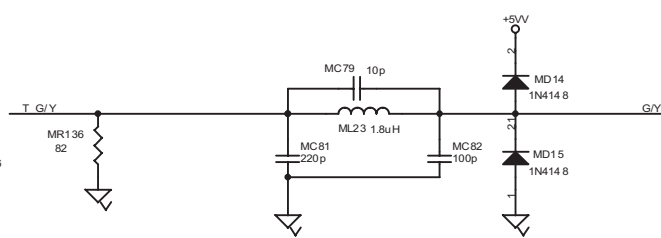
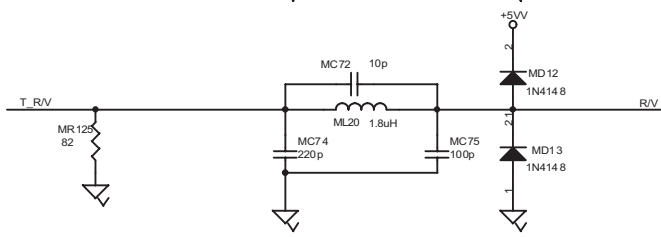
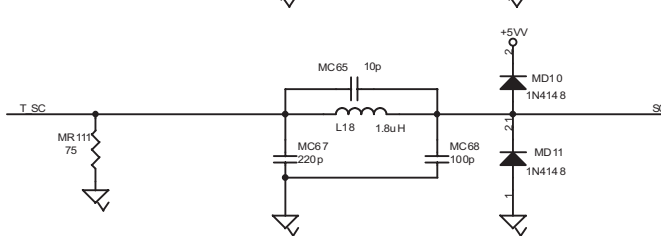
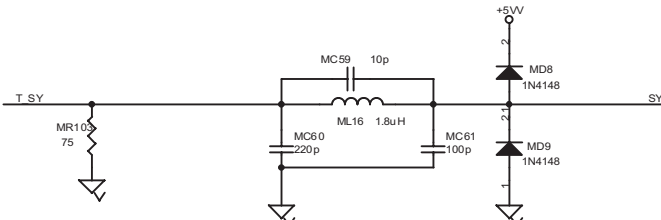
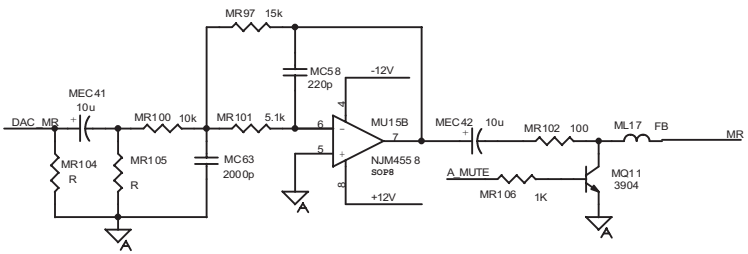
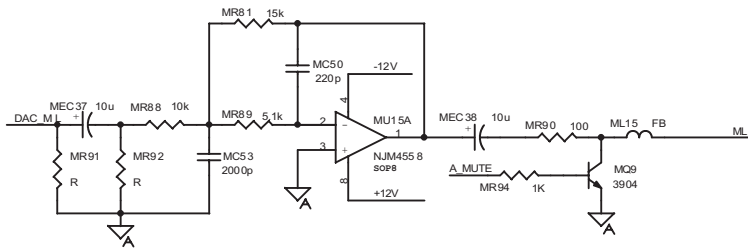
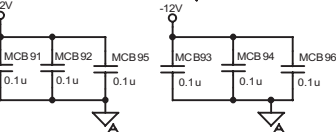
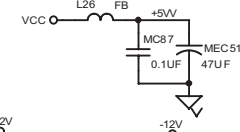
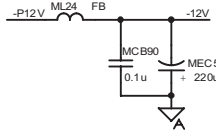
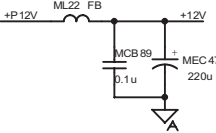
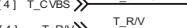
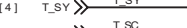
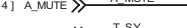
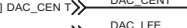
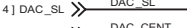
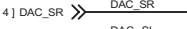
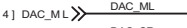
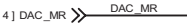
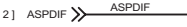
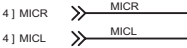
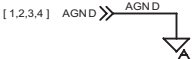
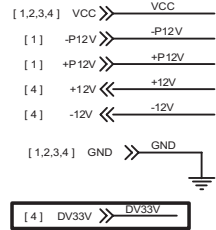


- [1,2,3,5] VCC >> VCC
- [1,2,3] DV33 >> DV33
- [1,2,3,5] +P5V >> +P5V
- [1,2,3,5] GND >> GND
- [1,5] +P12V >> +P12V
- [1,5] -P12V >> -P12V
- [5] +12V >> +12V
- [5] -12V >> -12V
- [5] DV33V >> DV33V
- [2] MICMUTE >> MICMUTE
- ACLK MR55 33 SACLK
- ALRCK SBCLK
- ABCK SBCLK
- GND AGND
- GND VGND
- [2,5] RESET# >> RESET#
- [2,3] SCL >> SCL
- [2,3] SDA >> SDA
- [2] VSCK >> VSCK
- [2] VSDA >> VSDA
- [2] ACLK >> ACLK
- [2] ABCK >> ABCK
- [2] ALRCK >> ALRCK
- [2] ASDAT [0..2] >> ASDAT [0..2]
- [2,5] ASPDIF >> ASPDIF
- [2] 27MHZ >> 27MHZ
- [2] HSYNC# >> HSYNC#
- [2] VSYNC# >> VSYNC#
- [2] Y[0..7] >> Y[0..7]



- T\_R/V >> T\_R/V [5]
- T\_G/Y >> T\_G/Y [5]
- T\_B/U >> T\_B/U [5]
- T\_SY >> T\_SY [5]
- T\_SC >> T\_SC [5]
- T\_CVBS >> T\_CVBS [5]
- VGND >> VGND [1,2,3,5]
- ASPDIF >> ASPDIF [2,5]
- DAC\_MR >> DAC\_MR [5]
- DAC\_ML >> DAC\_ML [5]
- DAC\_SR >> DAC\_SR [5]
- DAC\_SL >> DAC\_SL [5]
- DAC\_CEN >> DAC\_CEN [5]
- DAC\_LFE >> DAC\_LFE [5]
- A\_MUTE >> A\_MUTE [5]
- AGND >> AGND [1,2,3,5]





SCART CONNECTOR

