



NSX-T76 LH

SERVICE MANUAL

COMPACT DISC
STEREO CASSETTE RECEIVER

BASIC CD MECHANISM: 6ZG-1 ZRNDM
BASIC TAPE MECHANISM: 2ZM-3MK2 PR4NM

- Replace this Service manual with "Revision Publishing" when it is issued.

aiwa
S/M Code No. 09-004-425-2T3

SIMPLE

DATA

ELECTRICAL MAIN PARTS LIST - 1/10

NOTE: The characters in the suffix column indicate the part usage.

LH	REF.NO	PARTS NO.	DESCRIPTION	SUFFIX
			XX.....A.....	
			KANRI	
			NO.	
C	603	87-010-112-040	CAP,E 100-16	A.....
C	602	87-010-186-080	CAP,CHIP 4700P	A.....
C	601	87-010-196-080	CHIP CAPACITOR,0.1-25	A.....
C	606	87-010-320-080	CHIP CAP 68P	A.....
C	604	87-010-405-040	CAP,E 10-50	A.....
C	605	87-010-546-040	CAP,E 0.33-50	A.....
C	608	87-012-157-080	C-CAP,S 330P-50 CH	A.....
C	621	87-010-178-080	CHIP CAP 1000P	A.....
CN	602	87-A60-082-010	CONN,05P H 9604S-05F	A.....
FB	601	87-008-372-080	FILTER, EMI BL OIRNI	A.....
J	602	87-A61-242-010	JACK,6.3 BLK MONO W/SW V KM	A.....
J	601	87-A61-242-010	JACK,6.3 BLK MONO W/SW V KM	A.....
Q	604	87-A30-075-080	C-TR,2SA1235F	A.....
Q	602	87-A30-076-080	C-TR,2SC3052F	A.....
Q	603	87-A30-076-080	C-TR,2SC3052F	A.....
Q	601	87-A30-087-080	C-FET,2SK2158	A.....
C	161	87-010-178-080	CHIP CAP 1000P	A.....
C	162	87-012-156-080	C-CAP,S 220P-50 CH	A.....
C	401	87-010-196-080	CHIP CAPACITOR,0.1-25	A.....
C	407	87-010-322-080	C-CAP,S 100P-50 CH	A.....
C	410	87-010-196-080	CHIP CAPACITOR,0.1-25	A.....
C	417	87-010-322-080	C-CAP,S 100P-50 CH	A.....
C	423	87-010-196-080	CHIP CAPACITOR,0.1-25	A.....
C	424	87-010-196-080	CHIP CAPACITOR,0.1-25	A.....
C	501	87-010-178-080	CHIP CAP 1000P	A.....
C	502	87-012-156-080	C-CAP,S 220P-50 CH	A.....
C	531	87-010-196-080	CHIP CAPACITOR,0.1-25	A.....
C	532	87-010-196-080	CHIP CAPACITOR,0.1-25	A.....
CN	104	87-099-750-010	CONN,15P V 9604SC	A.....
CN	302	87-A60-059-010	CONN,08P V 9604S-08C	A.....
IC	401	87-070-289-040	IC,BU 2092F	A.....
IC	402	87-A21-021-040	C-IC,BU2099FV	A.....
LED	101	87-A40-317-080	LED,SLR-342VCT31 RED	A.....
LED	422	87-A40-843-010	LED,2363-2UBC/F45-27 BLUE	A.....
LED	421	87-A40-843-010	LED,2363-2UBC/F45-27 BLUE	A.....
LED	445	87-A40-380-180	LED,SEL6510C-TP5 GRN	A.....
LED	446	87-A40-380-180	LED,SEL6510C-TP5 GRN	A.....
LED	441	87-A40-380-180	LED,SEL6510C-TP5 GRN	A.....
LED	447	87-A40-380-180	LED,SEL6510C-TP5 GRN	A.....
LED	443	87-A40-380-180	LED,SEL6510C-TP5 GRN	A.....
LED	448	87-A40-380-180	LED,SEL6510C-TP5 GRN	A.....
LED	440	87-A40-380-180	LED,SEL6510C-TP5 GRN	A.....
LED	444	87-A40-380-180	LED,SEL6510C-TP5 GRN	A.....
LED	442	87-A40-380-180	LED,SEL6510C-TP5 GRN	A.....
LED	449	87-A40-380-180	LED,SEL6510C-TP5 GRN	A.....
LED	453	87-A40-537-040	LED,SLR-56PT-T31-W	A.....
LED	455	87-A40-537-040	LED,SLR-56PT-T31-W	A.....
LED	452	87-A40-537-040	LED,SLR-56PT-T31-W	A.....
LED	454	87-A40-537-040	LED,SLR-56PT-T31-W	A.....
LED	451	87-A40-537-040	LED,SLR-56PT-T31-W	A.....
LED	456	87-A40-537-040	LED,SLR-56PT-T31-W	A.....
LED	461	87-A40-317-080	LED,SLR-342VCT31 RED	A.....
LED	464	87-A40-317-080	LED,SLR-342VCT31 RED	A.....
LED	463	87-A40-317-080	LED,SLR-342VCT31 RED	A.....
LED	462	87-A40-317-080	LED,SLR-342VCT31 RED	A.....
LED	465	87-A40-317-080	LED,SLR-342VCT31 RED	A.....
LED	522	87-A40-847-010	LED,2363-2UBC/C470 BLUE	A.....
LED	521	87-A40-847-010	LED,2363-2UBC/C470 BLUE	A.....
Q	109	87-A30-087-080	C-FET,2SK2158	A.....
Q	401	87-A30-075-080	C-TR,2SA1235F	A.....
S	204	87-A90-095-080	SW,TACT EVQ11G04M	A.....
S	206	87-A90-095-080	SW,TACT EVQ11G04M	A.....
S	202	87-A90-095-080	SW,TACT EVQ11G04M	A.....
S	207	87-A90-095-080	SW,TACT EVQ11G04M	A.....
S	201	87-A90-095-080	SW,TACT EVQ11G04M	A.....
S	203	87-A90-095-080	SW,TACT EVQ11G04M	A.....
S	205	87-A90-095-080	SW,TACT EVQ11G04M	A.....
S	208	87-A90-095-080	SW,TACT EVQ11G04M	A.....
S	215	87-A90-095-080	SW,TACT EVQ11G04M	A.....
S	211	87-A90-095-080	SW,TACT EVQ11G04M	A.....
S	216	87-A90-095-080	SW,TACT EVQ11G04M	A.....
S	213	87-A90-095-080	SW,TACT EVQ11G04M	A.....
S	212	87-A90-095-080	SW,TACT EVQ11G04M	A.....
S	214	87-A90-095-080	SW,TACT EVQ11G04M	A.....
S	217	87-A90-095-080	SW,TACT EVQ11G04M	A.....
S	223	87-A90-095-080	SW,TACT EVQ11G04M	A.....
S	226	87-A90-095-080	SW,TACT EVQ11G04M	A.....
S	227	87-A90-095-080	SW,TACT EVQ11G04M	A.....
S	221	87-A90-095-080	SW,TACT EVQ11G04M	A.....
S	228	87-A90-095-080	SW,TACT EVQ11G04M	A.....
S	225	87-A90-095-080	SW,TACT EVQ11G04M	A.....

ELECTRICAL MAIN PARTS LIST - 2/10

S	224	87-A90-095-080	SW, TACT EVQ11G04M	A
S	222	87-A90-095-080	SW, TACT EVQ11G04M	A
S	229	87-A90-095-080	SW, TACT EVQ11G04M	A
S	230	87-A90-095-080	SW, TACT EVQ11G04M	A
S	231	87-A90-095-080	SW, TACT EVQ11G04M	A
S	232	87-A90-095-080	SW, TACT EVQ11G04M	A
S	246	87-A90-095-080	SW, TACT EVQ11G04M	A
S	247	87-A90-095-080	SW, TACT EVQ11G04M	A
S	248	87-A90-095-080	SW, TACT EVQ11G04M	A
S	243	87-A90-095-080	SW, TACT EVQ11G04M	A
S	249	87-A90-095-080	SW, TACT EVQ11G04M	A
S	245	87-A90-095-080	SW, TACT EVQ11G04M	A
S	242	87-A90-095-080	SW, TACT EVQ11G04M	A
S	244	87-A90-095-080	SW, TACT EVQ11G04M	A
S	241	87-A90-095-080	SW, TACT EVQ11G04M	A
S	250	87-A90-095-080	SW, TACT EVQ11G04M	A
S	251	87-A90-095-080	SW, TACT EVQ11G04M	A
S	515	87-A90-095-080	SW, TACT EVQ11G04M	A
S	514	87-A90-095-080	SW, TACT EVQ11G04M	A
S	513	87-A90-095-080	SW, TACT EVQ11G04M	A
S	512	87-A90-095-080	SW, TACT EVQ11G04M	A
S	511	87-A90-095-080	SW, TACT EVQ11G04M	A
SW	101	87-A91-740-010	SW, RTRY EC12E24308-30MM	A
SW	501	87-A91-739-010	SW, RTRY EC12E12404-25MM RT	A
		87-067-680-010	BVI T3+3-10	A
C	1	87-010-387-080	CAP, E 470-25 SME	A
C	8	87-A11-148-080	CAP, TC U 0.1-50 Z F	A
C	9	87-A11-148-080	CAP, TC U 0.1-50 Z F	A
C	16	87-010-403-040	CAP, E 3.3-50 SME	A
C	13	87-010-917-000	CAP, E 3300-50 M SMG	A
C	12	87-010-917-000	CAP, E 3300-50 M SMG	A
C	11	87-A11-148-080	CAP, TC U 0.1-50 Z F	A
C	10	87-A11-148-080	CAP, TC U 0.1-50 Z F	A
C	18	87-A11-148-080	CAP, TC U 0.1-50 Z F	A
C	19	87-A11-148-080	CAP, TC U 0.1-50 Z F	A
C	22	87-A10-231-090	CAP, E 3300-80	A
C	23	87-A10-231-090	CAP, E 3300-80	A
C	20	87-A11-148-080	CAP, TC U 0.1-50 Z F	A
C	21	87-A11-148-080	CAP, TC U 0.1-50 Z F	A
CN	2	87-A61-108-010	CONN, 5P V TID-A	A
CN	1	87-A61-110-010	CONN, 9P V TID-A	A
D	2	87-017-447-010	DIODE, GBU4DL	A
D	3	87-017-654-060	DIODE, GBU6J	A
D	7	87-A40-736-080	DIODE, 1N4148M (SEM)	A
D	8	87-A40-736-080	DIODE, 1N4148M (SEM)	A
D	5	87-A40-736-080	DIODE, 1N4148M (SEM)	A
D	4	87-A40-736-080	DIODE, 1N4148M (SEM)	A
D	6	87-A40-736-080	DIODE, 1N4148M (SEM)	A
D	9	87-A40-736-080	DIODE, 1N4148M (SEM)	A
D	19	87-A40-736-080	DIODE, 1N4148M (SEM)	A
D	17	87-A40-736-080	DIODE, 1N4148M (SEM)	A
D	11	87-A40-736-080	DIODE, 1N4148M (SEM)	A
D	18	87-A40-736-080	DIODE, 1N4148M (SEM)	A
D	15	87-A40-736-080	DIODE, 1N4148M (SEM)	A
D	14	87-A40-736-080	DIODE, 1N4148M (SEM)	A
D	16	87-A40-736-080	DIODE, 1N4148M (SEM)	A
D	10	87-A40-736-080	DIODE, 1N4148M (SEM)	A
D	22	87-A40-736-080	DIODE, 1N4148M (SEM)	A
D	26	87-A40-736-080	DIODE, 1N4148M (SEM)	A
D	27	87-A40-736-080	DIODE, 1N4148M (SEM)	A
D	20	87-A40-736-080	DIODE, 1N4148M (SEM)	A
D	28	87-A40-736-080	DIODE, 1N4148M (SEM)	A
D	24	87-A40-736-080	DIODE, 1N4148M (SEM)	A
D	29	87-A40-736-080	DIODE, 1N4148M (SEM)	A
D	21	87-A40-736-080	DIODE, 1N4148M (SEM)	A
D	25	87-A40-736-080	DIODE, 1N4148M (SEM)	A
D	23	87-A40-736-080	DIODE, 1N4148M (SEM)	A
D	30	87-A40-736-080	DIODE, 1N4148M (SEM)	A
FC	4	87-033-213-080	CLAMP, FUSE	A
FC	2	87-033-213-080	CLAMP, FUSE	A
FC	3	87-033-213-080	CLAMP, FUSE	A
FC	1	87-033-213-080	CLAMP, FUSE	A
PR	9	87-A91-276-080	FUSE, 125MA 125V F 251	A
PT	2	8A-NF8-661-010	PT, SUB ANF-8 (U)	A
PT	2	8A-NF8-673-010	PT, SUB ANF-8 (H) KAMI	A
Q	1	87-026-245-080	TR, DTC114ES	A
Q	2	87-A30-198-080	TR, KTC3199GR	A
RY	1	87-A90-976-010	RELAY, AC12V SDT-S-112LMR	A
RY	2	87-A91-300-010	RELAY, AC 12V-ALA2PF12	A
S	1	87-A90-165-010	SW, SL 1-2-3 SWS2301	A
T	2	87-A60-317-010	TERMINAL, 1P MSC	A
T	1	87-A60-317-010	TERMINAL, 1P MSC	A
*		8A-NF3-215-010	HLDR, TR	A
*		8A-NF3-217-010	HLDR, TR-SW	A
C	102	87-010-178-080	CHIP CAP 1000P	A
C	101	87-010-178-080	CHIP CAP 1000P	A
C	105	87-010-186-080	CAP, CHIP 4700P	A

ELECTRICAL MAIN PARTS LIST - 3/10

C	106	87-010-186-080	CAP,CHIP 4700P	A
C	108	87-010-404-080	CAP, ELECT 4.7-50V	A
C	107	87-010-404-080	CAP, ELECT 4.7-50V	A
C	103	87-010-405-080	CAP, ELECT 10-50V	A
C	104	87-010-405-080	CAP, ELECT 10-50V	A
C	119	87-010-197-080	CAP, CHIP 0.01 DM	A
C	111	87-010-322-080	C-CAP,S 100P-50 CH	A
C	112	87-010-322-080	C-CAP,S 100P-50 CH	A
C	114	87-A10-812-080	C-CAP,S 220P-200 J CH	A
C	113	87-A10-812-080	C-CAP,S 220P-200 J CH	A
C	120	87-010-197-080	CAP, CHIP 0.01 DM	A
C	121	87-010-260-080	CAP, ELECT 47-25V	A
C	122	87-010-260-080	CAP, ELECT 47-25V	A
C	173	87-010-186-080	CAP,CHIP 4700P	A
C	205	87-010-177-080	C-CAP,S 820P-50 SL	A
C	206	87-010-177-080	C-CAP,S 820P-50 SL	A
C	209	87-010-184-080	CHIP CAPACITOR 3300P(K)	A
C	207	87-010-403-080	CAP, ELECT 3.3-50V	A
C	208	87-010-403-080	CAP, ELECT 3.3-50V	A
C	203	87-A10-300-080	CAP,M 0.027-50 J	A
C	204	87-A10-300-080	CAP,M 0.027-50 J	A
C	202	87-A10-303-080	CAP,M 0.047-50 J	A
C	201	87-A10-303-080	CAP,M 0.047-50 J	A
C	210	87-010-184-080	CHIP CAPACITOR 3300P(K)	A
C	218	87-010-260-080	CAP, ELECT 47-25V	A
C	217	87-010-260-080	CAP, ELECT 47-25V	A
C	212	87-010-400-080	CAP, ELECT 0.47-50V	A
C	211	87-010-400-080	CAP, ELECT 0.47-50V	A
C	216	87-012-156-080	C-CAP,S 220P-50 CH	A
C	215	87-012-156-080	C-CAP,S 220P-50 CH	A
C	224	87-010-197-080	CAP, CHIP 0.01 DM	A
C	223	87-010-197-080	CAP, CHIP 0.01 DM	A
C	222	87-010-405-080	CAP, ELECT 10-50V	A
C	221	87-010-405-080	CAP, ELECT 10-50V	A
C	249	87-012-368-080	C-CAP,S 0.1-50 F	A
C	256	87-010-190-080	S CHIP F 0.01	A
C	255	87-010-190-080	S CHIP F 0.01	A
C	252	87-010-196-080	CHIP CAPACITOR,0.1-25	A
C	253	87-010-196-080	CHIP CAPACITOR,0.1-25	A
C	251	87-010-993-080	C-CAP,S 0.056-25 B	A
C	254	87-010-993-080	C-CAP,S 0.056-25 B	A
C	402	87-010-196-080	CHIP CAPACITOR,0.1-25	A
C	413	87-A10-119-080	CAP,E 10-100 REA	A
C	414	87-A10-119-080	CAP,E 10-100 REA	A
CNA	103	8A-NF8-651-010	CONN ASSY,5P TID-A(480)	A
CON	102	87-A61-011-010	CONN,13P H BLK TAC-L13P-A3	A
CON	101	87-A61-011-010	CONN,13P H BLK TAC-L13P-A3	A
D	101	87-A40-269-080	C-DIODE,MC2836	A
D	105	87-A40-270-080	C-DIODE,MC2838	A
D	103	87-A40-313-080	C-DIODE,MC 2840	A
D	113	87-020-331-080	CHIP-DIODE,DAN202K	A
D	118	87-A40-488-080	DIODE,1SS244	A
D	117	87-A40-488-080	DIODE,1SS244	A
D	112	87-A40-736-080	DIODE,1N4148M(SEM)	A
D	116	87-A40-736-080	DIODE,1N4148M(SEM)	A
D	115	87-A40-736-080	DIODE,1N4148M(SEM)	A
D	111	87-A40-736-080	DIODE,1N4148M(SEM)	A
D	123	87-A40-736-080	DIODE,1N4148M(SEM)	A
D	122	87-A40-736-080	DIODE,1N4148M(SEM)	A
D	121	87-A40-736-080	DIODE,1N4148M(SEM)	A
D	124	87-A40-736-080	DIODE,1N4148M(SEM)	A
D	153	87-A40-736-080	DIODE,1N4148M(SEM)	A
D	154	87-A40-736-080	DIODE,1N4148M(SEM)	A
D	171	87-A40-270-080	C-DIODE,MC2838	A
D	202	87-020-331-080	CHIP-DIODE,DAN202K	A
D	201	87-A40-269-080	C-DIODE,MC2836	A
D	205	87-A40-270-080	C-DIODE,MC2838	A
D	203	87-A40-313-080	C-DIODE,MC 2840	A
D	204	87-A40-736-080	DIODE,1N4148M(SEM)	A
D	209	87-A40-736-080	DIODE,1N4148M(SEM)	A
D	410	87-A40-736-080	DIODE,1N4148M(SEM)	A
D	414	87-A40-736-080	DIODE,1N4148M(SEM)	A
D	411	87-A40-736-080	DIODE,1N4148M(SEM)	A
D	413	87-A40-736-080	DIODE,1N4148M(SEM)	A
D	412	87-A40-736-080	DIODE,1N4148M(SEM)	A
D	419	87-A40-747-080	ZENER,UZ5.1BSB	A
D	418	87-A40-751-080	ZENER,UZ6.2BSB	A
D	417	87-A40-764-080	ZENER,UZ10BSC	A
D	421	87-A40-646-010	DIODE,FMB-G16L	A
D	422	87-A40-646-010	DIODE,FMB-G16L	A
D	428	87-A40-764-080	ZENER,UZ10BSC	A
D	431	87-A40-736-080	DIODE,1N4148M(SEM)	A
IC	201	87-A21-397-010	IC,STK490-070	A
IC	201	87-A21-417-010	IC,STK490-310	A
J	201	87-A61-148-010	JACK,PIN 4P R/W BLUE	A
L	251	87-003-383-010	COIL,1UH-S	A
L	252	87-003-383-010	COIL,1UH-S	A

ELECTRICAL MAIN PARTS LIST - 4/10

Q	114	87-A30-076-080	C-TR,2SC3052F	A
Q	116	87-A30-076-080	C-TR,2SC3052F	A
Q	115	87-A30-076-080	C-TR,2SC3052F	A
Q	113	87-A30-076-080	C-TR,2SC3052F	A
Q	112	87-A30-107-070	C-TR,CMBT5401	A
Q	111	87-A30-107-070	C-TR,CMBT5401	A
Q	117	87-A30-107-070	C-TR,CMBT5401	A
Q	118	87-A30-107-070	C-TR,CMBT5401	A
Q	119	87-A30-190-080	TR,CC5551	A
Q	120	87-A30-190-080	TR,CC5551	A
Q	131	87-A30-097-010	TR, FN 1016	A
Q	132	87-A30-097-010	TR, FN 1016	A
Q	133	87-A30-098-010	TR, FP 1016	A
Q	134	87-A30-098-010	TR, FP 1016	A
Q	136	87-A30-107-070	C-TR,CMBT5401	A
Q	135	87-A30-107-070	C-TR,CMBT5401	A
Q	172	87-A30-106-040	C-TR,CMBT5551	A
Q	171	87-A30-107-070	C-TR,CMBT5401	A
Q	203	87-A30-075-080	C-TR,2SA1235F	A
Q	201	87-A30-107-070	C-TR,CMBT5401	A
Q	202	87-A30-107-070	C-TR,CMBT5401	A
Q	401	87-A30-074-080	C-TR,RT1P 141C	A
Q	403	87-A30-074-080	C-TR,RT1P 141C	A
Q	409	87-A30-076-080	C-TR,2SC3052F	A
Q	402	87-A30-107-070	C-TR,CMBT5401	A
Q	406	87-A30-186-010	FET,2SK3053	A
Q	405	87-A30-186-010	FET,2SK3053	A
Q	410	87-A30-075-080	C-TR,2SA1235F	A
R	161	87-A00-418-010	RES,M/F 0.15-3W J	A
R	162	87-A00-418-010	RES,M/F 0.15-3W J	A
R	165	87-A00-418-010	RES,M/F 0.15-3W J	A
R	166	87-A00-418-010	RES,M/F 0.15-3W J	A
R	232	87-A00-258-080	RES,M/F 0.22-1W J	A
R	231	87-A00-258-080	RES,M/F 0.22-1W J	A
R	243	87-A00-258-080	RES,M/F 0.22-1W J	A
R	244	87-A00-258-080	RES,M/F 0.22-1W J	A
RY	201	87-A91-686-010	RELAY, G5PA-28 (OMRON)	A
TH	101	87-A91-042-080	C-THMS,100K 55001	A
TH	102	87-A91-042-080	C-THMS,100K 55001	A
WH	103	87-A90-459-010	HLDR, WIRE 2.5-5P	A
*		8Z-NF3-210-010	GUIDE, FL	A
C	103	87-010-196-080	CHIP CAPACITOR,0.1-25	A
C	104	87-010-313-080	CAP, CHIP 18P	A
C	105	87-010-322-080	C-CAP,S 100P-50 CH	A
C	109	87-010-401-040	CAP,E 1-50 SME	A
C	106	87-012-145-080	CAP, CHIP S 270P CH	A
C	107	87-012-157-080	C-CAP,S 330P-50 CH	A
C	108	87-015-681-040	E/CAP 10-16	A
C	118	87-010-194-080	CAP, CHIP 0.047	A
C	110	87-010-196-080	CHIP CAPACITOR,0.1-25	A
C	114	87-010-196-080	CHIP CAPACITOR,0.1-25	A
C	115	87-010-198-080	CAP, CHIP 0.022	A
C	116	87-010-493-040	CAP,E 0.47-50 GAS	A
C	117	87-010-498-040	CAP,E 10-16 GAS	A
C	113	87-A10-189-040	CAP,E 220-10	A
C	119	87-A10-797-040	CAP,E 47-35 M 5L SRM	A
C	112	87-A11-606-080	C-CAP,S 0.22-25 K B	A
C	128	87-010-178-080	CHIP CAP 1000P	A
C	129	87-010-194-080	CAP, CHIP 0.047	A
C	125	87-010-196-080	CHIP CAPACITOR,0.1-25	A
C	123	87-010-196-080	CHIP CAPACITOR,0.1-25	A
C	122	87-010-197-080	CAP, CHIP 0.01 DM	A
C	121	87-015-699-040	CAP,E 10-50 7L	A
C	120	87-015-699-040	CAP,E 10-50 7L	A
C	132	87-A10-189-040	CAP,E 220-10	A
C	131	87-A10-189-040	CAP,E 220-10	A
C	151	87-010-194-080	CAP, CHIP 0.047	A
C	196	87-010-194-080	CAP, CHIP 0.047	A
C	197	87-010-194-080	CAP, CHIP 0.047	A
C	213	87-A10-189-040	CAP,E 220-10	A
C	306	87-010-196-080	CHIP CAPACITOR,0.1-25	A
C	305	87-010-196-080	CHIP CAPACITOR,0.1-25	A
C	301	87-010-318-080	C-CAP,S 47P-50 CH	A
C	304	87-A11-606-080	C-CAP,S 0.22-25 K B	A
C	303	87-A11-606-080	C-CAP,S 0.22-25 K B	A
C	310	87-010-067-040	CAP,E 0.1-50 5L	A
C	701	87-010-981-040	CAP,E 22-35 5L SRE	A
C	902	87-010-176-080	C-CAP,S 680P-50 SL	A
C	906	87-010-176-080	C-CAP,S 680P-50 SL	A
C	909	87-010-176-080	C-CAP,S 680P-50 SL	A
C	907	87-010-176-080	C-CAP,S 680P-50 SL	A
C	904	87-010-176-080	C-CAP,S 680P-50 SL	A
C	903	87-010-176-080	C-CAP,S 680P-50 SL	A
C	905	87-010-176-080	C-CAP,S 680P-50 SL	A
C	908	87-010-176-080	C-CAP,S 680P-50 SL	A
C	901	87-012-157-080	C-CAP,S 330P-50 CH	A
C	912	87-010-176-080	C-CAP,S 680P-50 SL	A

ELECTRICAL MAIN PARTS LIST - 5/10

C	911	87-010-176-080	C-CAP,S 680P-50 SL	A
C	910	87-010-176-080	C-CAP,S 680P-50 SL	A
C	913	87-010-176-080	C-CAP,S 680P-50 SL	A
C	914	87-012-145-080	CAP,CHIP S 270P CH	A
CN	101	87-099-720-010	CONN,30P TYK-B(P)	A
CN	103	87-099-750-010	CONN,15P V 9604SC	A
CN	102	87-A60-054-010	CONN,14P V 9604S-14C	A
CN	301	87-A60-079-010	CONN,08P H 9604S-08F	A
CN	601	87-A60-062-010	CONN,05P V 9604S-05C	A
CN	701	87-099-750-010	CONN,15P V 9604SC	A
D	109	87-017-154-080	ZENER,HZS6C3L	A
D	104	87-A40-736-080	DIODE,1N4148M(SEM)	A
D	107	87-A40-736-080	DIODE,1N4148M(SEM)	A
D	103	87-A40-736-080	DIODE,1N4148M(SEM)	A
D	114	87-A40-736-080	DIODE,1N4148M(SEM)	A
D	116	87-A40-736-080	DIODE,1N4148M(SEM)	A
D	111	87-A40-736-080	DIODE,1N4148M(SEM)	A
D	110	87-A40-736-080	DIODE,1N4148M(SEM)	A
D	115	87-A40-736-080	DIODE,1N4148M(SEM)	A
D	113	87-A40-736-080	DIODE,1N4148M(SEM)	A
D	120	87-A40-736-080	DIODE,1N4148M(SEM)	A
D	150	87-A40-736-080	DIODE,1N4148M(SEM)	A
D	306	87-A40-736-080	DIODE,1N4148M(SEM)	A
D	301	87-A40-736-080	DIODE,1N4148M(SEM)	A
D	302	87-A40-736-080	DIODE,1N4148M(SEM)	A
D	307	87-A40-736-080	DIODE,1N4148M(SEM)	A
D	304	87-A40-736-080	DIODE,1N4148M(SEM)	A
D	303	87-A40-736-080	DIODE,1N4148M(SEM)	A
D	305	87-A40-736-080	DIODE,1N4148M(SEM)	A
D	308	87-A40-736-080	DIODE,1N4148M(SEM)	A
D	312	87-A40-736-080	DIODE,1N4148M(SEM)	A
D	319	87-A40-736-080	DIODE,1N4148M(SEM)	A
D	310	87-A40-747-080	ZENER,UZ5.1BSB	A
D	323	87-A40-736-080	DIODE,1N4148M(SEM)	A
D	325	87-A40-736-080	DIODE,1N4148M(SEM)	A
D	321	87-A40-736-080	DIODE,1N4148M(SEM)	A
D	324	87-A40-736-080	DIODE,1N4148M(SEM)	A
D	320	87-A40-736-080	DIODE,1N4148M(SEM)	A
D	326	87-A40-736-080	DIODE,1N4148M(SEM)	A
D	334	87-A40-736-080	DIODE,1N4148M(SEM)	A
D	336	87-A40-736-080	DIODE,1N4148M(SEM)	A
D	332	87-A40-736-080	DIODE,1N4148M(SEM)	A
D	337	87-A40-736-080	DIODE,1N4148M(SEM)	A
D	331	87-A40-736-080	DIODE,1N4148M(SEM)	A
D	333	87-A40-736-080	DIODE,1N4148M(SEM)	A
D	335	87-A40-736-080	DIODE,1N4148M(SEM)	A
D	338	87-A40-736-080	DIODE,1N4148M(SEM)	A
D	701	87-A40-269-080	C-DIODE,MC2836	A
FL	101	8A-NF3-613-010	FL,BJ752GK-ANF3	A
IC	102	87-A21-482-010	IC,RPM6938-H4	A
IC	101	8A-NF3-635-010	C-IC,LC876580W-****	A
IC	380	87-A21-577-040	C-IC,M61506FP	A
L	101	87-A50-333-010	COIL,OSC 9.43MHZ	A
LED	313	87-A40-380-180	LED,SEL6510C-TP5 GRN	A
LED	315	87-A40-380-180	LED,SEL6510C-TP5 GRN	A
LED	312	87-A40-380-180	LED,SEL6510C-TP5 GRN	A
LED	314	87-A40-380-180	LED,SEL6510C-TP5 GRN	A
LED	311	87-A40-380-180	LED,SEL6510C-TP5 GRN	A
Q	104	87-026-610-080	TR,KTC3198GR	A
Q	108	87-A30-073-080	C-TR,RT1N 141C	A
Q	102	87-A30-076-080	C-TR,2SC3052F	A
Q	107	87-A30-076-080	C-TR,2SC3052F	A
Q	101	87-A30-087-080	C-FET,2SK2158	A
Q	111	87-A30-074-080	C-TR,RT1P 141C	A
Q	112	87-A30-074-080	C-TR,RT1P 141C	A
Q	301	87-A30-276-040	C-TR,DTA143EKA	A
Q	703	87-A30-318-080	TR,CSA952K	A
Q	702	87-A30-318-080	TR,CSA952K	A
Q	701	87-A30-329-080	TR,CD1585BC	A
S	311	87-A90-095-080	SW,TACT EVQ11G04M	A
S	317	87-A90-095-080	SW,TACT EVQ11G04M	A
S	316	87-A90-095-080	SW,TACT EVQ11G04M	A
S	312	87-A90-095-080	SW,TACT EVQ11G04M	A
S	315	87-A90-095-080	SW,TACT EVQ11G04M	A
S	314	87-A90-095-080	SW,TACT EVQ11G04M	A
S	313	87-A90-095-080	SW,TACT EVQ11G04M	A
C	806	87-010-071-040	CAP,E 1-50 M 5L SRE	A
C	802	87-010-176-080	C-CAP,S 680P-50 SL	A
C	803	87-010-187-080	CAP CHIP S5600P	A
C	807	87-010-197-080	CAP,CHIP 0.01 DM	A
C	805	87-010-197-080	CAP,CHIP 0.01 DM	A
C	804	87-010-213-080	C-CAP,S 0.015-50 B	A
C	809	87-012-155-080	C-CAP 180P-50CH	A
C	801	87-012-156-080	C-CAP,S 220P-50 CH	A
C	811	87-010-244-040	CAP,E 22-16 5L	A
C	810	87-010-264-040	CAP,E 100-10 5L	A
C	812	87-016-044-040	CAP,E 100-16 GAS	A

ELECTRICAL MAIN PARTS LIST - 6/10

C	821	87-010-196-080	CHIP CAPACITOR,0.1-25	A
C	833	87-010-322-080	C-CAP,S 100P-50 CH	A
D	801	87-A40-749-080	ZENER,UZ5.6BSB	A
IC	801	87-A21-051-040	C-IC,BU9990-03FS	A
L	802	87-003-098-080	COIL,2.2UH	A
L	801	87-A50-093-010	COIL,CLOCK 5.76MHZ	A
C	307	87-010-196-080	CHIP CAPACITOR,0.1-25	A
C	302	87-010-318-080	C-CAP,S 47P-50 CH	A
C	301	87-010-318-080	C-CAP,S 47P-50 CH	A
C	305	87-012-157-080	C-CAP,S 330P-50 CH	A
C	304	87-012-157-080	C-CAP,S 330P-50 CH	A
C	306	87-012-157-080	C-CAP,S 330P-50 CH	A
C	303	87-012-157-080	C-CAP,S 330P-50 CH	A
C	315	87-010-178-080	CHIP CAP 1000P	A
C	316	87-010-178-080	CHIP CAP 1000P	A
C	313	87-010-180-080	C-CER 1500P	A
C	314	87-010-180-080	C-CER 1500P	A
C	311	87-010-198-080	CAP, CHIP 0.022	A
C	312	87-010-198-080	CAP, CHIP 0.022	A
C	319	87-012-141-080	CHIP-CAPACITOR,0.22-16F	A
C	318	87-A10-201-080	C-CAP,S0.33-16 KB	A
C	317	87-A10-201-080	C-CAP,S0.33-16 KB	A
C	324	87-010-260-080	CAP, ELECT 47-25V	A
C	325	87-010-370-080	CAP,E 330-6.3 SME	A
C	327	87-010-404-080	CAP, ELECT 4.7-50V	A
C	328	87-010-404-080	CAP, ELECT 4.7-50V	A
C	322	87-012-141-080	CHIP-CAPACITOR,0.22-16F	A
C	321	87-012-141-080	CHIP-CAPACITOR,0.22-16F	A
C	320	87-012-141-080	CHIP-CAPACITOR,0.22-16F	A
C	339	87-010-196-080	CHIP CAPACITOR,0.1-25	A
C	337	87-010-196-080	CHIP CAPACITOR,0.1-25	A
C	332	87-010-196-080	CHIP CAPACITOR,0.1-25	A
C	336	87-010-401-080	CAP, ELECT 1-50V	A
C	335	87-010-401-080	CAP, ELECT 1-50V	A
C	340	87-010-196-080	CHIP CAPACITOR,0.1-25	A
C	354	87-010-175-080	CAP 560P	A
C	358	87-010-183-080	C-CAP,S 2700P-50 B	A
C	359	87-010-183-080	C-CAP,S 2700P-50 B	A
C	357	87-010-197-080	CAP, CHIP 0.01 DM	A
C	356	87-010-260-080	CAP, ELECT 47-25V	A
C	352	87-012-140-080	CAP 470P	A
C	351	87-012-140-080	CAP 470P	A
C	355	87-012-349-080	C-CAP,S 1000P-50 CH	A
C	360	87-010-183-080	C-CAP,S 2700P-50 B	A
C	372	87-010-177-080	C-CAP,S 820P-50 SL	A
C	371	87-010-177-080	C-CAP,S 820P-50 SL	A
C	374	87-010-179-080	CAP,CHIP S B1200P	A
C	373	87-010-179-080	CAP,CHIP S B1200P	A
C	378	87-010-196-080	CHIP CAPACITOR,0.1-25	A
C	370	87-010-196-080	CHIP CAPACITOR,0.1-25	A
C	375	87-010-545-080	CAP, ELECT 0.22-50V	A
C	376	87-010-545-080	CAP, ELECT 0.22-50V	A
C	385	87-010-184-080	CHIP CAPACITOR 3300P(K)	A
C	386	87-010-196-080	CHIP CAPACITOR,0.1-25	A
C	383	87-010-197-080	CAP, CHIP 0.01 DM	A
C	381	87-010-197-080	CAP, CHIP 0.01 DM	A
C	382	87-010-318-080	C-CAP,S 47P-50 CH	A
C	384	87-010-402-080	CAP, ELECT 2.2-50V	A
C	388	87-012-156-080	C-CAP,S 220P-50 CH	A
CN	301	87-A60-620-010	CONN,3P V 2MM JMT	A
CN	351	87-A60-625-010	CONN,8P V 2MM JMT	A
D	352	87-A40-736-080	DIODE,1N4148M(SEM)	A
D	353	87-A40-736-080	DIODE,1N4148M(SEM)	A
IC	302	87-A20-355-010	IC,CXA1553P	A
IC	303	87-A20-783-040	C-IC,BA7762AFS	A
L	301	87-A50-049-010	COIL,TRAP 85K(COI)	A
L	302	87-A50-049-010	COIL,TRAP 85K(COI)	A
L	351	87-007-342-010	COIL,OSC 85K BIAS	A
Q	357	87-026-609-080	TR,KTA1266GR	A
Q	359	87-026-610-080	TR,KTC3198GR	A
Q	358	87-026-610-080	TR,KTC3198GR	A
Q	355	87-A30-063-080	C-TR,KRA104S	A
Q	354	87-A30-087-080	C-FET,2SK2158	A
Q	353	87-A30-087-080	C-FET,2SK2158	A
Q	351	87-A30-087-080	C-FET,2SK2158	A
Q	361	87-A30-076-080	C-TR,2SC3052F	A
Q	381	87-A30-076-080	C-TR,2SC3052F	A
Q	382	87-A30-076-080	C-TR,2SC3052F	A
SFR	304	87-024-355-080	SFR,33K DIA6 H	A
SFR	302	87-024-355-080	SFR,33K DIA6 H	A
SFR	303	87-024-355-080	SFR,33K DIA6 H	A
SFR	301	87-024-355-080	SFR,33K DIA6 H	A
SFR	306	87-024-356-080	SFR,47K DIA6 H	A
SFR	305	87-024-356-080	SFR,47K DIA6 H	A
SFR	351	87-024-356-080	SFR,47K DIA6 H	A
SFR	352	87-024-356-080	SFR,47K DIA6 H	A
C	104	87-010-196-080	CHIP CAPACITOR,0.1-25	A

ELECTRICAL MAIN PARTS LIST - 7/10

C	105	87-010-196-080	CHIP CAPACITOR,0.1-25	A
C	111	87-010-401-080	CAP, ELECT 1-50V	A
C	112	87-010-401-080	CAP, ELECT 1-50V	A
C	115	87-010-546-080	CAP, ELECT 0.33-50V	A
C	116	87-010-546-080	CAP, ELECT 0.33-50V	A
C	121	87-010-406-080	CAP, ELECT 22-50	A
C	122	87-010-406-080	CAP, ELECT 22-50	A
C	163	87-010-196-080	CHIP CAPACITOR,0.1-25	A
C	178	87-010-197-080	CAP, CHIP 0.01 DM	A
C	177	87-010-197-080	CAP, CHIP 0.01 DM	A
C	174	87-012-368-080	C-CAP,S 0.1-50 F	A
C	172	87-012-368-080	C-CAP,S 0.1-50 F	A
C	171	87-012-368-080	C-CAP,S 0.1-50 F	A
C	173	87-012-368-080	C-CAP,S 0.1-50 F	A
C	175	87-A11-572-080	C-CAP,S 0.015-50 K B	A
C	176	87-A11-572-080	C-CAP,S 0.015-50 K B	A
CN	101	87-A60-996-010	CONN,13P V BLK TAC-L13X-A3	A
D	101	87-A40-736-080	DIODE,1N4148M(SEM)	A
J	102	87-A60-238-010	TERMINAL,SP 4P (MSC)	A
J	101	87-A60-483-010	JACK,DIA6.3 BLK ST W/S KM	A
L	101	87-003-383-010	COIL,1UH-S	A
L	102	87-003-383-010	COIL,1UH-S	A
Q	104	87-A30-076-080	C-TR,2SC3052F	A
Q	108	87-A30-076-080	C-TR,2SC3052F	A
Q	109	87-A30-076-080	C-TR,2SC3052F	A
Q	103	87-A30-076-080	C-TR,2SC3052F	A
Q	102	87-A30-076-080	C-TR,2SC3052F	A
Q	101	87-A30-076-080	C-TR,2SC3052F	A
Q	107	87-A30-076-080	C-TR,2SC3052F	A
Q	106	87-A30-269-040	C-FET,2SJ461-T1	A
Q	105	87-A30-269-040	C-FET,2SJ461-T1	A
Q	113	87-A30-075-080	C-TR,2SA1235F	A
Q	110	87-A30-076-080	C-TR,2SC3052F	A
Q	112	87-A30-076-080	C-TR,2SC3052F	A
Q	111	87-A30-076-080	C-TR,2SC3052F	A
R	162	87-A00-441-050	RES,270-1/2W J RP	A
R	161	87-A00-441-050	RES,270-1/2W J RP	A
R	163	87-A00-441-050	RES,270-1/2W J RP	A
R	164	87-A00-441-050	RES,270-1/2W J RP	A
C	973	87-010-197-080	CAP, CHIP 0.01 DM	A
C	974	87-010-197-080	CAP, CHIP 0.01 DM	A
C	979	87-010-322-080	C-CAP,S 100P-50 CH	A
C	971	87-010-381-080	CAP, ELECT 330-16V	A
C	972	87-010-404-080	CAP, ELECT 4.7-50V	A
C	982	87-010-196-080	CHIP CAPACITOR,0.1-25	A
C	983	87-010-197-080	CAP, CHIP 0.01 DM	A
C	987	87-010-197-080	CAP, CHIP 0.01 DM	A
C	984	87-010-197-080	CAP, CHIP 0.01 DM	A
C	981	87-010-260-080	CAP, ELECT 47-25V	A
C	995	87-010-178-080	CHIP CAP 1000P	A
C	993	87-010-178-080	CHIP CAP 1000P	A
C	997	87-010-196-080	CHIP CAPACITOR,0.1-25	A
C	998	87-010-260-080	CAP, ELECT 47-25V	A
C	991	87-010-312-080	C-CAP,S 15P-50 CH	A
C	992	87-010-312-080	C-CAP,S 15P-50 CH	A
C	999	87-A11-155-080	CAP,TC U 0.01-16 Z F	A
D	804	87-A40-736-080	DIODE,1N4148M(SEM)	A
D	991	87-017-149-080	ZENER,HZS6A2L	A
IC	991	87-070-127-110	IC,LC72131 D	A
Q	981	87-A30-234-080	TR,CSC4115BC	A
R	993	87-010-322-080	C-CAP,S 100P-50 CH	A
R	991	87-010-322-080	C-CAP,S 100P-50 CH	A
R	995	87-010-322-080	C-CAP,S 100P-50 CH	A
X	991	87-A70-061-010	VIB,XTAL 4.500MHZ CSA-309	A
C	774	87-010-184-080	CHIP CAPACITOR 3300P(K)	A
C	773	87-010-184-080	CHIP CAPACITOR 3300P(K)	A
C	772	87-010-197-080	CAP, CHIP 0.01 DM	A
C	771	87-010-263-080	CAP, ELECT 100-10V	A
C	788	87-010-149-080	C-CAP,S 5P-50 CH	A
C	784	87-010-197-080	CAP, CHIP 0.01 DM	A
C	782	87-010-197-080	CAP, CHIP 0.01 DM	A
C	785	87-010-197-080	CAP, CHIP 0.01 DM	A
C	786	87-010-197-080	CAP, CHIP 0.01 DM	A
C	783	87-010-197-080	CAP, CHIP 0.01 DM	A
C	789	87-010-220-080	C-CAP,S 0.018-25 B	A
C	791	87-010-196-080	CHIP CAPACITOR,0.1-25	A
C	792	87-010-197-080	CAP, CHIP 0.01 DM	A
C	798	87-010-197-080	CAP, CHIP 0.01 DM	A
C	796	87-010-197-080	CAP, CHIP 0.01 DM	A
C	795	87-010-197-080	CAP, CHIP 0.01 DM	A
C	790	87-010-220-080	C-CAP,S 0.018-25 B	A
C	793	87-010-404-080	CAP, ELECT 4.7-50V	A
C	797	87-010-405-080	CAP, ELECT 10-50V	A
C	799	87-010-407-080	CAP, ELECT 33-50V	A
C	803	87-010-198-080	CAP, CHIP 0.022	A
C	804	87-010-263-080	CAP, ELECT 100-10V	A
C	807	87-010-400-080	CAP, ELECT 0.47-50V	A

ELECTRICAL MAIN PARTS LIST - 8/10

C	809	87-010-401-080	CAP, ELECT 1-50V	A
C	808	87-010-401-080	CAP, ELECT 1-50V	A
C	801	87-010-403-080	CAP, ELECT 3.3-50V	A
C	800	87-012-369-080	C-CAP,S 0.047-50F	A
C	802	87-012-369-080	C-CAP,S 0.047-50F	A
C	819	87-010-179-080	CAP,CHIP S B1200P	A
C	810	87-010-196-080	CHIP CAPACITOR,0.1-25	A
C	814	87-010-197-080	CAP, CHIP 0.01 DM	A
C	815	87-010-403-080	CAP, ELECT 3.3-50V	A
C	811	87-010-403-080	CAP, ELECT 3.3-50V	A
C	816	87-010-403-080	CAP, ELECT 3.3-50V	A
C	812	87-010-403-080	CAP, ELECT 3.3-50V	A
C	823	87-010-177-080	C-CAP,S 820P-50 SL	A
C	820	87-010-179-080	CAP,CHIP S B1200P	A
C	821	87-010-405-080	CAP, ELECT 10-50V	A
C	824	87-010-406-080	CAP, ELECT 22-50	A
C	825	87-010-596-080	CAP, S 0.047-16	A
D	803	87-A40-736-080	DIODE,1N4148M(SEM)	A
IC	801	87-A21-415-010	IC,LA1843	A
L	801	87-A50-266-010	COIL,FM DET-2N(TOK)	A
L	802	87-A91-110-010	FLTR,PCFJZH-450 (TOK)	A
L	811	87-005-847-080	COIL,2.2UH(CECS)	A
L	822	87-A50-209-010	COIL,1POLE MPX(MIT)	A
L	821	87-A50-209-010	COIL,1POLE MPX(MIT)	A
Q	801	87-A30-076-080	C-TR,2SC3052F	A
Q	802	87-A30-076-080	C-TR,2SC3052F	A
C	842	87-010-197-080	CAP, CHIP 0.01 DM	A
C	844	87-010-197-080	CAP, CHIP 0.01 DM	A
C	858	87-010-196-080	CHIP CAPACITOR,0.1-25	A
C	859	87-010-196-080	CHIP CAPACITOR,0.1-25	A
C	851	87-010-197-080	CAP, CHIP 0.01 DM	A
C	853	87-010-197-080	CAP, CHIP 0.01 DM	A
C	852	87-010-197-080	CAP, CHIP 0.01 DM	A
C	850	87-010-260-080	CAP, ELECT 47-25V	A
C	860	87-010-197-080	CAP, CHIP 0.01 DM	A
C	959	87-010-196-080	CHIP CAPACITOR,0.1-25	A
C	961	87-010-152-080	C-CAP,S 8P-50 CH	A
C	960	87-010-196-080	CHIP CAPACITOR,0.1-25	A
C	963	87-015-785-080	CHIP CAPACITOR, 0.1FZ-25Z	A
CF	831	87-008-261-010	FILTER, SFE10.7MA5-A	A
CF	832	87-008-261-010	FILTER, SFE10.7MA5-A	A
FFE	831	A8-8ZA-190-030	8ZA-1 FEUNM	A
J	831	87-A60-202-010	TERMINAL,ANT 4P MSP-154V-02	A
L	832	87-005-847-080	COIL,2.2UH(CECS)	A
L	951	8A-NF8-667-010	COIL,AM PACK 4 (TOK)	A
Q	836	87-A30-072-080	C-TR,RT1P 144C	A
Q	835	89-327-143-080	TR,2SC2714 (0.1W)	A
C	4	87-012-368-080	C-CAP,S 0.1-50 F	A
C	3	87-012-368-080	C-CAP,S 0.1-50 F	A
C	26	87-010-258-080	CAP,E 22-35 SME	A
C	28	87-010-258-080	CAP,E 22-35 SME	A
C	25	87-010-392-080	CAP ELECT 33SME-35V	A
C	27	87-010-392-080	CAP ELECT 33SME-35V	A
C	22	87-016-035-090	CAP, E 6800-35 VR	A
C	21	87-016-035-090	CAP, E 6800-35 VR	A
C	32	87-010-197-080	CAP, CHIP 0.01 DM	A
C	34	87-010-247-080	CAP, ELECT 100-50V	A
C	33	87-010-263-080	CAP, ELECT 100-10V	A
C	31	87-010-263-080	CAP, ELECT 100-10V	A
C	35	87-010-380-080	CAP, ELECT 47-16V	A
C	36	87-010-381-080	CAP, ELECT 330-16V	A
C	39	87-010-384-080	CAP, ELECT 100-25V	A
C	38	87-010-384-080	CAP, ELECT 100-25V	A
C	40	87-010-197-080	CAP, CHIP 0.01 DM	A
C	61	87-010-260-080	CAP, ELECT 47-25V	A
C	60	87-010-403-080	CAP, ELECT 3.3-50V	A
C	82	87-010-260-080	CAP, ELECT 47-25V	A
C	81	87-010-374-080	CAP, ELECT 47-10V	A
C	80	87-010-401-080	CAP, ELECT 1-50V	A
CN	1	87-A60-996-010	CONN,13P V BLK TAC-L13X-A3	A
CN	91	87-A60-619-010	CONN,2P V 2MM JMT	A
CNA	1	8A-NF8-653-010	CONN ASSY,9P TID-A(480)	A
D	1	87-A40-673-090	DIODE,D10XB20	A
D	27	87-A40-553-080	DIODE,1N4003 LES	A
D	26	87-A40-553-080	DIODE,1N4003 LES	A
D	25	87-A40-553-080	DIODE,1N4003 LES	A
D	28	87-A40-553-080	DIODE,1N4003 LES	A
D	29	87-A40-784-080	ZENER,UZ39BSB	A
D	33	87-070-274-080	DIODE,1N4003 SEM	A
D	34	87-A40-736-080	DIODE,1N4148M(SEM)	A
D	32	87-A40-736-080	DIODE,1N4148M(SEM)	A
D	30	87-A40-736-080	DIODE,1N4148M(SEM)	A
D	31	87-A40-764-080	ZENER,UZ10BSC	A
D	64	87-A40-269-080	C-DIODE,MC2836	A
D	63	87-A40-270-080	C-DIODE,MC2838	A
D	66	87-A40-313-080	C-DIODE,MC 2840	A
D	61	87-A40-313-080	C-DIODE,MC 2840	A

ELECTRICAL MAIN PARTS LIST - 9/10

D	62	87-A40-313-080	C-DIODE,MC 2840	A
D	60	87-A40-736-080	DIODE,1N4148M(SEM)	A
D	65	87-A40-768-080	ZENER,UZ16BSA	A
D	84	87-A40-736-080	DIODE,1N4148M(SEM)	A
D	85	87-A40-736-080	DIODE,1N4148M(SEM)	A
Q	5	87-026-610-080	TR,KTC3198GR	A
Q	7	87-A30-075-080	C-TR,2SA1235F	A
Q	8	87-A30-075-080	C-TR,2SA1235F	A
Q	6	87-A30-076-080	C-TR,2SC3052F	A
Q	1	87-A30-217-010	TR,2SB1436(R)	A
Q	2	87-A30-217-010	TR,2SB1436(R)	A
Q	9	87-A30-318-080	TR,CSA952K	A
Q	3	89-213-702-010	TR,2SB1370(1.8W)	A
Q	4	89-213-702-010	TR,2SB1370(1.8W)	A
Q	10	87-A30-076-080	C-TR,2SC3052F	A
Q	63	87-A30-075-080	C-TR,2SA1235F	A
Q	61	87-A30-075-080	C-TR,2SA1235F	A
Q	60	87-A30-076-080	C-TR,2SC3052F	A
Q	62	87-A30-076-080	C-TR,2SC3052F	A
Q	64	87-A30-076-080	C-TR,2SC3052F	A
Q	82	87-026-610-080	TR,KTC3198GR	A
Q	80	87-A30-075-080	C-TR,2SA1235F	A
Q	81	87-A30-076-080	C-TR,2SC3052F	A
Q	84	87-A30-218-080	TR,2SB1237(Q)	A
R	25	87-A00-261-080	RES,M/F 0.56-1W J	A
WH	1	87-A90-510-010	HLDR,WIRE 2.5-9P	A
C	606	87-010-318-080	C-CAP,S 47P-50 CH	A
C	603	87-010-318-080	C-CAP,S 47P-50 CH	A
C	604	87-010-318-080	C-CAP,S 47P-50 CH	A
C	605	87-010-318-080	C-CAP,S 47P-50 CH	A
C	616	87-010-180-080	C-CER 1500P	A
C	613	87-010-197-080	CAP,CHIP 0.01 DM	A
C	617	87-010-198-080	CAP,CHIP 0.022	A
C	619	87-010-263-080	CAP,ELECT 100-10V	A
C	612	87-010-369-080	C-CAP,S 0.033-25 K B	A
C	615	87-010-401-080	CAP,ELECT 1-50V	A
C	618	87-010-401-080	CAP,ELECT 1-50V	A
C	611	87-010-956-080	CHIP-CAP,S 0.068-25B	A
C	614	87-016-669-080	C-CAP,S 0.1-25 K B	A
C	621	87-010-197-080	CAP,CHIP 0.01 DM	A
C	628	87-010-400-080	CAP,ELECT 0.47-50V	A
C	627	87-010-400-080	CAP,ELECT 0.47-50V	A
C	624	87-010-401-080	CAP,ELECT 1-50V	A
C	623	87-010-401-080	CAP,ELECT 1-50V	A
C	620	87-016-669-080	C-CAP,S 0.1-25 K B	A
C	629	87-A11-590-080	C-CAP,S 0.047-16 K B	A
C	626	87-A11-590-080	C-CAP,S 0.047-16 K B	A
C	632	87-010-185-080	C-CAP,S 3900P-50 B	A
C	631	87-010-185-080	C-CAP,S 3900P-50 B	A
C	633	87-010-196-080	CHIP CAPACITOR,0.1-25	A
C	634	87-010-196-080	CHIP CAPACITOR,0.1-25	A
C	630	87-010-263-080	CAP,ELECT 100-10V	A
C	639	87-010-405-080	CAP,ELECT 10-50V	A
C	637	87-016-669-080	C-CAP,S 0.1-25 K B	A
C	635	87-016-669-080	C-CAP,S 0.1-25 K B	A
C	638	87-016-669-080	C-CAP,S 0.1-25 K B	A
C	636	87-016-669-080	C-CAP,S 0.1-25 K B	A
C	642	87-010-401-080	CAP,ELECT 1-50V	A
C	641	87-010-401-080	CAP,ELECT 1-50V	A
C	644	87-010-401-080	CAP,ELECT 1-50V	A
C	679	87-010-196-080	CHIP CAPACITOR,0.1-25	A
C	673	87-010-197-080	CAP,CHIP 0.01 DM	A
C	672	87-010-322-080	C-CAP,S 100P-50 CH	A
C	671	87-010-322-080	C-CAP,S 100P-50 CH	A
C	682	87-010-196-080	CHIP CAPACITOR,0.1-25	A
C	680	87-010-197-080	CAP,CHIP 0.01 DM	A
CN	605	87-099-568-010	CONN,11P TUC-P11P-B1	A
CN	601	87-099-719-010	CONN,30P TYK-B(X)	A
CN	602	87-A60-131-010	CONN,6P V FE	A
D	603	87-A40-736-080	DIODE,1N4148M(SEM)	A
D	602	87-A40-745-080	ZENER,UZ4.7BSA	A
D	601	87-A40-802-080	ZENER,UZ5.1BSC	A
IC	601	87-A21-452-040	C-IC,BD3876KS2	A
J	601	87-A60-885-010	JACK,PIN 6P R/W MSC	A
Q	601	87-026-609-080	TR,KTA1266GR	A
Q	605	87-A30-086-070	C-TR,CSD1306E	A
Q	606	87-A30-086-070	C-TR,CSD1306E	A
C	506	87-010-184-080	CHIP CAPACITOR 3300P(K)	A
C	502	87-010-196-080	CHIP CAPACITOR,0.1-25	A
C	501	87-010-263-080	CAP,ELECT 100-10V	A
C	505	87-012-141-080	CHIP-CAPACITOR,0.22-16F	A
C	508	87-016-669-080	C-CAP,S 0.1-25 K B	A
C	509	87-016-669-080	C-CAP,S 0.1-25 K B	A
C	507	87-A11-550-080	C-CAP,S 820P-50 K B	A
C	503	87-A11-606-080	C-CAP,S 0.22-25 K B	A
C	504	87-A11-606-080	C-CAP,S 0.22-25 K B	A
C	518	87-010-183-080	C-CAP,S 2700P-50 B	A

ELECTRICAL MAIN PARTS LIST - 10/10

C	517	87-010-183-080	C-CAP,S 2700P-50 B	A.....
C	510	87-010-184-080	CHIP CAPACITOR 3300P(K)	A.....
C	514	87-010-374-080	CAP, ELECT 47-10V	A.....
C	516	87-010-401-080	CAP, ELECT 1-50V	A.....
C	515	87-010-401-080	CAP, ELECT 1-50V	A.....
C	513	87-010-544-080	CAP, ELECT 0.1-50V	A.....
C	511	87-A11-550-080	C-CAP,S 820P-50 K B	A.....
C	512	87-A11-606-080	C-CAP,S 0.22-25 K B	A.....
C	535	87-010-178-080	CHIP CAP 1000P	A.....
C	532	87-010-196-080	CHIP CAPACITOR,0.1-25	A.....
C	533	87-010-196-080	CHIP CAPACITOR,0.1-25	A.....
C	536	87-010-196-080	CHIP CAPACITOR,0.1-25	A.....
C	538	87-010-318-080	C-CAP,S 47P-50 CH	A.....
C	531	87-010-560-080	CAP,E 10-50 GAS	A.....
C	534	87-012-156-080	C-CAP,S 220P-50 CH	A.....
C	541	87-010-178-080	CHIP CAP 1000P	A.....
D	501	87-A40-747-080	ZENER,UZ5.1BSB	A.....
FB	501	87-008-372-080	FILTER, EMI BL OIRNI	A.....
IC	501	87-A21-018-040	C-IC,M65849BFP631D	A.....
Q	532	87-A30-075-080	C-TR,2SA1235F	A.....
Q	531	87-A30-076-080	C-TR,2SC3052F	A.....
C	201	87-010-402-080	CAP, ELECT 2.2-50V	A.....
C	202	87-010-402-080	CAP, ELECT 2.2-50V	A.....
C	205	87-010-404-080	CAP, ELECT 4.7-50V	A.....
C	209	87-016-460-080	C-CAP,S 0.22-16 B	A.....
C	207	87-016-669-080	C-CAP,S 0.1-25 K B	A.....
C	208	87-016-669-080	C-CAP,S 0.1-25 K B	A.....
C	219	87-010-183-080	C-CAP,S 2700P-50 B	A.....
C	215	87-010-197-080	CAP, CHIP 0.01 DM	A.....
C	216	87-010-197-080	CAP, CHIP 0.01 DM	A.....
C	218	87-010-198-080	CAP, CHIP 0.022	A.....
C	217	87-010-198-080	CAP, CHIP 0.022	A.....
C	214	87-010-956-080	CHIP-CAP,S 0.068-25B	A.....
C	213	87-010-956-080	CHIP-CAP,S 0.068-25B	A.....
C	212	87-012-365-080	C-CAP,S 0.027-25VBK	A.....
C	211	87-012-365-080	C-CAP,S 0.027-25VBK	A.....
C	210	87-016-460-080	C-CAP,S 0.22-16 B	A.....
C	227	87-010-112-080	CAP, ELECT 100-16V	A.....
C	223	87-010-178-080	CHIP CAP 1000P	A.....
C	224	87-010-178-080	CHIP CAP 1000P	A.....
C	226	87-010-182-080	C-CAP,S 2200P-50 B	A.....
C	225	87-010-182-080	C-CAP,S 2200P-50 B	A.....
C	220	87-010-183-080	C-CAP,S 2700P-50 B	A.....
C	221	87-010-188-080	CAP,CHIP 6800P	A.....
C	222	87-010-188-080	CAP,CHIP 6800P	A.....
C	228	87-010-196-080	CHIP CAPACITOR,0.1-25	A.....
C	229	87-010-322-080	C-CAP,S 100P-50 CH	A.....
C	230	87-010-322-080	C-CAP,S 100P-50 CH	A.....
C	231	87-010-322-080	C-CAP,S 100P-50 CH	A.....
CN	201	87-A60-546-010	CONN,11P H GRY TUC-P11X-C1	A.....
IC	201	87-A20-869-040	C-IC,M62449FP	A.....

MECHANICAL PARTS LIST - 1/2

NOTE: The characters in the suffix column indicate the part usage.

REF.NO	PARTS NO.	XX KANRI NO.	DESCRIPTION	SUFFIX
LH		XX		A
	88-NF3-090-010		RING, FOOT	A
	8A-NF3-028-010		BOX, CASS L	A
	8A-NF3-029-010		BOX, CASS R	A
	8A-NF3-031-010		PANEL, FR U	A
	8A-NF3-034-010		PANEL, FR LH	A
	8A-NF3-039-010		PANEL, CASS L	A
	8A-NF3-040-010		PANEL, CASS R	A
	8A-NF3-042-010		PANEL ASSY, TRAY	A
	8A-NF3-047-010		PANEL, CD	A
	8A-NF3-048-010		PANEL, REFLECTOR- CD	A
	8A-NF3-049-010		PANEL, KEY-CD	A
	8A-NF3-058-010		WINDOW, CASS L	A
	8A-NF3-059-010		WINDOW, CASS R	A
	8A-NF4-051-010		WINDOW, DISP	A
	8Z-NF3-048-010		COVER, BOTTOM	A
*	8A-NF3-001-010		CABI, FR	A
*	8A-NF3-026-010		CABI, BOTTOM	A
*	8A-NF3-027-010		CABI, STEEL	A
*	8A-NF4-011-010		CABI, REAR LHSM	A
*	8A-NF4-013-010		CABI, REAR USM	A
*	8A-NF4-052-010		WINDOW, DISP U	A
	8A-NF3-061-010		KEY, GEQ	A
	8A-NF3-062-010		KEY, DSP	A
	8A-NF3-063-010		KEY ASSY, OPE	A
	8A-NF3-065-010		KEY, KARAOKE	A
	8A-NF3-067-010		KEY, BBE	A
	8A-NF3-068-010		KEY, JOG	A
	8A-NF3-069-010		KEY, SPICE	A
	8A-NF3-070-010		KEY, ECO	A
	8A-NF3-071-010		KEY, CD	A
	8A-NF3-072-010		KEY, FUNC	A
	8A-NF3-073-010		KEY, REC U	A
	8A-NF3-076-010		RING, VOL	A
	8A-NF3-077-010		RING, JOG H	A
	8A-NF3-078-010		RING, JOG U	A
	8A-NF3-081-010		KNOB, RTRY VOL	A
	8A-NF3-082-010		KNOB, RTRY JOG	A
	81-532-080-010		LABEL, CASS. COMPT	A
	8A-NF3-087-010		REFLECTOR, JOG	A
	8A-NF3-088-010		REFLECTOR, FUNC	A
	8A-NF3-089-010		REFLECTOR, CD	A
	8A-NF3-090-010		REFLECTOR, CASS L	A
	8A-NF3-091-010		REFLECTOR, CASS R	A
	8Z-NF3-643-010		CONN ASSY, 3P PB	A
	8Z-NF3-644-010		CONN ASSY, 8P RPB	A
	84-ZG1-245-210		CAP, OPTICAL	A
	82-NF5-218-010		SPR-T, EJECT 1 (SIN)	A
	82-NF5-219-010		SPR-T, EJECT 2 (SIN)	A
	82-NF5-229-010		PLATE, LOCK	A
	86-NF9-224-010		SPR-C, LOCK	A
	87-064-185-010		HLDR, WIRE	A
	87-NF4-215-010		HLDR, FFC	A
	87-NF4-216-010		HLDR, LOCK 1	A
	87-NF4-217-110		HLDR, LOCK 2	A
	87-NF4-221-010		HLDR, CABLE	A
	87-NF8-220-010		DMPR, 150	A
	8A-NF3-225-010		COVER, HLDR	A
*	8A-NF3-201-010		GUIDE, LED-FUNC	A
*	8A-NF3-203-010		GUIDE, LED-CD	A
*	8A-NF3-213-010		HLDR, HT-SINK L	A
*	8A-NF3-214-010		HLDR, HT-SINK R	A
*	8A-NF3-221-010		HLDR, IC-VM	A
*	8A-NF3-223-010		HLDR, FAN	A
*	8A-NF8-206-010		HLDR, PWB M	A
	87-067-641-010		UTT2+3-8 (W/O SLOT) BL	A
	87-067-689-010		TAPPING SCREW, BVT2+3-8	A
	87-067-703-010		TAPPING SCREW, BVT2+3-10	A
	87-067-975-010		S-SCREW, IT+4-8	A
	87-591-095-410		TAPPING SCREW, QIT+3-8 (GLD)	A
	87-721-096-410		QT2+3-10 GLD	A
	87-721-097-410		QT2+3-12 GLD	A
	87-NF4-224-010		S-SCREW, IT3B+3-8 CU	A
	87-067-822-010		BVT2+3-20 W/O SLOT	A
*	8A-NF3-208-010		HLDR, CHAS L	A
*	8A-NF3-209-010		HLDR, CHAS R	A
*	8A-NF3-210-010		HLDR, SIDE L	A
*	8A-NF3-211-010		HLDR, SIDE R	A
*	8A-NF3-212-010		HLDR, REAR	A
	87-085-185-010		BUSHING, AC CORD (E)	A
	87-A91-422-010		BUSHING, AC CORD (U)	A
	87-A91-423-010		FAN, AD0612DS-D7OGL	A

MECHANICAL PARTS LIST - 2/2

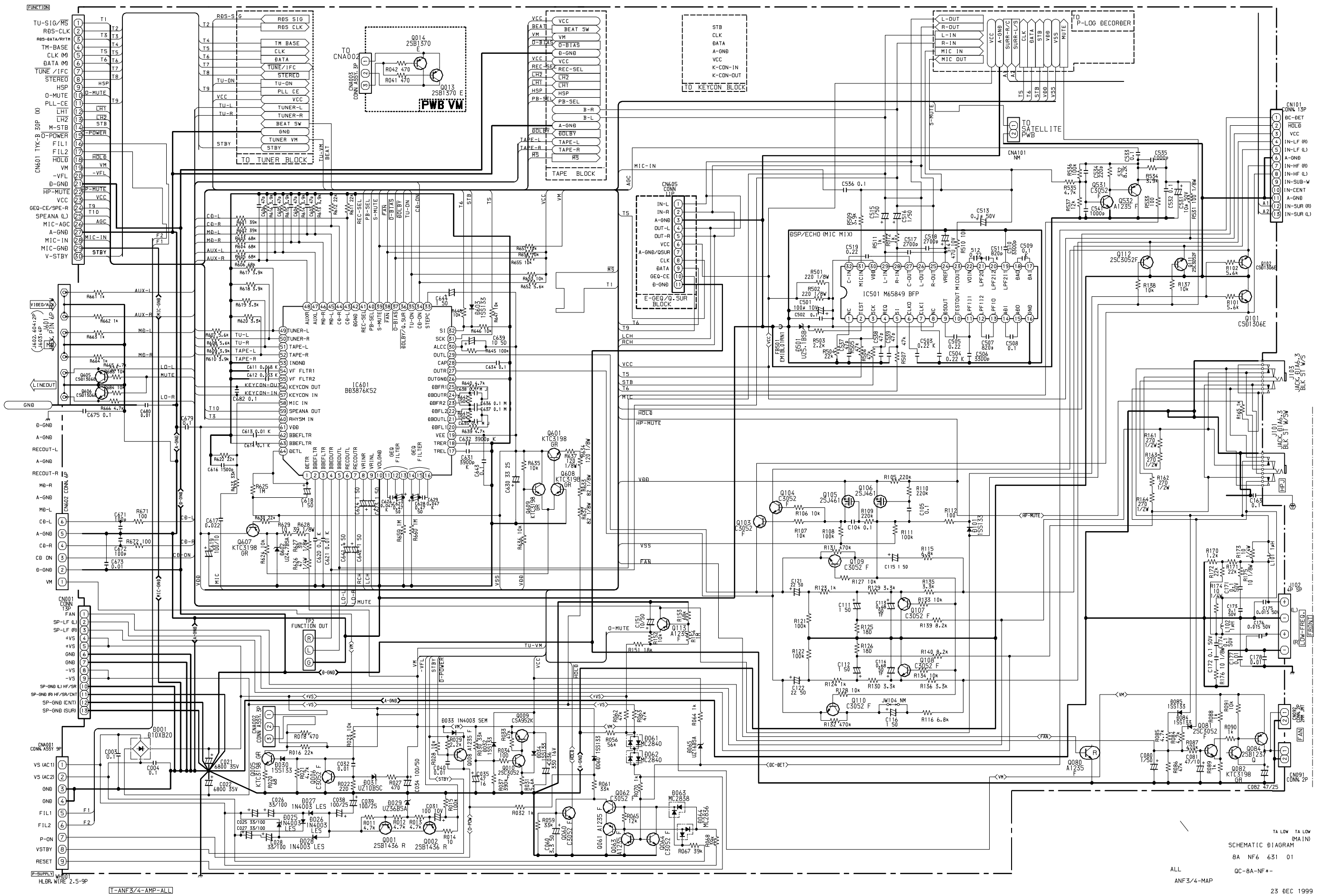
		87-A91-711-010	FAN, 3110GL-B4W-B34-H02 -400MM	A.....
		88-905-081-110	FF-CABLE, 5P 1.25	A.....
		88-906-481-110	FF-CABLE, 6P 1.25 480MM	A.....
		88-908-381-110	FF-CABLE, 8P 1.25	A.....
		88-914-481-110	FF-CABLE, 14P 1.25 480MM	A.....
		88-915-161-110	FF-CABLE, 15P 1.25	A.....
F	102	87-035-458-010	FUSE, 4A 250V T W/C	A.....
F	101	87-035-458-010	FUSE, 4A 250V T W/C	A.....
F	101	87-035-493-010	FUSE, 8A 125V
PT	101	8A-NF4-601-010	PT, U EI96-60 ANF-4
PT	101	8A-NF4-602-010	PT, LH EI96-60 ANF-4	A.....
W	101	87-A80-148-010	AC CORD ASSY, E BLK	A.....
W	101	87-A80-149-010	AC CORD ASSY, U BLK
		87-067-680-010	BVI T3+3-10	A.....
WH	103	87-A90-459-010	HLDR, WIRE 2.5-5P	A.....
WH	1	87-A90-510-010	HLDR, WIRE 2.5-9P	A.....

ACCESSORIES / PACKAGE LIST - 1/1

NOTE: The characters in the suffix column indicate the part usage.

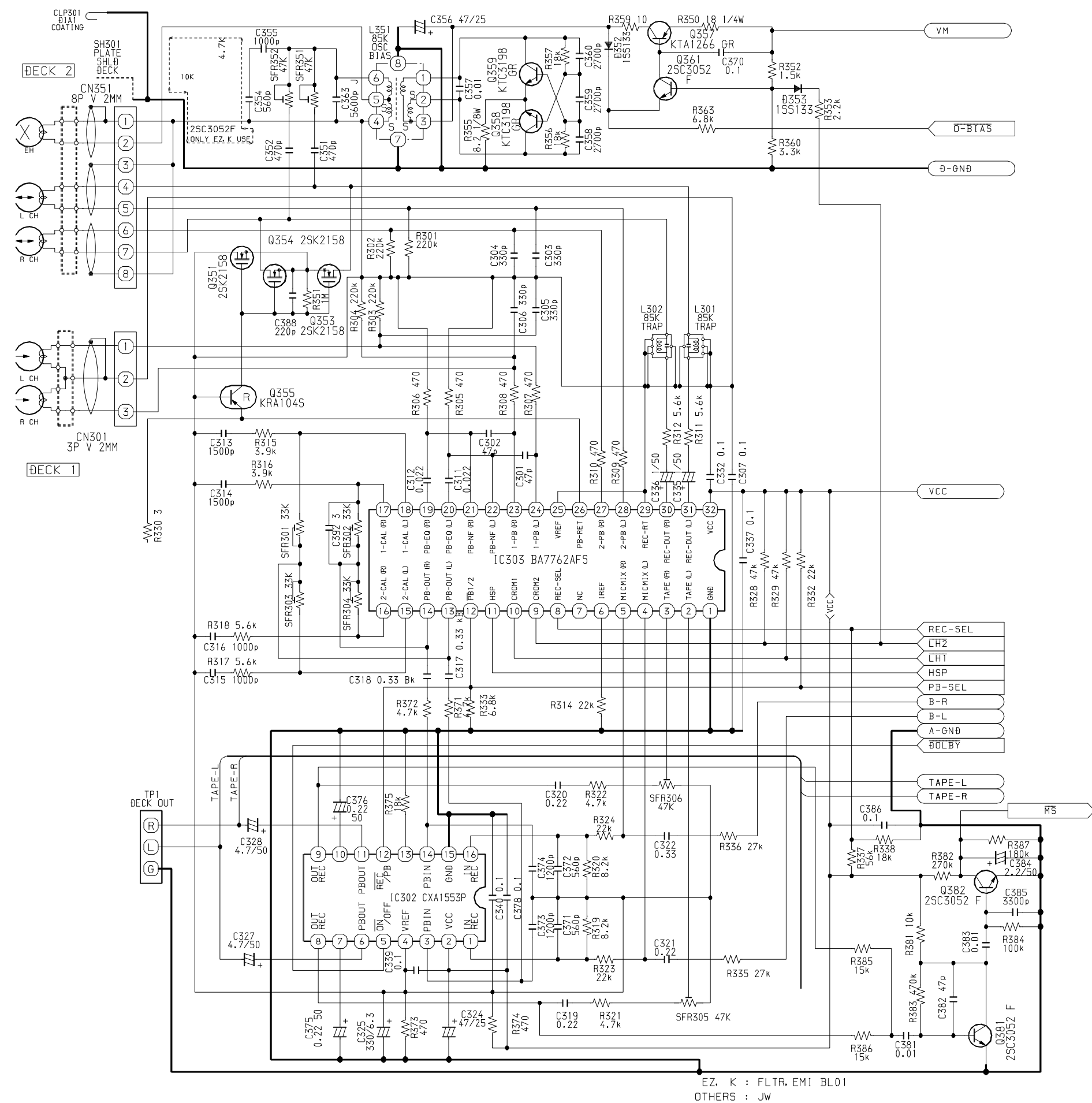
REF.NO	PARTS NO.	NO.	DESCRIPTION	SUFFIX
LH		XX		A
		KANRI		
	8A-NF4-902-010		IB,LH (ESP) M	A
	8A-NF4-903-010		IB,U (ESF) M	.
	87-006-225-010		AM LOOP ANT NC2	A
	87-043-115-010		ANT, FEEDER FM	A
	87-A91-017-010		PLUG, CONVERSION JT-0476	A
	8Z-NF5-702-010		RC UNIT, RC-ZAS04	A

SCHEMATIC DIAGRAM - 1 (MAIN 1/3)



TA LOW TA LOW
 SCHEMATIC DIAGRAM
 8A NF6 631 01
 ALL QC-8A-NF+-
 ANF3/4-MAP
 23 DEC 1999

SCHEMATIC DIAGRAM - 2 (MAIN 2/3 : DECK SECTION)



EZ, K : FLTR, EMI BL01
OTHERS : JW

T-ANF3/4-DECK-ALL

	WITH DOLBY	W/O_DOLBY (R+R)	W/O_DOLBY (R+1_1+1)
JR303	C-JR	X	X
JR304	C-JR	X	X
C379	X	22/25	22/50
C380	X	22/50	22/50
C313	1200P	1000P	1500P
C314	1200P	1000P	1500P
R315	4.7K	5.6K	5.6K
R316	4.7K	5.6K	5.6K
C315	1000P	1000P	2200P
C316	1000P	1000P	2200P
R317	5.6K	5.6K	5.6K
R318	5.6K	5.6K	5.6K
C391	270P	56P	56P
C392	270P	56P	56P
C393	270P	56P	56P
C394	270P	56P	56P
R395	X	100K	100K
R396	X	100K	100K
R397	X	100K	100K
R398	X	100K	100K
SFR301	33K	X	X
SFR302	33K	X	X
SFR303	33K	X	X
SFR304	33K	X	X
C317	0.33 BK	C-JR	C-JR
C318	0.33 BK	C-JR	C-JR
R371	4.7K	39	39
R372	4.7K	39	39
C375	0.22/50	X	X
C376	0.22/50	X	X
R375	18K	X	X
JR301	X	C-JR	C-JR
JR302	X	C-JR	C-JR

	USE BA7762AFS	USE HA12211
Q360	X	2SK2158
R330	X	C-JR
R331	X	33K
JR336	X	C-JR

	WITH DOLBY	W/O_DOLBY (R+R+R+1_1+1)
IC302	CXA1553P	X
C309	X	0.1
C310	X	0.1
C319	0.22	X
C320	0.22	X
R321	4.7K	X
R322	4.7K	X
SFR305	50K	X
SFR306	50K	X
C371	820P	X
C372	820P	X
C373	1200P	0.15
C374	1200P	0.15
R319	4.7K	22K
R320	4.7K	22K
R323	22K	C-JR
R324	22K	C-JR
C321	0.22	0.33
C322	0.22	0.33
R335	27K	22K
R336	27K	22K
R391	X	15K
R392	X	15K
R385	15K	X
R386	15K	X
R383	470K	820K
C387	X	270P
C382	47P	15P
R389	C-JR	6.8K
Q383	X	2SA1235
C385	3300P	X

	EZ K MODEL	EXCEPT EZ K
Q356	2SC3052F	X
R362	4.7K	X
R365	10K	X

	EZ K MODEL	EXCEPT EZ
FB301	EMIBL01RN	JW

TA LOW TA LOW
SCHEMATIC DIAGRAM (DECK)
8A NF6 631 01

ALL
ANF3/4-DECK

SCHEMATIC DIAGRAM – 3 (MAIN 3/3 : TUNER SECTION)

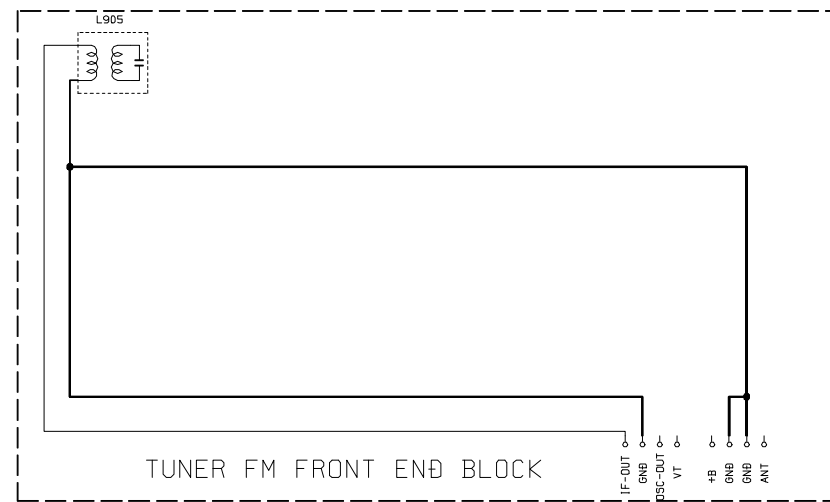
IFT COIL

	PARTS NO./ PARTS CODE		
	U/LH, EZ, K, G, V	HE/HR/HC	D/HD
1ST	87-A91-551-01 FLTR, PCFJ2H-450 L (TOK)	87-A91-552-01 FLTR, CFM1-450AL (TOK)	87-A91-553-01 FLTR, PCFMT-060L (TOK)
2ND			
3RD			

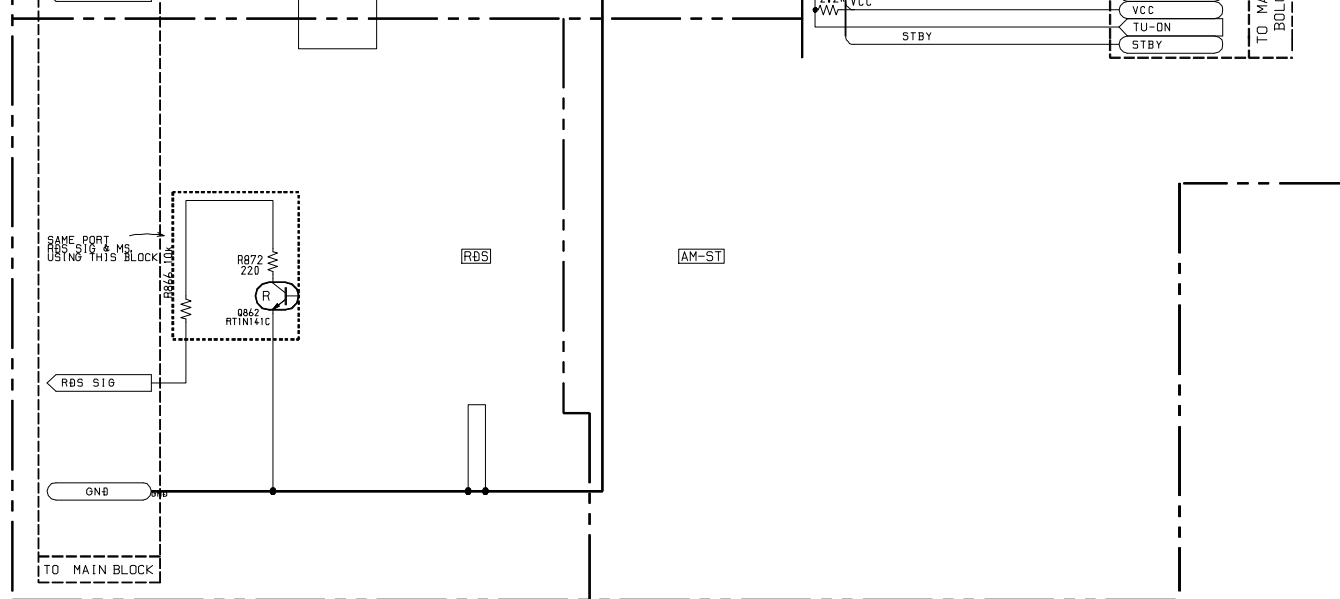
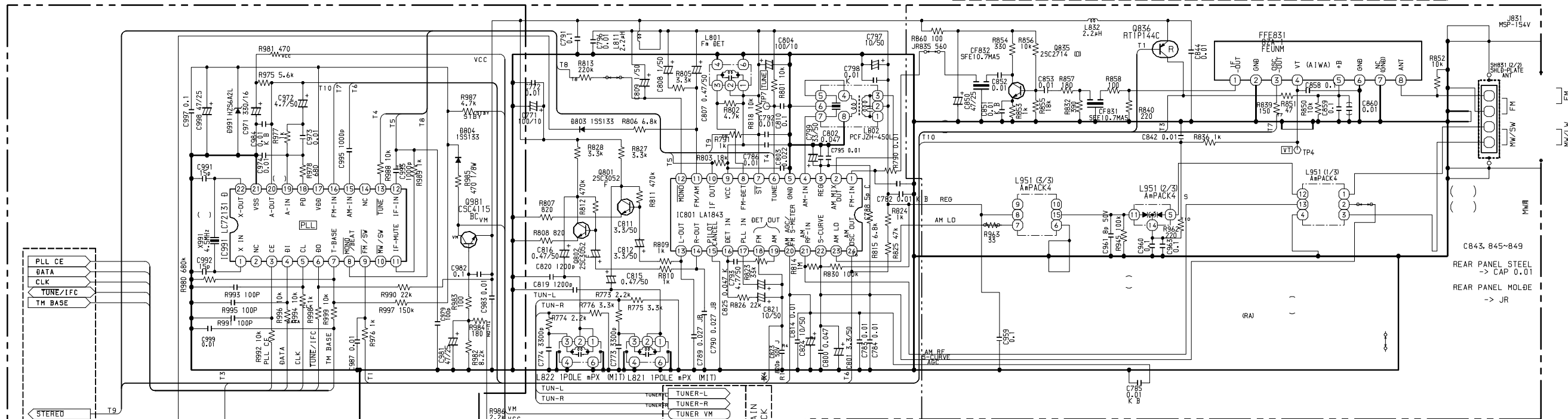
AM PACK

	PARTS NO./ PARTS CODE	
	U/LH, D/HD, V	EZ, K, G
1ST	8A-NF8-667-01 COIL, AM PACK4 (TOK)	8A-NF8-668-01 COIL, AM PACK (TOK)
2ND		
3RD		

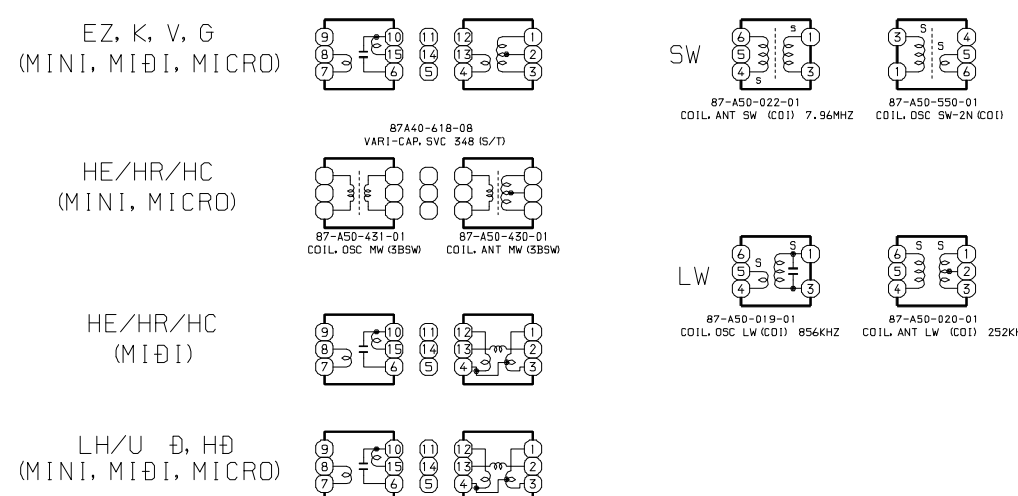
*EXCEPT SW BAND MODEL (HE/HR/HC)



TUNER FM FRONT END BLOCK



AM PACK OSC COIL ANT COIL



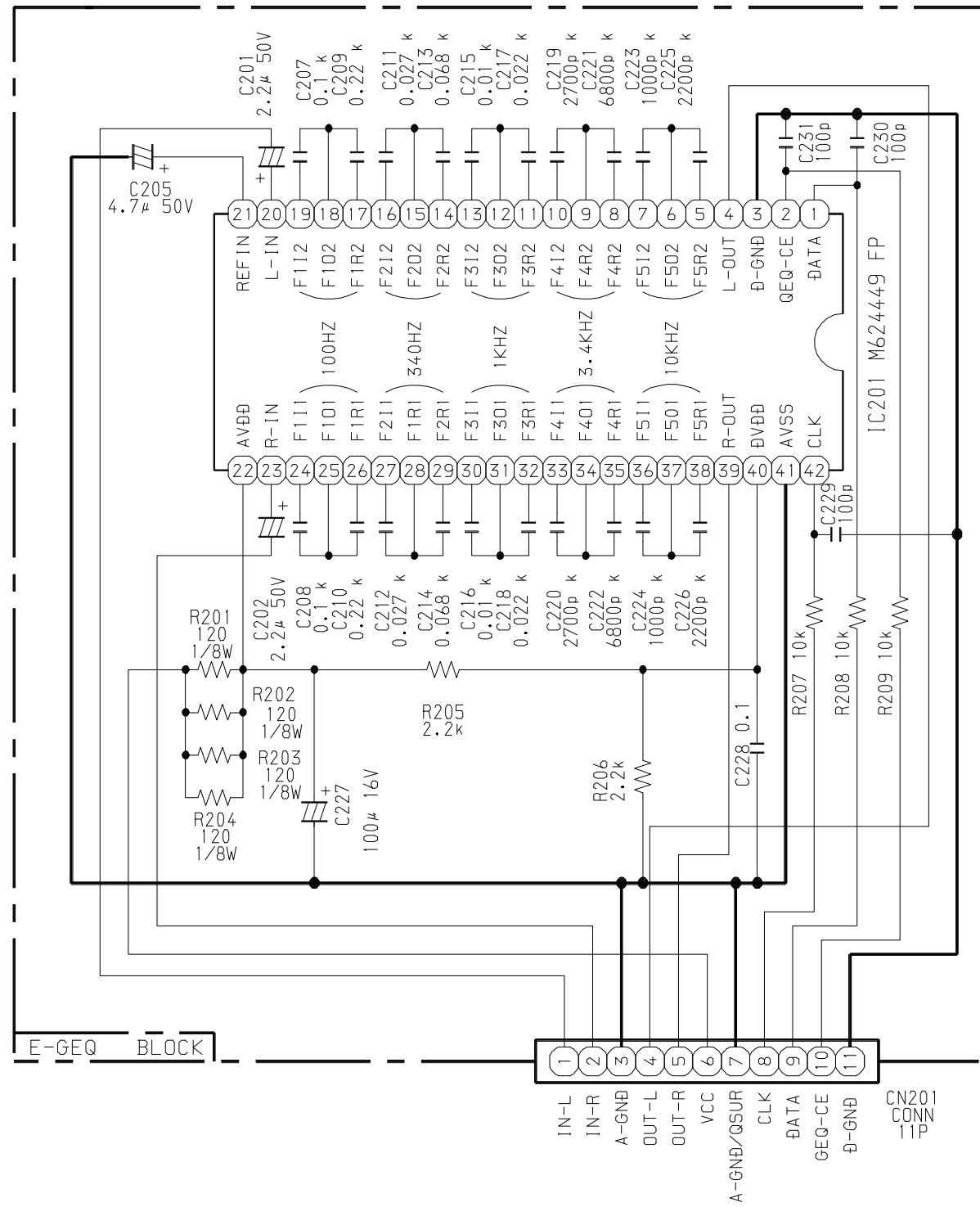
G, TAKEZAWA (TUNER) SCHEMATIC DIAGRAM

ALL ANF-3/4

27 DEC 1999

T-ANF3/4-TUNER-P1

SCHEMATIC DIAGRAM - 4 (GEQ)



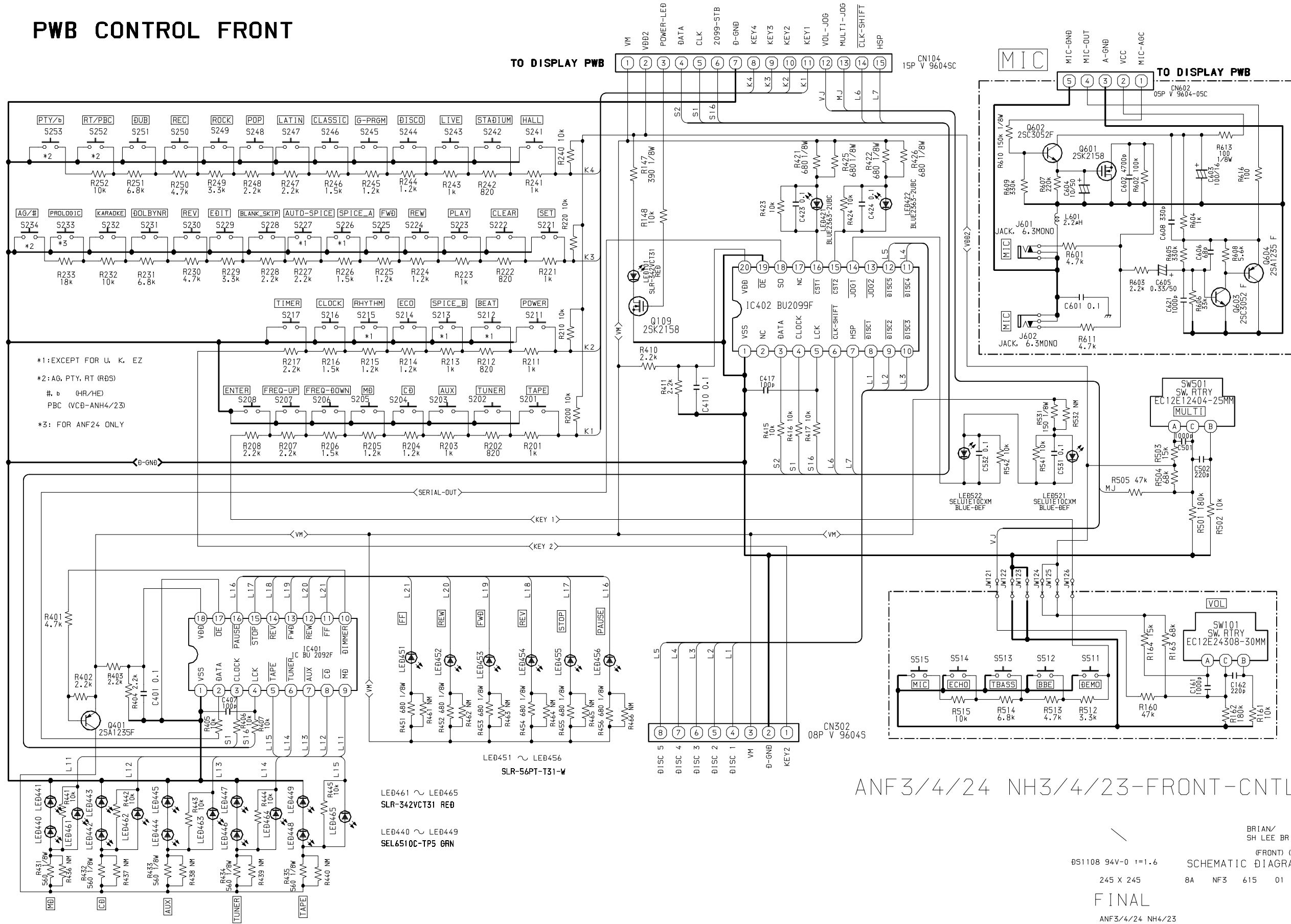
TA LOW TA LOW
 (E-GEQ)
 SCHEMATIC DIAGRAM
 8A NF6 634 01

ALL
 ANF3/4-GEQ

ANF3/4-GEQ-ALL

23 DEC 1999

PWB CONTROL FRONT

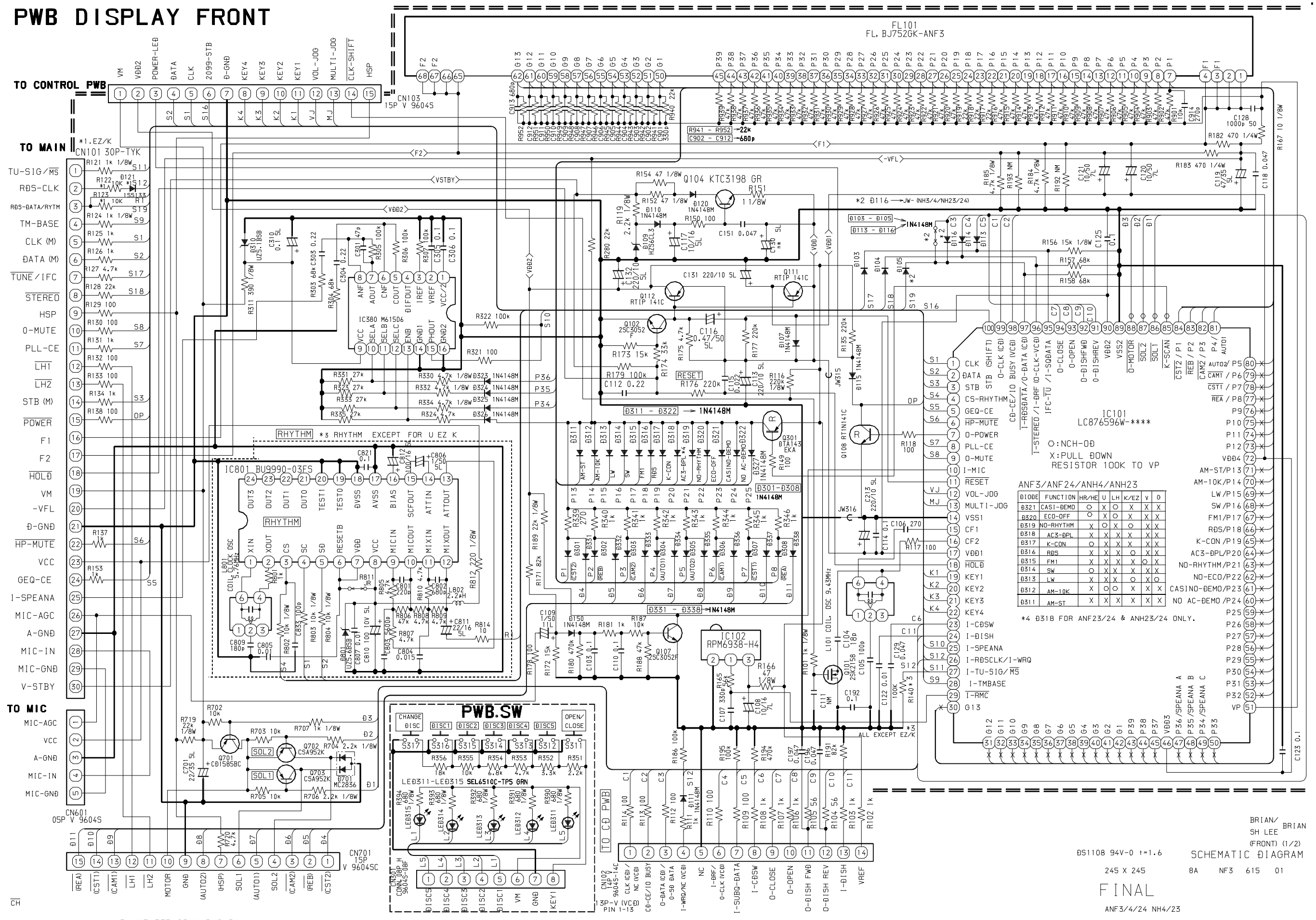


ANF3/4/24 NH3/4/23-FRONT-CNTL

BRIAN/
SH LEE BRIAN
(FRONT) (2/2)
SCHEMATIC DIAGRAM
245 X 245 8A NF3 615 01

FINAL
ANF3/4/24 NH4/23

PWB DISPLAY FRONT



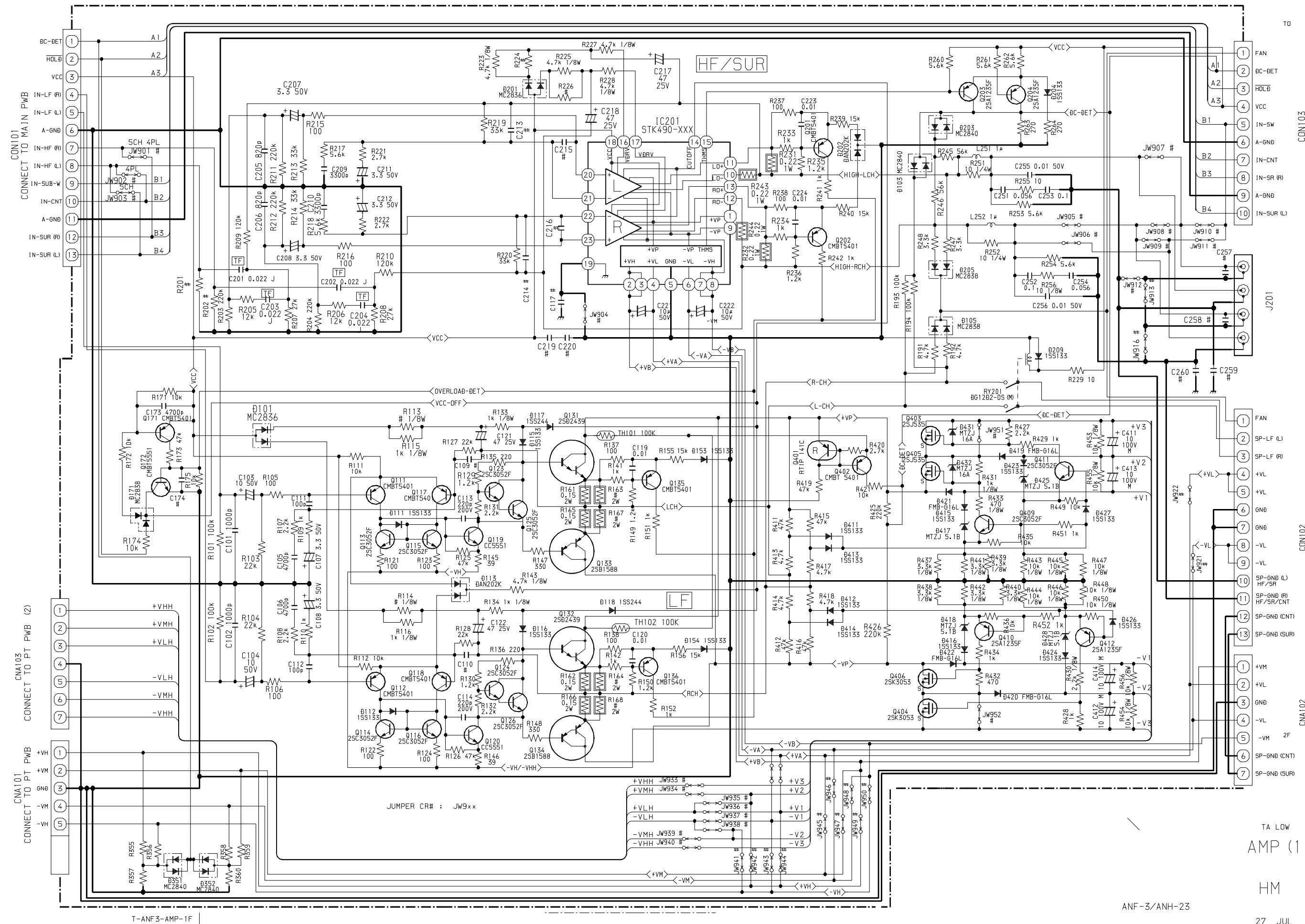
ANF3/ANF24/ANH4/ANH23

DIODE	FUNCTION	HR/HE	U	LH	K/EZ	V	0
B321	CASI-DEMO	O	X	O	X	X	X
B320	ECO-OFF	O	X	O	X	X	X
B319	NO-RHYTHM	X	O	X	O	X	X
B318	AC3-DPL	X	X	X	X	X	X
B317	K-CON	O	X	X	X	X	X
B316	RBS	X	X	X	O	X	X
B315	FM1	X	X	X	X	X	X
B314	SW	O	X	X	X	X	X
B313	LW	X	X	X	X	X	O
B312	AM-10K	X	O	O	X	X	X
B311	AM-ST	X	X	X	X	X	X

*4 B318 FOR ANF23/24 & ANH23/24 ONLY.

BRIAN/ BRIAN
SH LEE
(FRONT) (1/2)
SCHEMATIC DIAGRAM
8A NF3 615 01
245 X 245
ANF3/4/24 NH4/23
FINAL

SCHEMATIC DIAGRAM - 7 (AMP)



T-ANF3-AMP-1F

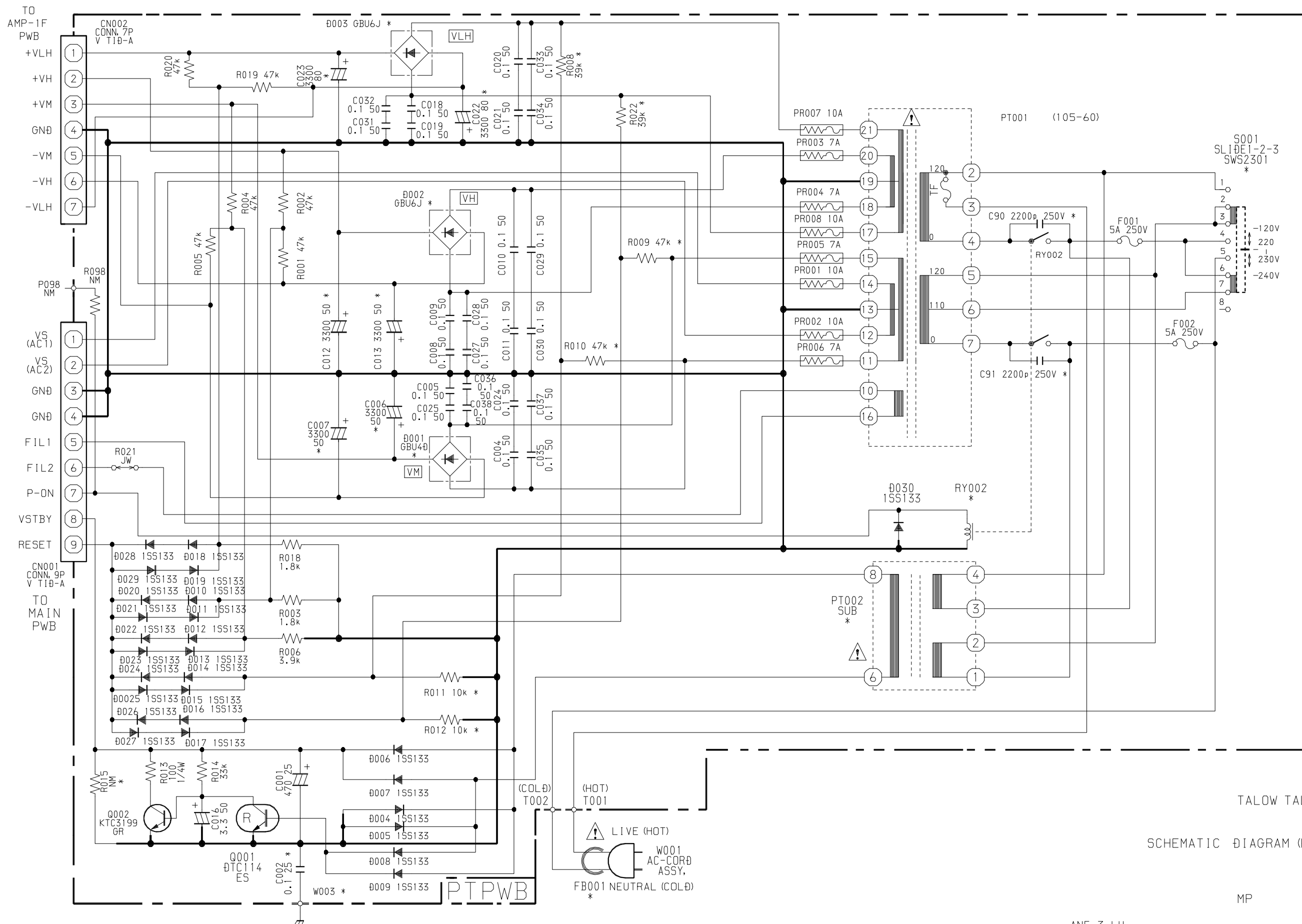
ANF-3/ANH-23

TA LOW
AMP (1F)

HM

27 JUL 99

SCHEMATIC DIAGRAM - 8 (PT)



TALOW TALOW
SCHEMATIC DIAGRAM (PT)

MP

ANF-3 LH

20 DEC 1999

アイワ株式会社 〒110-8710 東京都台東区池之端1-2-11 ☎03(3827)3111 (代表)
AIWA CO.,LTD. 2-11, IKENOHATA 1-CHOME, TAITO-KU, TOKYO 110, JAPAN TEL:03 (3827) 3111