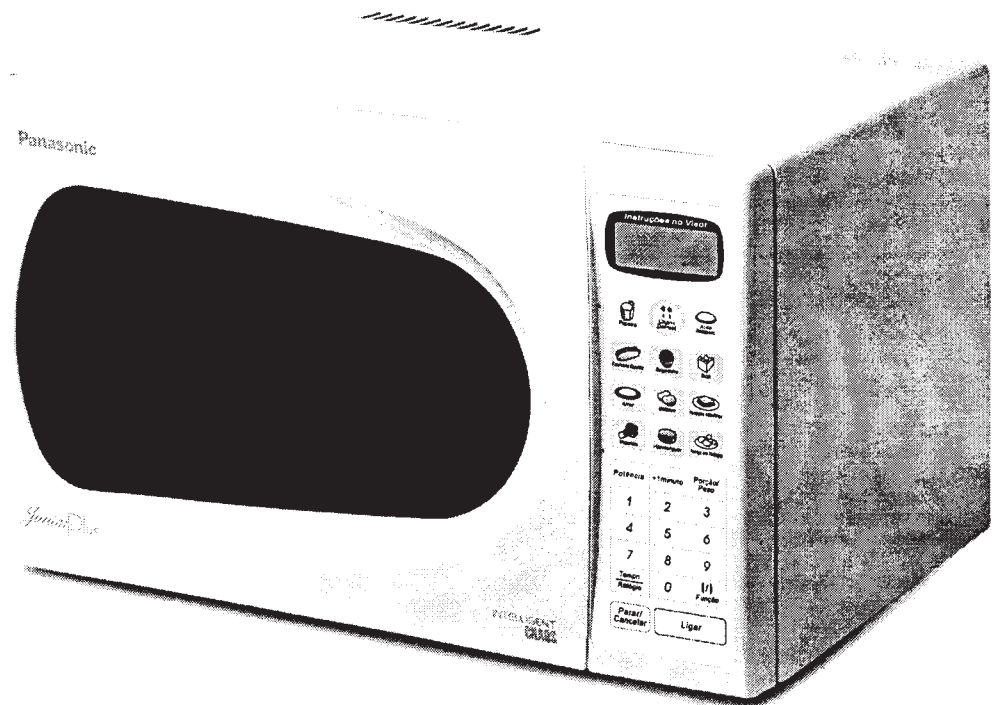


Manual de Serviço

Fornos de Microondas



Modelos

NN 5556 BH/BK
NN 5557 BAK/BAH/BH/BK
NN 4558 BK/BH
NN 5658 BH/BKBHGR/BKGR
NN 6957 BH/BK
NN 6958 BH/BK
NN 6658 BAH/BAK
NN 7858 BH/BK
NN 7958 BH/BK

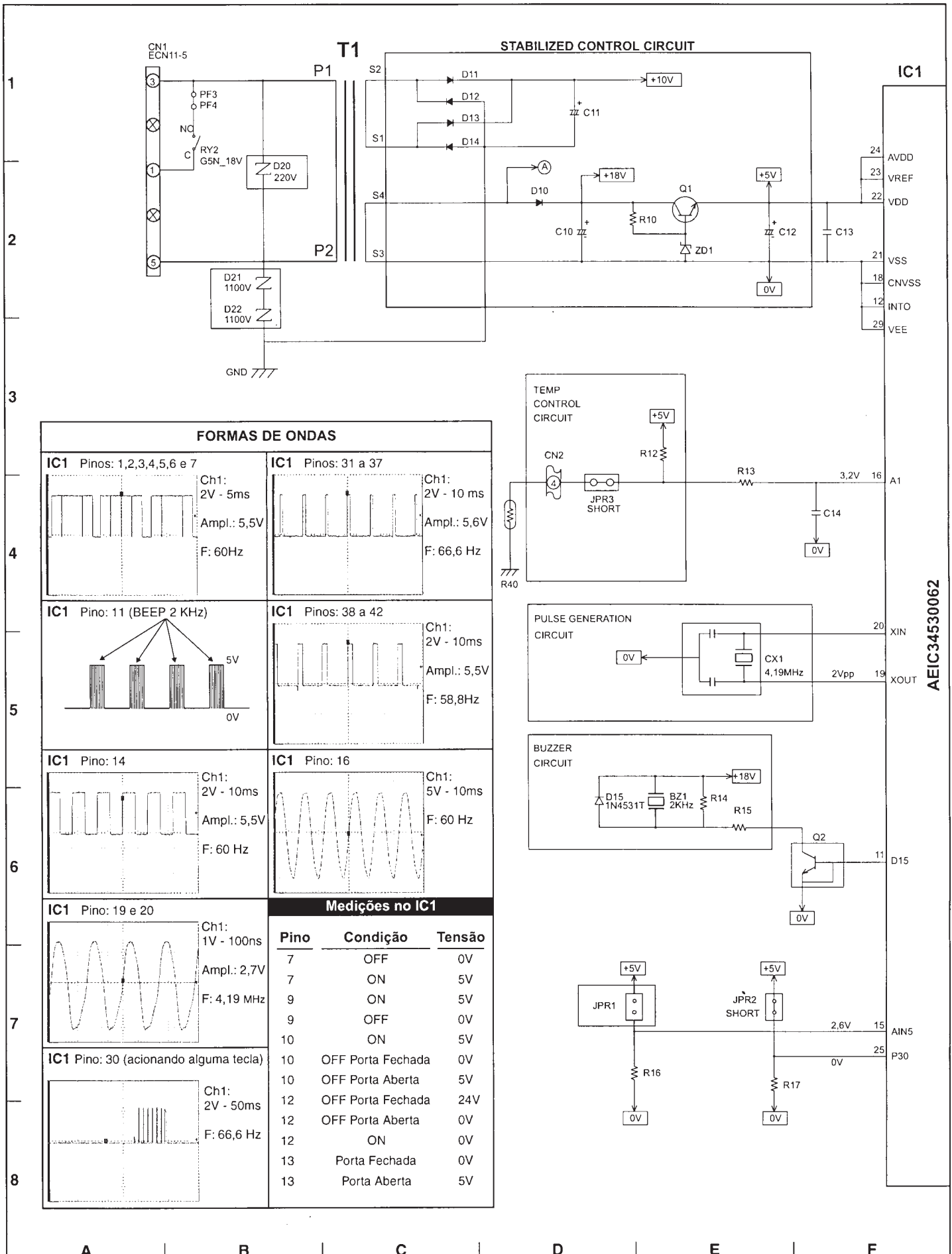
Panasonic

Grupo CS
Apoio Técnico

Especificações Técnicas

Tamanho	Grande		Família		Médio	Compacto	
Categoria	Dourador	Microondas	Dourador	Microondas	Microondas	Microondas	
Modelo	NN 7958B	NN 7858B	NN 6958B	NN 6658BA	NN 5658B	NN 4558B	
Capacidade interna	42 litros	42 litros	31 litros	35 litros	28 litros	17 litros	
Potência de Cozimento (IEC-705)	900W	1.000W	900W	1.100W	1.100W	700W	
Potência do Dourador	950W	—	800W	—	—	—	
Diâmetro do Prato Giratório	360 mm	360 mm	360 mm	360 mm	315 mm	270 mm	
Sensor de Cozimento	✓	✓	—	—	—	—	
Auto Cozimento	—	—	✓	✓	✓	✓	
Instruções no Visor (interativo)	✓	✓	✓	✓	✓	—	
Modo de Demonstração	✓	✓	✓	✓	✓	—	
Frequência de Operação	2.450 MHz						
Temporizador	99 minutos e 99 segundos						
Alimentação	H	120V CA, 60Hz					
	K	220V CA, 60Hz					
Consumo	Microondas	1.450W	1.550W	1.450W	1.600W	1.600W	1.300W
	Resistência	1.010W	—	860W	—	—	—
Dimensões externas (L x A x P) mm	595x356x431	595x356x431	555x306x428	555x306x428	510x304x383	463x299x316	
Peso aproximado	21,0 kg	19,5 kg	16,5 kg	16,0 kg	15,0 kg	13,5 kg	
Cor do Gabinete	Branco	Branco	Branco	Branco	Branco/Grafite	Branco	
Garantia	1 ano de garantia integral						
Acessórios	Grelha suporte	—	Grelha suporte	—	—	—	

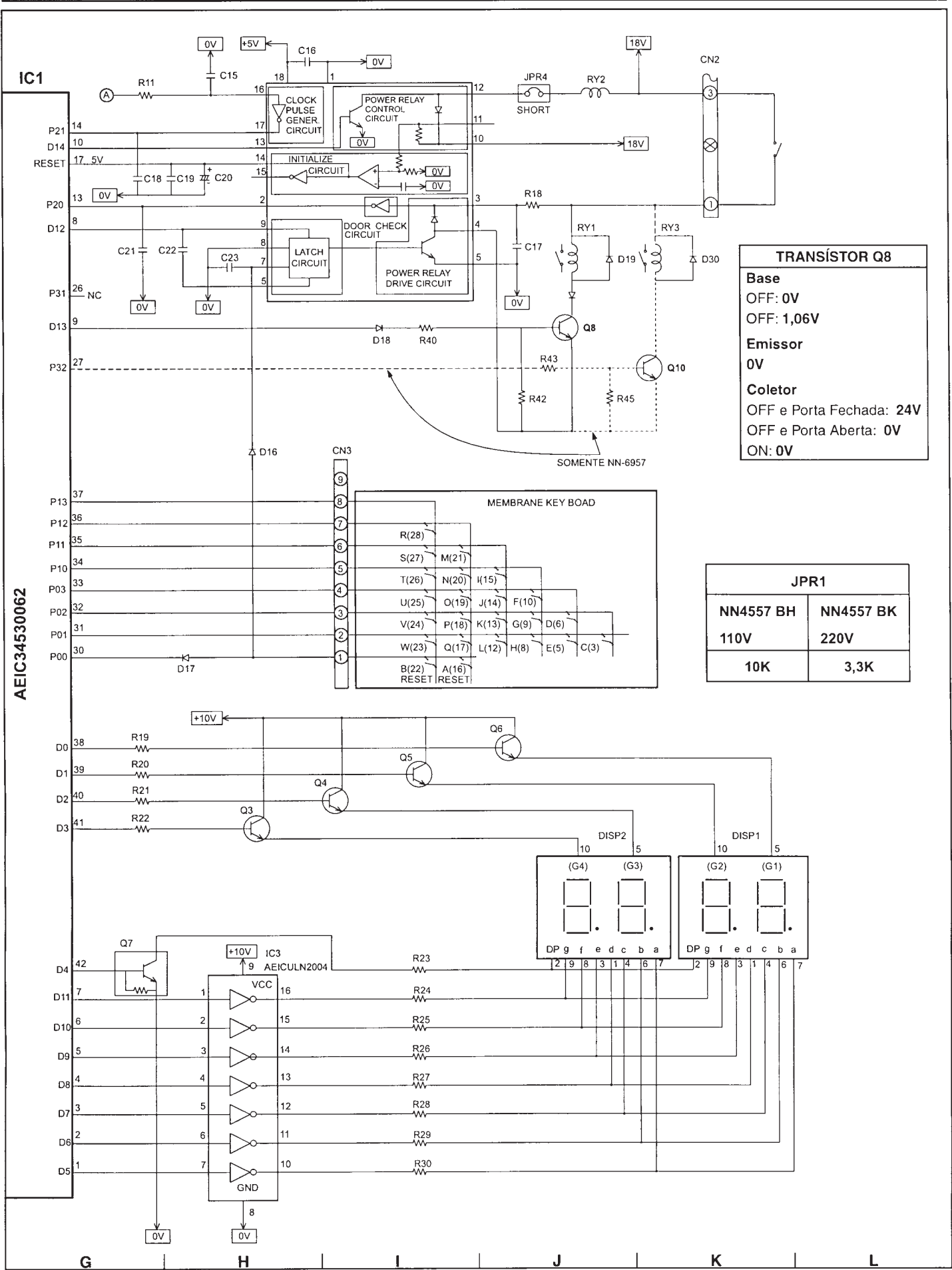
Diagrama Esquemático



FORMAS DE ONDAS

<p>IC1 Pinos: 1,2,3,4,5,6 e 7</p> <p>Ch1: 2V - 5ms Ampl.: 5,5V F: 60Hz</p>	<p>IC1 Pinos: 31 a 37</p> <p>Ch1: 2V - 10ms Ampl.: 5,6V F: 66,6 Hz</p>																																							
<p>IC1 Pino: 11 (BEEP 2 KHz)</p> <p>5V 0V</p>	<p>IC1 Pinos: 38 a 42</p> <p>Ch1: 2V - 10ms Ampl.: 5,5V F: 58,8Hz</p>																																							
<p>IC1 Pino: 14</p> <p>Ch1: 2V - 10ms Ampl.: 5,5V F: 60 Hz</p>	<p>IC1 Pino: 16</p> <p>Ch1: 5V - 10ms F: 60 Hz</p>																																							
<p>IC1 Pino: 19 e 20</p> <p>Ch1: 1V - 100ns Ampl.: 2,7V F: 4,19 MHz</p>	<p>Medições no IC1</p> <table border="1"> <thead> <tr> <th>Pino</th> <th>Condição</th> <th>Tensão</th> </tr> </thead> <tbody> <tr><td>7</td><td>OFF</td><td>0V</td></tr> <tr><td>7</td><td>ON</td><td>5V</td></tr> <tr><td>9</td><td>ON</td><td>5V</td></tr> <tr><td>9</td><td>OFF</td><td>0V</td></tr> <tr><td>10</td><td>ON</td><td>5V</td></tr> <tr><td>10</td><td>OFF Porta Fechada</td><td>0V</td></tr> <tr><td>10</td><td>OFF Porta Aberta</td><td>5V</td></tr> <tr><td>12</td><td>OFF Porta Fechada</td><td>24V</td></tr> <tr><td>12</td><td>OFF Porta Aberta</td><td>0V</td></tr> <tr><td>12</td><td>ON</td><td>0V</td></tr> <tr><td>13</td><td>Porta Fechada</td><td>0V</td></tr> <tr><td>13</td><td>Porta Aberta</td><td>5V</td></tr> </tbody> </table>	Pino	Condição	Tensão	7	OFF	0V	7	ON	5V	9	ON	5V	9	OFF	0V	10	ON	5V	10	OFF Porta Fechada	0V	10	OFF Porta Aberta	5V	12	OFF Porta Fechada	24V	12	OFF Porta Aberta	0V	12	ON	0V	13	Porta Fechada	0V	13	Porta Aberta	5V
Pino	Condição	Tensão																																						
7	OFF	0V																																						
7	ON	5V																																						
9	ON	5V																																						
9	OFF	0V																																						
10	ON	5V																																						
10	OFF Porta Fechada	0V																																						
10	OFF Porta Aberta	5V																																						
12	OFF Porta Fechada	24V																																						
12	OFF Porta Aberta	0V																																						
12	ON	0V																																						
13	Porta Fechada	0V																																						
13	Porta Aberta	5V																																						
<p>IC1 Pino: 30 (acionando alguma tecla)</p> <p>Ch1: 2V - 50ms F: 66,6 Hz</p>																																								

AEIC34530062



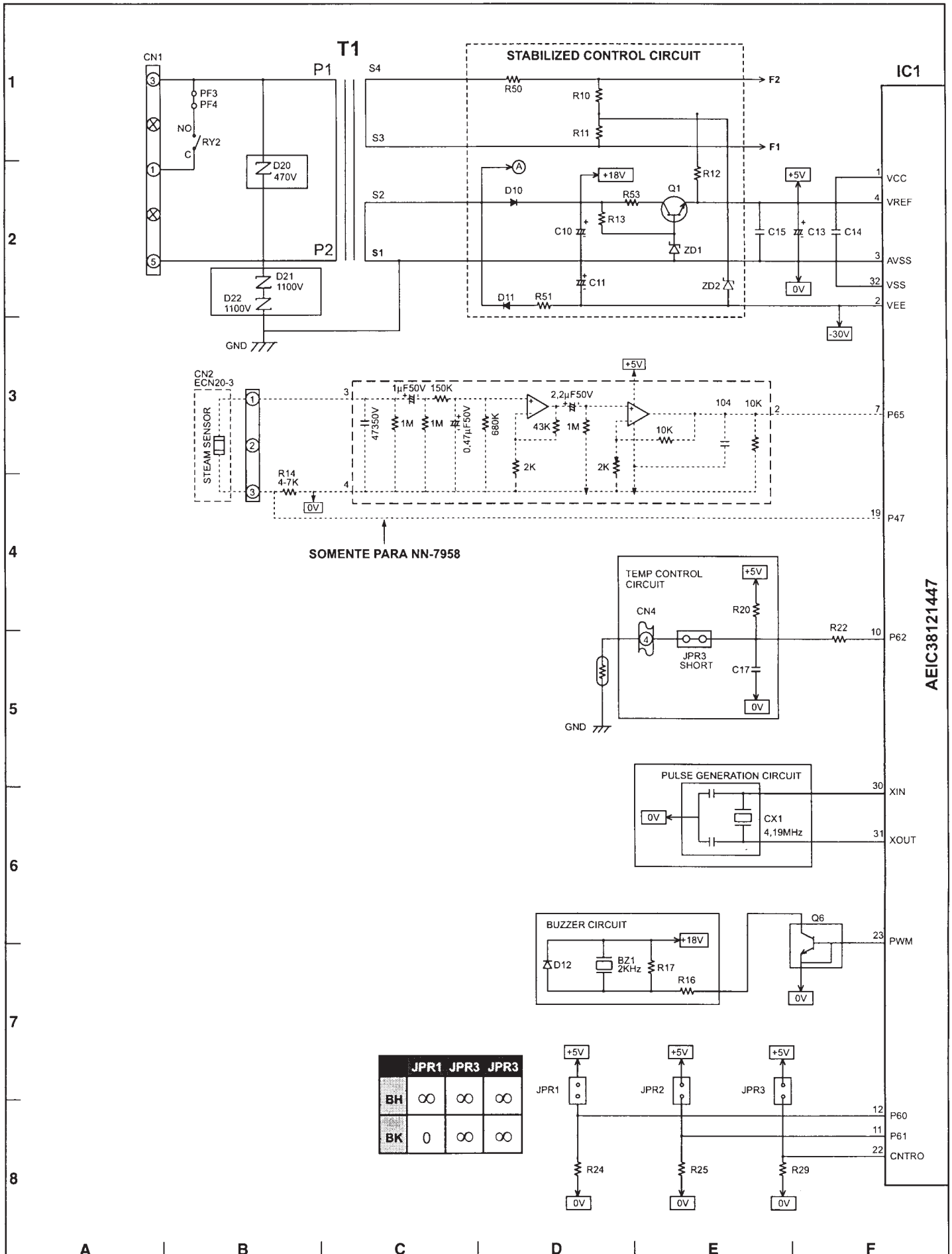
IC1

AEIC34530062

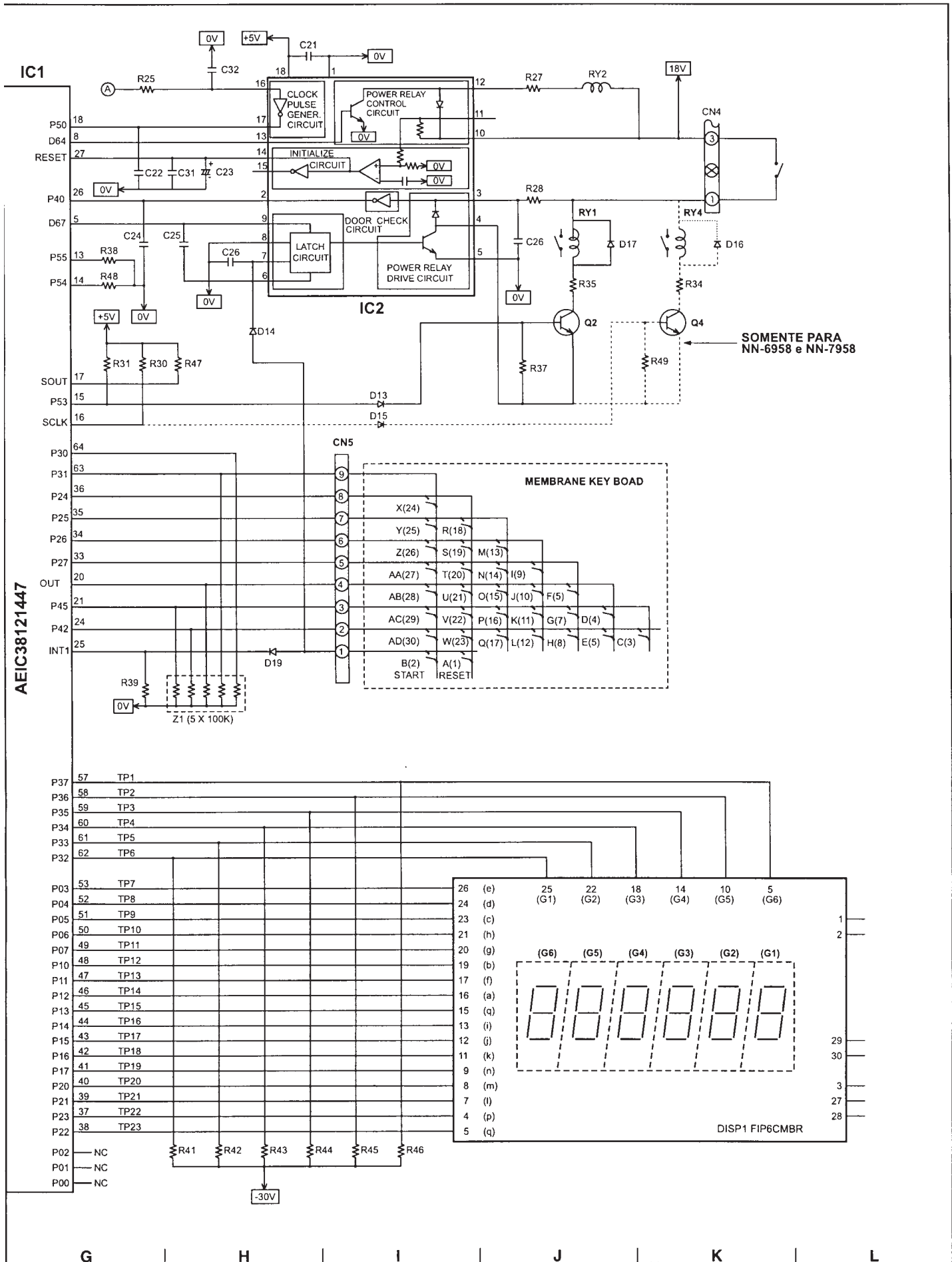
TRANSISTOR Q8	
Base	
OFF:	0V
OFF:	1,06V
Emissor	
0V	
Coletor	
OFF e Porta Fechada:	24V
OFF e Porta Aberta:	0V
ON:	0V

JPR1	
NN4557 BH	NN4557 BK
110V	220V
10K	3,3K

DIAGRAMA ESQUEMÁTICO

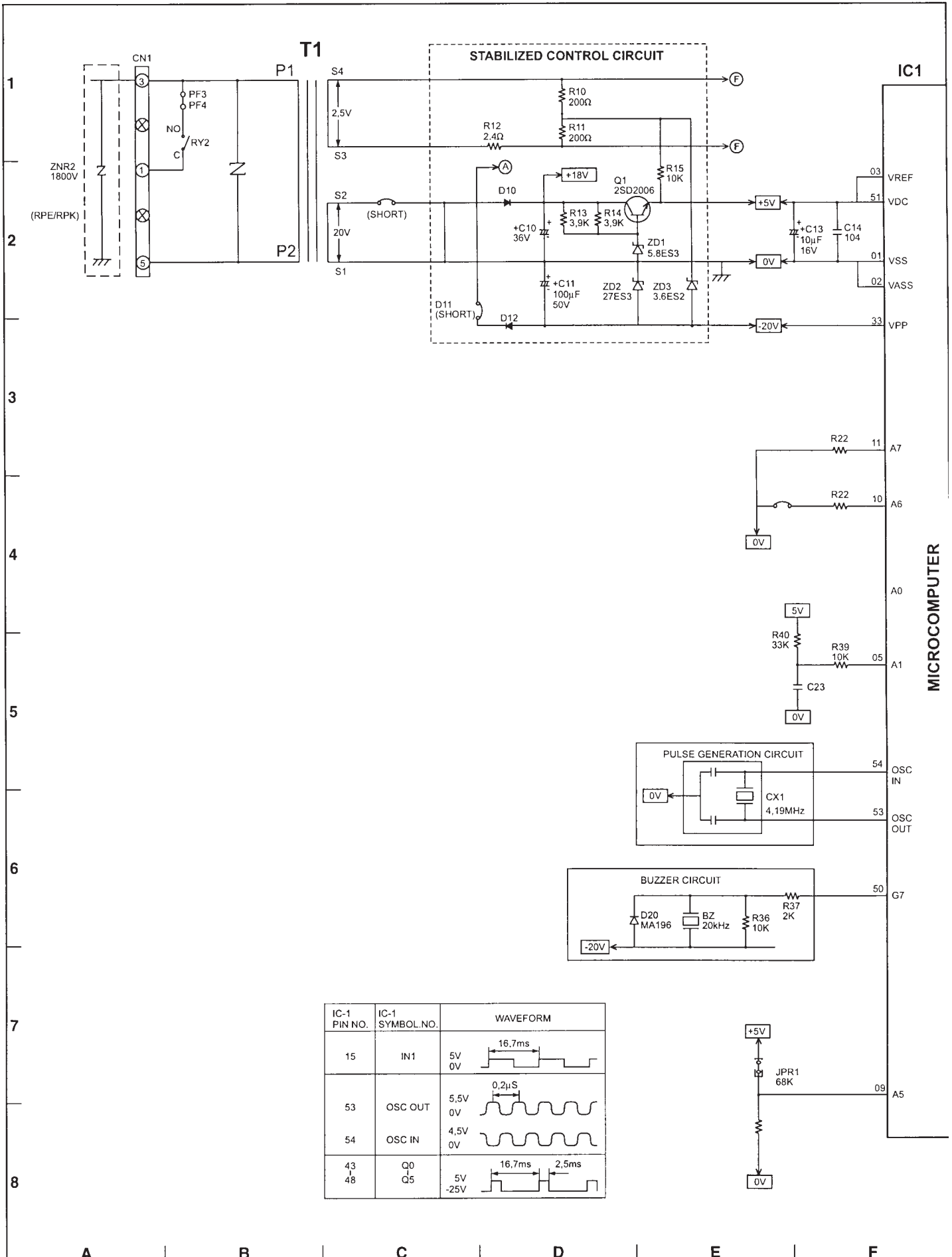


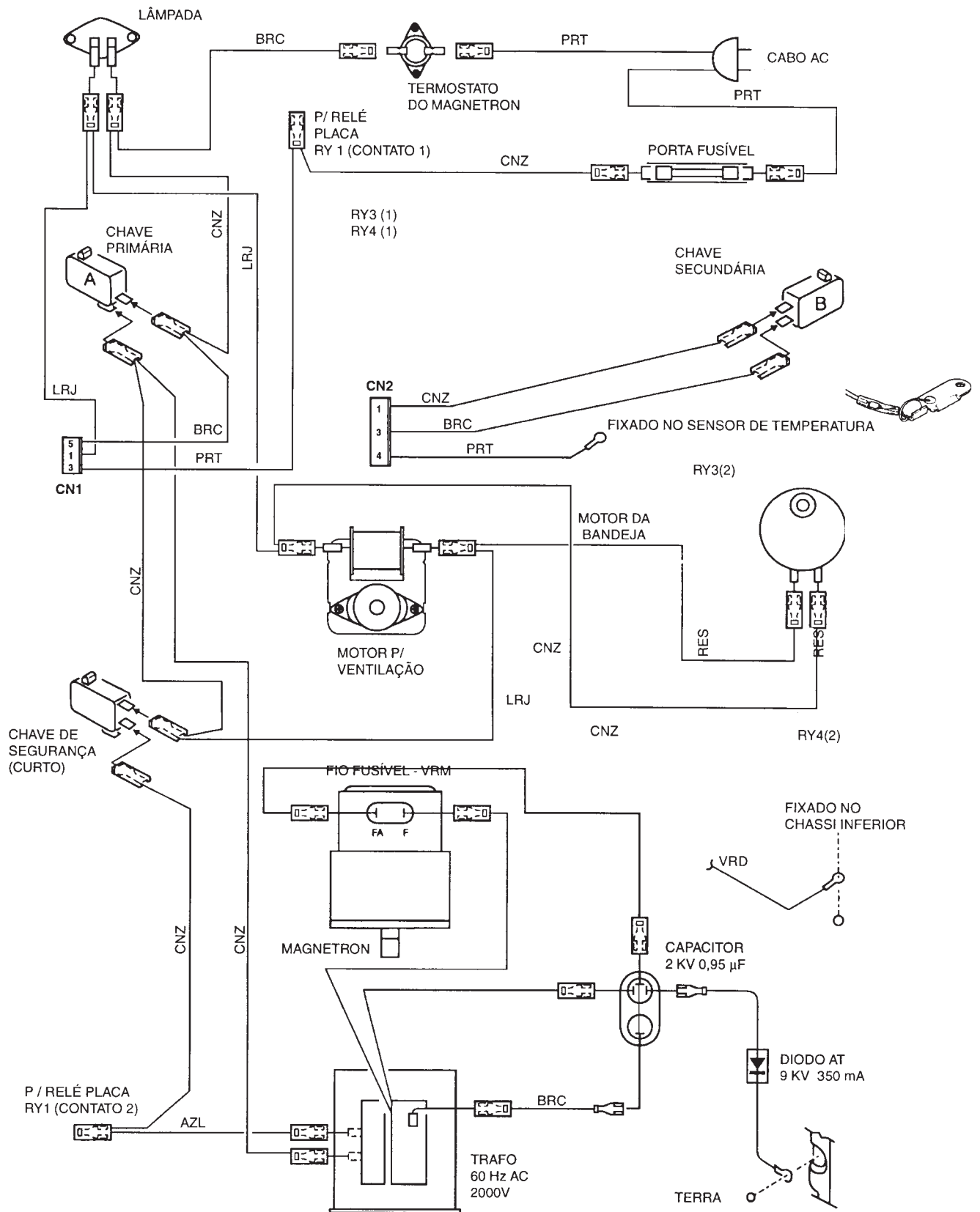
AEIC38121447



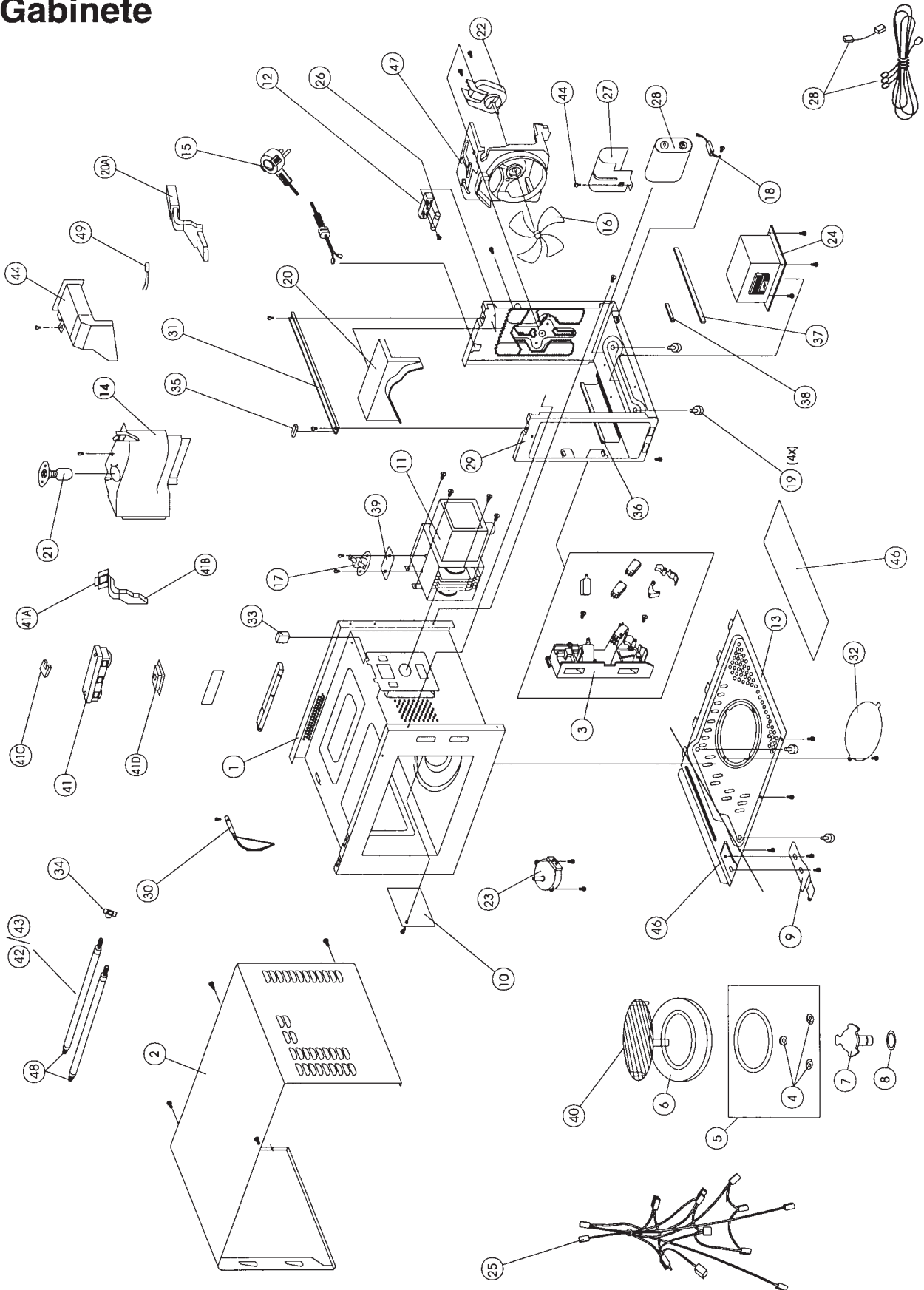
SOMENTE PARA NN-6958 e NN-7958

DIAGRAMA ESQUEMÁTICO

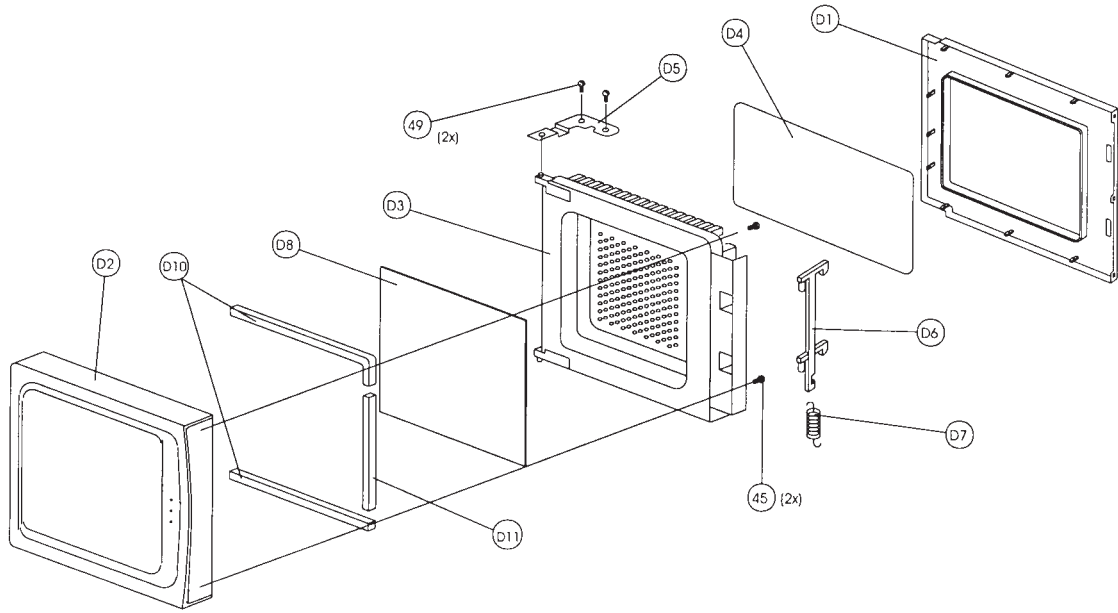




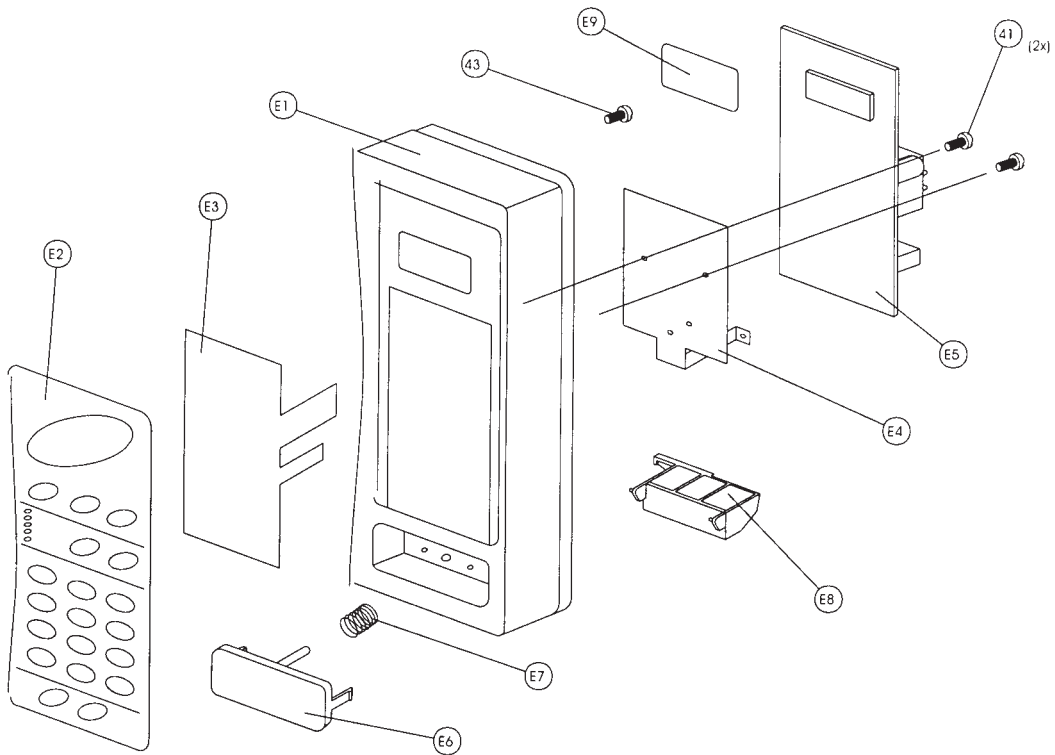
Gabinete



Porta



Painel



GABINETE										
REF	DESCRIÇÃO	5556BH/K	5557BH/K	6957BH/K	4558BH/K	5658BH/K	6658BAH/BAK	6958BH/K	7858BH/K	7958BH/K
01	CONJ. FORNO	FPC20C000B	FPC20C000D	FPL20C000	FPM20C000	FPM20C000	FPP20C000	FPL20C000A	FPG20C000A	FPP20C000A
01	CONJ. FORNO	-	FPC20C000C	-	-	-	-	-	-	-
02	GABINETE BRANCO	FPC100002A(BR)	FPC100002A(BR)	FPK100002(BR)	FPM100002(BR)	FPM100002(BR)	FPK100002(BR)	FPK100002(BR)	FPD100002(BR)	FPD100002(BR)
02	GABINETE GRAFITE	-	-	-	-	-	-	-	-	-
03	CONJ. ENGATE MICROCHAVES	B393C4832AP	B393C4832AP	B393C4832AP	B393C4832AP	J393C-1543	B393C4832AP	B393C4832AP	B393C4832AP	B393C4832AP
04	RODA B	FC0000102	FC0000102	FPD000002	FPD000002	FPD000002	FPD000002	FPD000002	FPD000002	FPD000002
05	ANEL DE BANDEJA	B21814062AP	B21818940AP	B21815500AP	B21818940AP	B21818940AP	B21815500AP	B21815500AP	B21815500AP	B21815500AP
06	BANDEJA	FC0015	FC0015	A06014000AP	A0601-1480	A06015690QP	A06014000AP	A06014000AP	A06014000AP	A06014000AP
07	EIXO DA BANDEJA	A21315541AP	A21315541AP	A21315180AP	A21315541AP	A21315541AP	A21315541AP	A21315541AP	A21315180AP	A21315180AP
08	ARRUELA DO EIXO	FPD000001	FPD000001	FPD000001	FPD000001	FPD000001	FPD000001	FPD000001	FPD000001	FPD000001
09	DOBRADIÇA B	FC3015	FC3015	FPK3000015	FPK3000015	FPK300015	FPK300015	FPK300015	FPK300015	FPK300015
10	TAMPA DE GUIA DE ONDA	ANE2055200AP	ANE2055200AP	A20554950AP	A2055-1481	A20554001AP	A20554001AP	A20554950AP	A20554001AP	A20554950AP
11	MAGNETRON	2M189B-M1F	2M189B-M1F15	2M210-M1F1	2M189B-M1F15	2M210-M1F1	2M210-M1F1	2M210-M1F1	2M210-M1F1	2M210-M1F1
12	PORTA FUSÍVEL	FPA600005A	FPA600005A	FPA600005A	FPA600005A	FPA600005A	FPA600005A	FPA600005A	FPA600005A	FPA600005A
13	TAMPA INFERIOR	FC1004C	FC1004C	FPK100004A	FPK100004A	FPK100004	FPK100004A	FPK100004A	FPD100004A	FPF100004A
14	GUIA DE AR A	-	-	A40255540AP	-	FP400002	FP400002	-	-	FPD40002A (BK)
14	GUIA DE AR A	FP400002	FP400002	-	FPM400002	FPD100106	FPD100106	FP400002A	FPD400102	FPD400102
15	CABO DE FORÇA (GK&B)	FPG600215	FPG600215	FPG600215	FPG600215	FPG600215	FPG600215	FPG600215	FPG600215	FPG600215
16	HÉLICE	FPD400007	FPD400007	FPD400007	FPN400007	FPN400007	FPD400007	FPN400007	FPD400007	FPD400007
17	TERMOSTATO 180°C	FPD600003	FPD600003	FPD600003	FPD600003	FPD600003	FPD600003	FPD600003	FPD600003	FPD600003
18	DIODO ALTA TENSÃO	HVR-1X3	HVR-1X3	HVR-1X3	HVR-1X3	HVR-1X3	HVR-1X3	HVR-1X3	HVR-1X3	HVR-1X3
19	PÉ DE BORRACHA	FPD100106	FPD100106	FPD100106	FPD100106	FPD100106	FPD100106	FPD100106	FPD100106	FPD100106
20	GUIA DE AR B	-	-	FPK400002A	FPM400005	FPM400005	FPK400002A	FPK400002A	FPD400102	FPD400102
21	LAMP. C/SOQUETE (120V)	924101235603	924101235603	924101235603	924101235603	924101235603	924101235603	924101235603	924101235603	924101235603
21	LAMP. C/SOQUETE (240V)	924101245703	924101245703	924101245703	924101245703	924101245703	924101245703	924101245703	924101245703	924101245703
22	MOTOR VENTILADOR 120V	B400A7001AP	B400A7001AP	B400A7001AP	B400A7001AP	B400A7001AP	B400A7001AP	B400A7001AP	B400A7001AP	B400A7001AP
22	MOTOR VENTILADOR 220V	B400A2206AP	B400A2206AP	B400A2206AP	B400A2206AP	B400A2206AP	B400A2206AP	B400A2206AP	B400A2206AP	B400A2206AP
23	MOTOR DE BANDEJA 120V	B6326408AP	B6326408AP	B6326408AP	B6326408AP	B6326408AP	B6326408AP	B6326408AP	B6326408AP	B6326408AP
23	MOTOR DE BANDEJA 120V	-	-	-	B63264081AP	B63264081AP	B63264081AP	B63264081AP	B63264081AP	B63264081AP
23	MOTOR DE BANDEJA 220V	A6326476PJ	A6326476PJ	A6326476PJ	A63268961JP	A63268961JP	A63268961JP	A63268961JP	A63268961JP	A63268961JP
24	TRANSF. AT 120V	ETL968Z3DZ	ETL105BZ1Z	B60088320APB	ETL105BZ7Z	ETL105BZ7Z	ETL105BZ7Z	ETL105BZ7Z	ETL105BZ7Z	ETL105BZ7Z
24	TRANSF. AT 220V	ETL968Z25Z	ETL968Z4DZ	ETL968Z28Z	ETL105BZ6Z	ETL105BZ28Z	ETL105BZ28Z	ETL105BZ28Z	ETL105BZ28Z	ETL105BZ28Z
25	KIT FIAÇÃO COMPLETA	FP050F009-GK	FP050F010-GK	FP150F001	FPM50F001	FPN50F001	FPF50F101	FP150F101	FP150F111	FP150F109
26	FUSÍVEL CERÂMICO (120V)	XBAC1F12RNR1MBS	XBAC1F12RNR1MBS	XBAC1F15RNR1MBS	XBAC1F15RNR1MBS	XBAC1F18RNS1MBS	XBAC1F18RNS1MBS	XBAC1F15RNR1MBS	XBAC1F15RNR1MBS	XBAC1F15RNR1MBS
26	FUSÍVEL CERÂMICO (220V)	XBAC2F10RNS2ABS	XBAC2F10RNS2ABS	XBAC2F10RNS2ABS	XBAC2F10RNS2ABS	XBAC2F12RNS1ABS	XBAC2F12RNS1ABS	XBAC2F10RNS2ABS	XBAC2F10RNS2ABS	XBAC2F10RNS2ABS
27	SUPORTE CAPACITOR	FC6600014	FC6600014	FC6600014	FC6600014A	FC6600014A	FC6600014A	FC6600014A	FC6600014A	FC6600014A
28	CAP. ALTA TENSÃO	N50H2080G36A3 BH	N50H2080G36A3	N50H2095G31A3	N50H2106A4A3	N50H2106A4A3	N50H2095G31A3	N50H2095G31A3	N50H2106A4A3	N50H2106A4A3
28	CAP. ALTA TENSÃO	N50H2095G31A3 BK	-	HCH-212095D	HCH-212095D	HCH-212100D	HCH-212100D	HCH-212100D	HCH-212100D	HCH-212100D
29	CHASSI INFERIOR	-	-	-	FPM100001	-	-	-	FPD100001B	FPD100001B
30	SENSOR DE TEMPERATURA	-	A601L5181AP	A601L5181AP	A601L5181AP	A601L5181AP	A601L5181AP	A601L5181AP	A601L5181AP	A601L5150AP
31	REFORÇO	-	-	-	FPM200000	-	-	-	-	-

● 5658 BH/BH ■ 5658 BHGR/BKGR ▲ 5557 BH/BK ◆ 5557 BAH/BAK

GABINETE										
REF	DESCRIÇÃO	5556BH/K	5557BH/K	6957BH/K	4558BH/K	5658BH/K	6658BH/K	6958BH/K	7858BH/K	7958BH/K
32	TAMPA INFERIOR B	FPC100104A	FPC100104A	FPK100104	FPM100104	FPN100104	FPK100104	FPK100104	-	-
33	ESPUMA DE VEDAÇÃO B	-	-	-	FFG000031	-	-	-	FFG000031	FFG000031
34	ISOLANTE B	-	-	A64654953AP	-	-	-	A64654953AP	-	A64654953AP
35	ESPUMA DE VEDAÇÃO	-	-	-	FPD000033	-	-	-	-	-
36	ESPUMA SUPR. DE RUÍDO	FPD000033	FPD000033	FPD000033	FPD000033	-	-	-	-	-
37	ESPUMA SUPRESSORA	-	-	-	FPD000033	FPD000033	FPD000033	FPD000033	FPD000033	FPD000033
38	BORRACHA SUPRESSORA	-	-	-	FPM000005	-	-	-	-	-
39	ESPAÇADOR	-	-	FC6004	FC6004	FC6004	FC6004	FC6004	FC6004	FC6004
40	GRELHA	-	-	A06027310RT	-	-	-	A06027310RT	A06027310RT	A06027310RT
41	CONJ. EXAUSTÃO	-	-	-	-	-	-	-	-	FPF40C001
41-A	GUIA DE EXAUSTÃO	-	-	-	-	-	-	-	-	A402T4950AP
41-B	GUIA DE EXAUSTÃO B	-	-	-	-	-	-	-	-	A41074951AP
41-C	GUIA DE EXAUSTÃO E	-	-	-	-	-	-	-	-	A41214960AP
41-D	GUIA DE EXAUSTÃO F	-	-	-	-	-	-	-	-	A41224950AP
42	RESIST. A QUARTZO 120V	-	-	-	-	-	-	-	-	A630G4952AP
42	RESIST. A QUARTZO 120V	-	-	J630G4963AQ	-	-	-	J630G4963AQ	-	J630G4952AP
51	RESIST. A QUARTZO 220V	-	-	-	-	-	-	-	-	A630G4950XP
51	RESIST. A QUARTZO 220V	-	-	J630G7320RP	-	-	-	J630G7320RP	-	J630G4950XP
44	CONJ. GUIA DE AR B/SENSOR	-	-	-	-	-	-	-	A400F7000QP	-
45	CONJ. GUIA DE EXAUSTÃO	-	-	-	-	-	-	-	A604P5500AP	-
46	CHASSIS INFERIOR B	-	-	-	-	-	-	-	FPD100005B	FPD100005B
47	SUP. MOTOR VENTILAÇÃO	-	-	-	-	-	-	-	FPD400005B	FPD400005B
48	CJ. CABO FIBRA DE VIDRO	-	-	-	-	-	-	-	-	A03594951AP
49	SENSOR DE UMIDADE	-	-	-	-	-	-	-	-	EFPS20C21A10

PORTA										
REF	DESCRIÇÃO	5556BH/K	5557BH/K	6957BH/K	4558BH/K	5658BH/K	6658BH/K	6958BH/K	7858BH/K	7958BH/K
D1	PORTA C	FPC300022	FPC300022A	FPK300022	FPM300022	FPN300022	FPK300022	FPK300022	FPD300022B	FPD300022B
D2	PORTA A	FPC300107	FPC300207 ▲	FPK300007	FPM300007	FPN300007 ●	FPP300107	FPK300107	FPD300107	FPD300107
D2	PORTA A		FPC300307 ◆		FPM300307	FPN300107 ■				
D3	CONJ. PORTA E	FPC300013	FPC300013A ▲	FPK300013	FPM300013	FPN300013	FPK300013	FPK300013	FPD300013C	FPD300013C
D3	CONJ. PORTA E		FPC300113A ◆							
D4	MÁSCARA A	-	-	-	A31458940RT	A31457200AP	A31457050AP	A31457050AP	-	A31455180AP
D4	MÁSCARA P/ PORTA	A31457990RT	A31457990RT	-	-	-	-	-	-	-
D4	MÁSCARA DA PORTA A	-	-	A31457050AP	-	-	A31457050AP	-	A31455180AP	-
D5	DOBRADIÇA A	FC3008A	FC3008A ▲	FPK300008	FPK300008	FPK300008	FPK300008	FPK300008	FPD300008B	FPD300008B
D5	DOBRADIÇA A		FC300008 ◆							
D6	TRAVA DA PORTA	FPD3000018	FPD300018	FPD300018	FPD300018	FPN300018	FPD300018	FPD300018	FPD300018	FPD300018
D7	MOLA DA TRAVA DA PORTA	-	-	-	FPD300020	-	-	-	-	-
D8	MÁSCARA B	-	FPC3000024 ▲	A31468800HRT	FPM300024	FPN300024	FPP300024	FPL300124	FPD300024	FPJ3000324
D8	MÁSCARA B		FPC300124 ◆							
D9	CONJUNTO PORTA	FPC300000A	FPC300100 ▲	FPL300100	FPM300000	FPN300000 ●	A82847010AP	FPL300200	FPD300000	FPJ3000300
D9	CONJUNTO PORTA		FPC300200 ◆			FPN300100 ■				
D10	APOIO DA MÁSCARA B PORTA	-	-	FPK300052	-	-	-	-	-	-
D11	APOIO DA MÁSCARA B	-	-	FPK300051	-	-	-	-	-	-
PAINEL DE CONTROLE										
REF	DESCRIÇÃO	5556BH/K	5557BH/K	6957BH/K	4558BH/K	5658BH/K	6658BH/K	6958BH/K	7858BH/K	7958BH/K
E1	BASE DO PAINEL	FPC800101	FPC800201 ▲	FPK800001	FPK800001	FPN800001 ●	FPP800001	FPP800001	FPD8000101	FPD8000101
E1	BASE DO PAINEL		FPC800301 ◆			FPN800101 ■				
E2	TECLA MEMBRANA	FPC800103	FPC800203 ▲	FPL800103	FPM800103	FPN800003 ●	A83374K30RT	FPL800203	FPD800303	FPJ800303
E2	TECLA MEMBRANA		FPC800303 ◆			FPN800103 ■				
E3	MEMBRANA	FPC800112	FPC800212 ▲	FPK800112	FPM800112	FPN800012	FPP800012	FPL800012	FPD800012	FPJ800012
E3	MEMBRANA		FPC800312 ◆							
E4	BLINDAGEM DA PLACA	FPC800009	FPC800009	FPK800009	FPC800009	FPC800009	FPC800009	FPC800009	FPC800009	FPC800009
E5	PLACA MONTADA 120V	MBUPNN5566H	MBUPNN5577B	MBUPNN69566H	MBUPNN45588H	MBUPNN56588H	MBUPNN6588BAH	MBUPNN69588H	MBUPNN78588H	MBUPNN79588H
E5	PLACA MONTADA 220V	MBUPNN5566K	MBUPNN5577K	MBUPNN69566K	MBUPNN45588K	MBUPNN56588K	MBUPNN6588BAK	MBUPNN69588K	MBUPNN78588K	MBUPNN79588K
E6	BOTÃO DE ABRIR PORTA	FPC800111	FPK800011 ▲	FPK800011	FPK800011	-	FPK800111	FPK800111	FPK800011	FPK800011
E6	BOTÃO DE ABRIR PORTA		FPK800211 ◆							
E7	MOLA DO BOTÃO ABRE PORTA	-	-	-	FPD800002	-	-	-	-	-
E8	ALAVANCA DE ABRIR	FC8018A	FPC800018	FPK800018	FPK800018	-	FPK800018	FPK800018	FPK800018	FPK800018
E9	FILTRO DISPLAY	-	-	FPK800005	FPK800005	FPN800005	FPP800005	FPP800005	A80025541AP	A80025541AP
E10	ESPAÇADOR DO DISPLAY	-	-	-	-	A82847010AP	FPP800005	A82847010AP	A82847010AP	A82847010AP
E11	PORTA TERM. FÊMEA	09FDZ-BT-M(S)	09FDZ-BT-M(S)	09FDZ-BT-M(S)	09FDZ-BT-M(S)	09FDZ-BT-M(S)	09FDZ-BT-M(S)	09FDZ-BT-M(S)	09FDZ-BT-M(S)	09FDZ-BT-M(S)
E12	PORTA TERM. MACHO	BJP01V6A-AP	BJP01V4A-AP	BJP01V4A-AP	BJP01V4A-AP	BJP01V4A-AP	BJP01V4A-AP	BJP01V4A-AP	BJP01V3A-ML	BJP01V3A-ML
E12	PORTA TERM. MACHO	BJP01V5B-AP	BJP01V5B-AP	BJP01V5B-AP	BJP01V5B-AP	BJP01V5B-AP	BJP01V5B-AP	BJP01V5B-AP	BJP01V4A-AP	BJP01V4A-AP
E12	PORTA TERM. MACHO	-	-	-	-	-	-	-	BJP01V5B-JS	BJP01V5B-JS
E13	CONJ. PAINEL DE CONTROLE	FPC800101	FPC800301	FPL800101	FPM800101	FPN800001 ●	FPP800001	FPL800201	FPD800001	FPJ800001
E13	CONJ. PAINEL DE CONTROLE					FPN800101 ■				

PLACAS MONTADAS												
REF	DESCRIÇÃO	5556BH/K	5557BH/K	6957BH/K	4558BH/K	5658BH/K	6658BH/K	6958BH/K	7858BH/K	7958BH/K		
	PLACA MONTADA 120V	MBUPNN5556BH	MBUPNN5557BH	MBUPNN6956BH	MBUPNN4558BH	MBUPNN5658BH	MBUPNN6658BH	MBUPNN6958BH	MBUPNN7858BH	MBUPNN7958BH		
	PLACA MONTADA 220V	MBUPNN5556BK	MBUPNN5557BK	MBUPNN6956BK	MBUPNN4558BK	MBUPNN5658BK	MBUPNN6658BAK	MBUPNN6958BK	MBUPNN7858BK	MBUPNN7958BK		
CAPACITORES												
C10	CAP. ELETR. 470UF 35V	ECEA1VU471	ECA1VM471B	ECA1VM471B	ECA1VM471B	ECA1VM471B	ECA1VM471B	ECA1VM471B	ECA1VM471B	ECA1VM471B	ECA1VM471B	ECA1VM471B
C11	CAP. ELETR. AL. 100UF 50V	ECEA1HU101B	-	-	-	ECEA1HU101B	ECEA1HU101B	ECEA1HU101B	ECEA1HU101B	ECEA1HU101B	ECEA1HU101B	ECEA1HU101B
C11	CAP. ELETR. 470UF 16V	-	ECEA1CU471B	ECEA1CU471B	ECEA1CU471B	-	-	-	-	-	-	-
C12	CAP. CER. 0,1UF 50V	ECFR1H104ZF5	-	-	-	-	-	-	-	-	-	-
C12	CAP. ELETR. AL. 10UF 25V	-	ECEA1EU100B	ECEA1EU100B	ECEA1EU100B	ECEA1EU100B	ECEA1EU100B	ECEA1EU100B	ECEA1EU100B	ECEA1EU100B	ECEA1EU100B	ECEA1EU100B
C13	CAP. ELETR. AL. 10UF 25V	ECEA1EU100B	-	-	-	ECEA1EU100B	ECEA1EU100B	ECEA1EU100B	ECEA1EU100B	ECEA1EU100B	ECEA1EU100B	ECEA1EU100B
C13	CAP. CER. 0,1UF 50V	-	ECFR1H104ZF5	ECFR1H104ZF5	ECFR1H104ZF5	ECFR1H104ZF5	ECFR1H104ZF5	ECFR1H104ZF5	ECFR1H104ZF5	ECFR1H104ZF5	ECFR1H104ZF5	ECFR1H104ZF5
C14	CAP. CER. 0,1UF 50V	ECFR1H104ZF5	ECFR1H104ZF5	ECFR1H104ZF5	ECFR1H104ZF5	ECFR1H104ZF5	ECFR1H104ZF5	ECFR1H104ZF5	ECFR1H104ZF5	ECFR1H104ZF5	ECFR1H104ZF5	ECFR1H104ZF5
C14	CAP. CER. 10NF 50V	-	-	-	-	ECRKR1H103ZF5	ECRKR1H103ZF5	ECRKR1H103ZF5	ECRKR1H103ZF5	ECRKR1H103ZF5	ECRKR1H103ZF5	ECRKR1H103ZF5
C15	CAP. CER. 10NF 50V	ECRKR1H103ZF5	-	-	-	-	ECRKR1H103ZF5	ECRKR1H103ZF5	ECRKR1H103ZF5	ECRKR1H103ZF5	ECRKR1H103ZF5	ECRKR1H103ZF5
C15	CAP. CER. 0,1UF 50V	-	ECFR1H104ZF5	ECFR1H104ZF5	ECFR1H104ZF5	ECFR1H104ZF5	ECFR1H104ZF5	ECFR1H104ZF5	ECFR1H104ZF5	ECFR1H104ZF5	ECFR1H104ZF5	ECFR1H104ZF5
C15	CAP. CER. 10NF 50V	-	-	-	-	ECRKR1H103ZF5	ECRKR1H103ZF5	ECRKR1H103ZF5	ECRKR1H103ZF5	ECRKR1H103ZF5	ECRKR1H103ZF5	ECRKR1H103ZF5
C16	CAP. CER. 10NF 50V	ECRKR1H103ZF5	ECRKR1H103ZF5	ECRKR1H103ZF5	ECRKR1H103ZF5	ECRKR1H103ZF5	ECRKR1H103ZF5	ECRKR1H103ZF5	ECRKR1H103ZF5	ECRKR1H103ZF5	ECRKR1H103ZF5	ECRKR1H103ZF5
C17	CAP. ELETR. AL. 2,2UF 50V	ECEA1HU2R2B	-	-	-	-	-	-	-	-	-	-
C17	CAP. CER. 0,1UF 50V	-	ECFR1H104ZF5	ECFR1H104ZF5	ECFR1H104ZF5	ECFR1H104ZF5	ECFR1H104ZF5	ECFR1H104ZF5	ECFR1H104ZF5	ECFR1H104ZF5	ECFR1H104ZF5	ECFR1H104ZF5
C18	CAP. CER. 10NF 50V	ECRKR1H103ZF5	ECRKR1H103ZF5	ECRKR1H103ZF5	ECRKR1H103ZF5	ECRKR1H103ZF5	ECRKR1H103ZF5	ECRKR1H103ZF5	ECRKR1H103ZF5	ECRKR1H103ZF5	ECRKR1H103ZF5	ECRKR1H103ZF5
C19	CAP. CER. 10NF 50V	ECRKR1H103ZF5	ECRKR1H103ZF5	ECRKR1H103ZF5	ECRKR1H103ZF5	ECRKR1H103ZF5	ECRKR1H103ZF5	ECRKR1H103ZF5	ECRKR1H103ZF5	ECRKR1H103ZF5	ECRKR1H103ZF5	ECRKR1H103ZF5
C20	CAP. CER. 10NF 50V	ECRKR1H103ZF5	ECRKR1H103ZF5	ECRKR1H103ZF5	ECRKR1H103ZF5	ECRKR1H103ZF5	ECRKR1H103ZF5	ECRKR1H103ZF5	ECRKR1H103ZF5	ECRKR1H103ZF5	ECRKR1H103ZF5	ECRKR1H103ZF5
C20	CAP. ELETR. AL. 2,2UF 50V	-	ECEA1HU2R2B	ECEA1HU2R2B	ECEA1HU2R2B	ECEA1HU2R2B	ECEA1HU2R2B	ECEA1HU2R2B	ECEA1HU2R2B	ECEA1HU2R2B	ECEA1HU2R2B	ECEA1HU2R2B
C21	CAP. CER. 10NF 50V	ECRKR1H103ZF5	ECRKR1H103ZF5	ECRKR1H103ZF5	ECRKR1H103ZF5	ECRKR1H103ZF5	ECRKR1H103ZF5	ECRKR1H103ZF5	ECRKR1H103ZF5	ECRKR1H103ZF5	ECRKR1H103ZF5	ECRKR1H103ZF5
C22	CAP. CER. 0,1UF 50V	ECFR1H104ZF5	-	-	-	-	-	-	-	-	-	-
C22	CAP. CER. 10NF 50V	-	ECRKR1H103ZF5	ECRKR1H103ZF5	ECRKR1H103ZF5	ECRKR1H103ZF5	ECRKR1H103ZF5	ECRKR1H103ZF5	ECRKR1H103ZF5	ECRKR1H103ZF5	ECRKR1H103ZF5	ECRKR1H103ZF5
C23	CAP. CER. 10NF 50V	-	ECRKR1H103ZF5	ECRKR1H103ZF5	ECRKR1H103ZF5	ECRKR1H103ZF5	ECRKR1H103ZF5	ECRKR1H103ZF5	ECRKR1H103ZF5	ECRKR1H103ZF5	ECRKR1H103ZF5	ECRKR1H103ZF5
C23	CAP. ELETR. AL. 2,2UF 50V	-	-	-	-	ECEA1HU2R2B	ECEA1HU2R2B	ECEA1HU2R2B	ECEA1HU2R2B	ECEA1HU2R2B	ECEA1HU2R2B	ECEA1HU2R2B
C24	CAP. CER. 10NF 50V	-	-	-	-	ECRKR1H103ZF5	ECRKR1H103ZF5	ECRKR1H103ZF5	ECRKR1H103ZF5	ECRKR1H103ZF5	ECRKR1H103ZF5	ECRKR1H103ZF5
C25	CAP. CER. 10 NF 50V	-	-	-	-	ECRKR1H103ZF5	ECRKR1H103ZF5	ECRKR1H103ZF5	ECRKR1H103ZF5	ECRKR1H103ZF5	ECRKR1H103ZF5	ECRKR1H103ZF5
C26	CAP. CER. 0,1UF 50V	ECFR1H104ZF5	-	-	-	-	-	-	-	-	-	-
C26	CAP. CER. 10NF 50V	-	-	-	-	ECRKR1H103ZF5	ECRKR1H103ZF5	ECRKR1H103ZF5	ECRKR1H103ZF5	ECRKR1H103ZF5	ECRKR1H103ZF5	ECRKR1H103ZF5
C28	CAP. CER. 0,1UF 50V	-	-	-	-	ECFR1H104ZF5	ECFR1H104ZF5	ECFR1H104ZF5	ECFR1H104ZF5	ECFR1H104ZF5	ECFR1H104ZF5	ECFR1H104ZF5
C31	CAP. CER. 10NF 50V	-	-	-	-	ECRKR1H103ZF5	ECRKR1H103ZF5	ECRKR1H103ZF5	ECRKR1H103ZF5	ECRKR1H103ZF5	ECRKR1H103ZF5	ECRKR1H103ZF5
C32	CAP. CER. 0,1UF 50V	-	-	-	-	ECFR1H104ZF5	ECFR1H104ZF5	ECFR1H104ZF5	ECFR1H104ZF5	ECFR1H104ZF5	ECFR1H104ZF5	ECFR1H104ZF5
DIODOS												
D10	DIODO RETIFICADOR	1SR139-400	1SR139-400	1SR139-400	1SR139-400	1SR139-400	1SR139-400	1SR139-400	1SR139-400	1SR139-400	1SR139-400	1SR139-400
D11	DIODO RETIFICADOR	-	1SR139-400	1SR139-400	1SR139-400	1SR139-400	1SR139-400	1SR139-400	1SR139-400	1SR139-400	1SR139-400	1SR139-400
D12	DIODO RETIFICADOR	1SR139-400	1SR139-400	1SR139-400	1SR139-400	1SR139-400	1SR139-400	1SR139-400	1SR139-400	1SR139-400	1SR139-400	1SR139-400
D12	DIODO ENFITADO	-	-	-	-	1N4531T77	1N4531T77	1N4531T77	1N4531T77	1N4531T77	1N4531T77	1N4531T77
D13	DIODO RETIFICADOR	-	1SR139-400	1SR139-400	1SR139-400	1SR139-400	1SR139-400	1SR139-400	1SR139-400	1SR139-400	1SR139-400	1SR139-400

DIODOS												
REF	DESCRIÇÃO	5556BH/K	5557BH/K	6957BH/K	4558BH/K	5658BH/K	6658BH/K	6958BH/K	7858BH/K	7958BH/K		
D13	DIODO ENFITADO	1N4531T77	-	-	-	1N4531T77	1N4531T77	1N4531T77	1N4531T77	1N4531T77	1N4531T77	1N4531T77
D14	DIODO RETIFICADOR	1SR139-400	1SR139-400	1SR139-400	1SR139-400	-	-	-	-	-	-	-
D14	DIODO ENFITADO	-	-	-	-	1N4531T77	1N4531T77	1N4531T77	1N4531T77	1N4531T77	1N4531T77	1N4531T77
D15	DIODO ENFITADO	-	-	-	-	1N4531T77	1N4531T77	1N4531T77	1N4531T77	1N4531T77	1N4531T77	1N4531T77
D16	DIODO ENFITADO	-	-	-	-	1N4531T77	1N4531T77	1N4531T77	1N4531T77	1N4531T77	1N4531T77	1N4531T77
D17	DIODO ENFITADO	1N4531T77	1N4531T77	1N4531T77	1N4531T77	1N4531T77	1N4531T77	1N4531T77	1N4531T77	1N4531T77	1N4531T77	1N4531T77
D18	DIODO ENFITADO	1N4531T77	1N4531T77	1N4531T77	1N4531T77	1N4531T77	1N4531T77	1N4531T77	1N4531T77	1N4531T77	1N4531T77	1N4531T77
D19	DIODO ENFITADO	1N4531T77	1N4531T77	1N4531T77	1N4531T77	1N4531T77	1N4531T77	1N4531T77	1N4531T77	1N4531T77	1N4531T77	1N4531T77
D20	DIODO ENFITADO	1N4531T77	-	-	-	-	-	-	-	-	-	-
D23	DIODO ENFITADO	-	1N4531T77	1N4531T77	1N4531T77	-	-	-	-	-	-	-
D30	DIODO ENFITADO	-	-	1N4531T77	-	-	-	-	-	-	-	-
ZD1	DIODO ZENER	BZX79C5V6T77	BZX79C6V2T77	BZX79C6V2T77	BZX79C6V2T77	BZX79C5V6T77	BZX79C5V6T77	BZX79C5V6T77	BZX79C5V6T77	BZX79C5V6T77	BZX79C5V6T77	BZX79C5V6T77
ZD2	DIODO ZENER	BZX79C2T77	-	-	-	BZX79C5V6T77	BZX79C5V6T77	BZX79C5V6T77	BZX79C5V6T77	BZX79C5V6T77	BZX79C5V6T77	BZX79C5V6T77
ZD3	DIODO ZENER	BZX79C3V6T77	-	-	-	-	-	-	-	-	-	-
CIRCUITOS INTEGRADOS												
IC1	LSI	AEIC9578640	AEIC34530062	AEI34530062	AEIC34530062	AEIC38121447	AEIC38121446	AEIC38121452	AEIC38121452	AEIC38121452	AEIC38121452	AEIC38121452
IC2	IC (BIPOLAR LINER IC)	AN6752	AN6752	AN6752	AN6752	AN6752	AN6752	AN6752	AN6752	AN6752	AN6752	AN6752
IC3	IC INVERSOR	-	AEICUN2004	AEICUN2004	AEICUN2004	-	-	-	-	-	-	-
IC3	IC HIBRIDO	-	-	-	-	-	-	-	-	-	-	AEHMH705
TRANSISTORES												
Q1	TRANSISTOR	2SD2006QRTA	2SD2006QRTA	2SD2006QRTA	2SD2006QRTA	2SD2006QRTA	2SD2006QRTA	2SD2006QRTA	2SD2006QRTA	2SD2006QRTA	2SD2006QRTA	2SD2006QRTA
Q2	TRANSISTOR (MEC)	-	UN4211-(TA)	UN4211-(TA)	UN4211-(TA)	UN4211-(TA)	UN4211-(TA)	UN4211-(TA)	UN4211-(TA)	UN4211-(TA)	UN4211-(TA)	UN4211-(TA)
Q2	TRANSISTOR	-	-	-	-	2SD1991AQSTA	2SD1991AQSTA	2SD1991AQSTA	2SD1991AQSTA	2SD1991AQSTA	2SD1991AQSTA	2SD1991AQSTA
Q3	TRANSISTOR	2SD1991AQSTA	2SD2259-(TA)	2SD2259-(TA)	2SD2259-(TA)	2SD2259-(TA)	2SD2259-(TA)	2SD2259-(TA)	2SD2259-(TA)	2SD2259-(TA)	2SD2259-(TA)	2SD2259-(TA)
Q4	TRANSISTOR	-	2SD2259-(TA)	2SD2259-(TA)	2SD2259-(TA)	2SD2259-(TA)	2SD2259-(TA)	2SD2259-(TA)	2SD2259-(TA)	2SD2259-(TA)	2SD2259-(TA)	2SD2259-(TA)
Q5	TRANSISTOR	-	2SD2259-(TA)	2SD2259-(TA)	2SD2259-(TA)	2SD2259-(TA)	2SD2259-(TA)	2SD2259-(TA)	2SD2259-(TA)	2SD2259-(TA)	2SD2259-(TA)	2SD2259-(TA)
Q6	TRANSISTOR	-	2SD2259-(TA)	2SD2259-(TA)	2SD2259-(TA)	2SD2259-(TA)	2SD2259-(TA)	2SD2259-(TA)	2SD2259-(TA)	2SD2259-(TA)	2SD2259-(TA)	2SD2259-(TA)
Q6	TRANSISTOR (MEC)	-	-	-	-	UN4211-(TA)	UN4211-(TA)	UN4211-(TA)	UN4211-(TA)	UN4211-(TA)	UN4211-(TA)	UN4211-(TA)
Q7	TRANSISTOR	-	UN4219-(TA)	UN4219-(TA)	UN4219-(TA)	UN4219-(TA)	UN4219-(TA)	UN4219-(TA)	UN4219-(TA)	UN4219-(TA)	UN4219-(TA)	UN4219-(TA)
Q8	TRANSISTOR	-	2SD1991AQSTA	2SD1991AQSTA	2SD1991AQSTA	2SD1991AQSTA	2SD1991AQSTA	2SD1991AQSTA	2SD1991AQSTA	2SD1991AQSTA	2SD1991AQSTA	2SD1991AQSTA
Q10	TRANSISTOR	-	-	2SD1991AQSTA	-	-	-	-	-	-	-	-
RESISTORES												
R10	RES. CARB. 200 OHMS 1/5W	BRD20SJ201T-RB	-	-	-	-	-	-	-	-	-	-
R10	RES. CARB. 3K3 OHMS 1/4W	-	BRD20SJ332T-RB	BRD20SJ332T-RB	BRD20SJ332T-RB	BRD20SJ332T-RB	BRD20SJ332T-RB	BRD20SJ332T-RB	BRD20SJ332T-RB	BRD20SJ332T-RB	BRD20SJ332T-RB	BRD20SJ332T-RB
R10	RES. CARB. 150 OHMS 1/4W	-	-	-	-	BRD20SJ151T-RB	BRD20SJ151T-RB	BRD20SJ151T-RB	BRD20SJ151T-RB	BRD20SJ151T-RB	BRD20SJ151T-RB	BRD20SJ151T-RB
R11	RES. CARB. 200 OHMS 1/5W	BRD20SJ201T-RB	-	-	-	-	-	-	-	-	-	-
R11	RES. CARB. 10 KOHMS 1/4W	-	BRD20SJ103T-RB	BRD20SJ103T-RB	BRD20SJ103T-RB	BRD20SJ103T-RB	BRD20SJ103T-RB	BRD20SJ103T-RB	BRD20SJ103T-RB	BRD20SJ103T-RB	BRD20SJ103T-RB	BRD20SJ103T-RB
R11	RES. CARB. 150 OHMS 1/4W	-	-	-	-	-	-	-	-	-	-	-
R12	RES. METAL 2.4 OHMS 0.2W	BRD20SJ2R4T-RB	-	-	-	-	-	-	-	-	-	-
R12	RES. CARB. .33 KOHMS 1/4W	-	BRD20SJ333T-RB	BRD20SJ333T-RB	BRD20SJ333T-RB	BRD20SJ333T-RB	BRD20SJ333T-RB	BRD20SJ333T-RB	BRD20SJ333T-RB	BRD20SJ333T-RB	BRD20SJ333T-RB	BRD20SJ333T-RB

RESISTORES										
REF	DESCRIÇÃO	5556BH/K	5557BH/K	6957BH/K	4558BH/K	5658BH/K	6658BH/K	6958BH/K	7858BH/K	7958BH/K
R12	RES. CARB. 10 KOHMS 1/4W	-	-	-	-	BRD20SJ103T-RB	BRD20SJ103T-RB	BRD20SJ103T-RB	BRD20SJ103T-RB	BRD20SJ103T-RB
R13	RES. CARB. 3K9 OHMS 1/4W	BRD20SJ392T-RB	-	-	-	-	-	-	-	-
R13	RES. CARB. 1 KOHMS 1/4W	-	BRD20SJ102T-RB	BRD20SJ102T-RB	BRD20SJ102T-RB	-	-	-	-	-
R13	RES. CARB. 4K7 OHMS 1/4W	-	-	-	-	BRD20SJ472T-RB	BRD20SJ472T-RB	BRD20SJ472T-RB	BRD20SJ472T-RB	BRD20SJ472T-RB
R14	RES. CARB. 3K9 OHMS 1/4W	BRD20SJ392T-RB	-	-	-	-	-	-	-	-
R14	RES. CARB. 3K3 OHMS 1/4W	-	BRD20SJ332T-RB	BRD20SJ332T-RB	BRD20SJ332T-RB	-	-	-	-	-
R14	RES. CARB. 4K7 OHMS 1/4W	-	-	-	-	-	-	-	BRD20SJ472T-RB	BRD20SJ472T-RB
R15	RES. CARB. 10 KOHMS 1/4W	BRD20SJ103T-RB	-	-	-	-	-	-	-	-
R15	RES. CARB. 1 KOHMS 1/4W	-	BRD20SJ102T-RB	BRD20SJ102T-RB	BRD20SJ102T-RB	-	-	-	-	-
R15	RS. 4K7 OHMS 1/4W	-	-	-	-	-	-	-	BRD20SJ472T-RB	BRD20SJ472T-RB
R16	RES. CARB. 300 OHMS 1/5W	BRD20SJ301T-RB	-	-	-	-	-	-	-	-
R16	RES. CARB. 10 KOHMS 1/4W	-	BRD20SJ103T-RB	BRD20SJ103T-RB	BRD20SJ103T-RB	-	-	-	-	-
R16	RES. CARB. 1 KOHMS 1/4W	-	-	-	-	BRD20SJ102T-RB	BRD20SJ102T-RB	BRD20SJ102T-RB	BRD20SJ102T-RB	BRD20SJ102T-RB
R17	RES. CARB. 10 KOHMS 1/4W	BRD20SJ103T-RB	-	-	-	-	-	-	-	-
R17	RES. CARB. 3K3 OHMS 1/4W	-	-	-	-	BRD20SJ332T-RB	BRD20SJ332T-RB	BRD20SJ332T-RB	BRD20SJ332T-RB	BRD20SJ332T-RB
R18	RES. CARB. 100 KOHMS 1/4W	BRD20SJ104T-RB	-	-	-	-	-	-	-	-
R18	RES. CARB. 10 KOHMS 1/4W	-	BRD20SJ103T-RB	BRD20SJ103T-RB	BRD20SJ103T-RB	-	-	-	-	-
R19	RES. CARB. 10 KOHMS 1/4W	BRD20SJ103T-RB	-	-	-	-	-	-	-	-
R19	RES. CARB. 330 OHMS 1/4W	-	BRD20SJ331T-RB	BRD20SJ331T-RB	BRD20SJ331T-RB	-	-	-	-	-
R20	RES. CARB. 330 OHMS 1/4W	-	BRD20SJ331T-RB	BRD20SJ331T-RB	BRD20SJ331T-RB	-	-	-	-	-
R20	RES. CARB. 33 KOHMS 1/4W	-	-	-	-	BRD20SJ333T-RB	BRD20SJ333T-RB	BRD20SJ333T-RB	BRD20SJ333T-RB	BRD20SJ333T-RB
R21	RES. CARB. 200 OHMS 1/5W	BRD20SJ201T-RB	-	-	-	-	-	-	-	-
R21	RES. CARB. 330 OHMS 1/4W	-	BRD20SJ331T-RB	BRD20SJ331T-RB	BRD20SJ331T-RB	-	-	-	-	-
R22	RES. CARB. 200 OHMS 1/5W	BRD20SJ201T-RB	-	-	-	-	-	-	-	-
R22	RES. CARB. 330 OHMS 1/4W	-	BRD20SJ331T-RB	BRD20SJ331T-RB	BRD20SJ331T-RB	-	-	-	-	-
R22	RES. CARB. 1 KOHMS 1/4W	-	-	-	-	-	-	-	-	-
R23	RES. CARB. 33 KOHMS 1/4W	BRD20SJ333T-RB	-	-	-	-	-	-	-	-
R23	RES. CARB. 68 OHMS 1/4W	-	BRD20SJ680T-RB	BRD20SJ680T-RB	BRD20SJ680T-RB	-	-	-	-	-
R24	RES. CARB. 68 OHMS 1/4W	-	BRD20SJ680T-RB	BRD20SJ680T-RB	BRD20SJ680T-RB	-	-	-	-	-
R24	RES. CARB. 10 KOHMS 1/4W	-	-	-	-	BRD20SJ103T-RB	BRD20SJ103T-RB	BRD20SJ103T-RB	BRD20SJ103T-RB	BRD20SJ103T-RB
R25	RES. CARB. 68 OHMS 1/4W	-	BRD20SJ680T-RB	BRD20SJ680T-RB	BRD20SJ680T-RB	-	-	-	-	-
R25	RES. CARB. 10 KOHMS 1/4W	-	BRD20SJ680T-RB	BRD20SJ680T-RB	BRD20SJ680T-RB	-	-	-	-	-
R26	RES. CARB. 68 OHMS 1/4W	-	BRD20SJ680T-RB	BRD20SJ680T-RB	BRD20SJ680T-RB	-	-	-	-	-
R26	RES. CARB. 10 KOHMS 1/4W	-	BRD20SJ680T-RB	BRD20SJ680T-RB	BRD20SJ680T-RB	-	-	-	-	-
R27	RES. CARB. 68 OHMS 1/4W	-	BRD20SJ680T-RB	BRD20SJ680T-RB	BRD20SJ680T-RB	-	-	-	-	-
R27	RES. CARB. 100 OHMS 1/4W	-	-	-	-	BRD20SJ101T-RB	BRD20SJ101T-RB	BRD20SJ101T-RB	BRD20SJ101T-RB	BRD20SJ101T-RB
R28	RES. CARB. 4,3 K 1/5W	BRD20SJ432T-RB	-	-	-	-	-	-	-	-
R28	RES. CARB. 68 OHMS 1/4W	-	BRD20SJ680T-RB	BRD20SJ680T-RB	BRD20SJ680T-RB	-	-	-	-	-
R28	RES. CARB. 10 KOHMS 1/4W	-	-	-	-	-	-	-	-	-
R29	RES. CARB. 100 KOHMS 1/4W	BRD20SJ104T-RB	-	-	-	-	-	-	-	-

RESISTORES										
REF	DESCRIÇÃO	5556BH/K	5557BH/K	6957BH/K	4558BH/K	5658BH/K	6658BH/K	6958BH/K	7858BH/K	7958BH/K
R29	RES. CARB. 68 OHMS 1/4W	-	BRD20SJ680T-RB	BRD20SJ680T-RB	BRD20SJ680T-RB	-	-	-	-	-
R29	RES. CARB. 10 KOHMS 1/4W	-	-	-	-	BRD20SJ103T-RB	BRD20SJ103T-RB	BRD20SJ103T-RB	BRD20SJ103T-RB	BRD20SJ103T-RB
R30	RES. CARB. 100 KOHMS 1/4W	BRD20SJ104T-RB	-	-	-	BRD20SJ104T-RB	BRD20SJ104T-RB	-	BRD20SJ104T-RB	-
R30	RES. CARB. 68 OHMS 1/4W	-	BRD20SJ680T-RB	BRD20SJ680T-RB	BRD20SJ680T-RB	-	-	-	-	-
R30	RES. CARB. 3K3 OHMS 1/4W	-	-	-	-	-	BRD20SJ332T-RB	BRD20SJ332T-RB	-	BRD20SJ332T-RB
R31	RES. CARB. 100 KOHMS 1/4W	BRD20SJ104T-RB	-	-	-	-	-	-	-	-
R31	RES. CARB. 3K3 OHMS 1/4W	-	-	-	-	BRD20SJ332T-RB	BRD20SJ332T-RB	BRD20SJ332T-RB	BRD20SJ332T-RB	BRD20SJ332T-RB
R32	RES. CARB. 10 KOHMS 1/4W	BRD20SJ103T-RB	-	-	-	-	-	-	-	-
R34	RES. CARB. 100 OHMS 1/4W	-	-	-	-	-	BRD20SJ101T-RB	BRD20SJ101T-RB	BRD20SJ101T-RB	BRD20SJ101T-RB
R35	RES. CARB. 100 OHMS 1/4W	-	-	-	-	-	-	-	-	-
R36	RES. CARB. 10 KOHMS 1/4W	BRD20SJ103T-RB	-	-	-	-	-	-	-	-
R37	RES. CARB. 2.0 K 1/5W	BRD20SJ202T-RB	-	-	-	-	-	-	-	-
R37	RES. CARB. 10 KOHMS 1/4W	-	-	-	-	BRD20SJ103T-RB	BRD20SJ103T-RB	BRD20SJ103T-RB	BRD20SJ103T-RB	BRD20SJ103T-RB
R38	RES. CARB. 10 KOHMS 1/4W	BRD20SJ103T-RB	-	-	-	-	-	-	-	-
R38	RES. CARB. 100 KOHMS 1/4W	-	-	-	-	BRD20SJ104T-RB	BRD20SJ104T-RB	BRD20SJ104T-RB	BRD20SJ104T-RB	BRD20SJ104T-RB
R39	RES. CARB. 10 KOHMS 1/4W	BRD20SJ103T-RB	-	-	-	-	-	-	-	-
R39	RES. CARB. 100 KOHMS 1/4W	-	-	-	-	BRD20SJ104T-RB	BRD20SJ104T-RB	BRD20SJ104T-RB	BRD20SJ104T-RB	BRD20SJ104T-RB
R40	RES. CARB. 33 KOHMS 1/4W	BRD20SJ333T-RB	-	-	-	-	-	-	-	-
R40	RES. CARB. 2.4 K 1/5W	-	BRD20SJ242T-RB	BRD20SJ242T-RB	BRD20SJ242T-RB	-	-	-	-	-
R41	RES. CARB. 100 KOHMS 1/4W	-	-	-	-	BRD20SJ104T-RB	BRD20SJ104T-RB	BRD20SJ104T-RB	BRD20SJ104T-RB	BRD20SJ104T-RB
R42	RES. CARB. 10 KOHMS 1/4W	BRD20SJ103T-RB	-	-	-	BRD20SJ103T-RB	BRD20SJ103T-RB	-	-	-
R42	RES. CARB. 100 KOHMS 1/4W	-	-	-	-	BRD20SJ104T-RB	BRD20SJ104T-RB	BRD20SJ104T-RB	BRD20SJ104T-RB	BRD20SJ104T-RB
R43	RES. CARB. 100 KOHMS 1/4W	BRD20SJ104T-RB	-	-	-	BRD20SJ104T-RB	BRD20SJ104T-RB	BRD20SJ104T-RB	BRD20SJ104T-RB	BRD20SJ104T-RB
R43	RES. CARB. 2.4 K 1/4W	-	-	BRD20SJ242T-RB	-	-	-	-	-	-
R44	RES. CARB. 100 KOHMS 1/4W	-	-	-	-	BRD20SJ104T-RB	BRD20SJ104T-RB	BRD20SJ104T-RB	BRD20SJ104T-RB	BRD20SJ104T-RB
R45	RES. CARB. 100 KOHMS 1/4W	BRD20SJ104T-RB	-	-	-	BRD20SJ104T-RB	BRD20SJ104T-RB	BRD20SJ104T-RB	BRD20SJ104T-RB	BRD20SJ104T-RB
R45	RES. CARB. 10 KOHMS 1/4W	-	-	BRD20SJ103T-RB	-	-	-	-	-	-
R46	RES. CARB. 100 KOHMS 1/4W	-	-	-	-	BRD20SJ104T-RB	BRD20SJ104T-RB	BRD20SJ104T-RB	BRD20SJ104T-RB	BRD20SJ104T-RB
R47	RES. CARB. 100 KOHMS 1/4W	-	-	-	-	BRD20SJ104T-RB	BRD20SJ104T-RB	BRD20SJ104T-RB	BRD20SJ104T-RB	BRD20SJ104T-RB
R48	RES. CARB. 100 KOHMS 1/4W	-	-	-	-	BRD20SJ104T-RB	BRD20SJ104T-RB	BRD20SJ104T-RB	BRD20SJ104T-RB	BRD20SJ104T-RB
R49	RES. CARB. 10 KOHMS 1/4W	-	-	-	-	-	-	BRD20SJ103T-RB	-	BRD20SJ103T-RB
R50	RES. CARB. 2.7 OHMS 1/4W	-	-	-	-	BRD20SJ2R7T-RB	BRD20SJ2R7T-RB	BRD20SJ2R7T-RB	BRD20SJ2R7T-RB	BRD20SJ2R7T-RB
R51	RES. CARB. 100 OHMS 1/4W	-	-	-	-	BRD20SJ101T-RB	BRD20SJ101T-RB	BRD20SJ101T-RB	BRD20SJ101T-RB	BRD20SJ101T-RB
R53	RES. CARB. 150 OHMS 1/4W	-	-	-	-	BRD20SJ151T-RB	BRD20SJ151T-RB	BRD20SJ151T-RB	BRD20SJ151T-RB	BRD20SJ151T-RB
JPR1	RES. CARB. 3K3 OHMS 1/4W	-	BRD20SJ332T-RB	BRD20SJ332T-RB	BRD20SJ332T-RB	-	-	-	-	-
JPR1	RES. CARB. 6.2 KOHMS 0.2W	-	-	-	-	-	-	-	BRD20SJ622T-RB	-
JPR6	RES. CARB. 10 KOHMS 1/4W	BRD20SJ103T-RB	-	-	-	-	-	-	-	-
Z1	CONJUNTO RESISTORES	4-203JT	-	-	-	AEXBMSX104JT	AEXBMSX104JT	AEXBMSX104JT	AEXBMSX104JT	AEXBMSX104JT
Z2	CONJUNTO RESISTORES	4-203JT	-	-	-	-	-	-	-	-

RELÉS										
REF	DESCRIÇÃO	5556BH/K	5557BH/K	6957BH/K	4558BH/K	5658BH/K	6658BH/K	6958BH/K	7858BH/K	7958BH/K
RY1	RELE POTÊNCIA OMRON	G5J-1-TP-M-ER12	G5J-1-TP-M-ER12	G5J-1-TP-M-ER12	G5J-1-TP-M-ER12	G5J-1-TP-M-ER18	G5J-1-TP-M-ER18	G5J-1-TP-M-ER18	G5J-1-TP-MOER18	G5J-1-TP-M-ER18
RY2	RELE LAMPADA OMRON	G5B-1-ER18	G5N-1A18VDC	G5N-1A18VDC	G5N-1A18VDC	G5B-1-ER18	G5B-1-ER18	G5B-1-ER18	G5B-1-ER18	G5B-1-ER18
RY3	RELE POTÊNCIA OMRON	-	-	G5J-1-TP-M-ER12	-	-	-	-	-	-
RY4	RELE POTÊNCIA OMRON	-	-	-	-	-	-	G5J-1-TP-M-ER18	-	G5J-1-TP-M-ER18
VARISTOR										
ZNR	VARISTOR	BRZC10DK301-IC	BRZC10DK301-IC	BRZC10DK301-IC	BRZC10DK301-IC	-	-	-	-	-
ZNR2	VARISTOR	ERZC10DK182R	ERZC10DK112R	ERZC10DK112R	ERZC10DK112R	-	-	-	-	-
D20	VARISTOR	-	-	-	-	ERZC10DK471F	ERZC10DK471F	ERZC10DK471F	ERZC10DK471F	ERZC10DK471F
BZ	BUZINA (MURATA MAO)	AEFB22EP2002	-	-	-	-	-	-	-	-
BZ1	BUZINA (MURATA MAO)	-	AEFB22EP2002	AEFB22EP2002	AEFB22EP2002	AEFB22EP2002	AEFB22EP2002	AEFB22EP2002	AEFB22EP2002	AEFB22EP2002
OSCILADOR										
CX1	OSC. CER. (MURATA MAO)	CSTA.19MGW-TF01	CSTA.19MGW-TF01	CSTA.19MGW-TF01	CSTA.19MGW-TF01	CSTA.19MGW-TF01	CSTA.19MGW-TF01	CSTA.19MGW-TF01	CSTA.19MGW-TF01	CSTA.19MGW-TF01
DISPLAY										
DISP	DISPLAY 6AM9R	FIP6AM9R	-	-	-	-	-	-	-	-
DISP1	DISPLAY LED	-	DA04-14GWA-8.0	DA04-14GWA-8.0	DA04-14GWA-8.0	SVM-06SS17	SVM-06SS17	SVM-06SS17	SVM-06SS17	SVM-06SS17
DISP2	DISPLAY LED	-	DA04-14GWA-8.0	DA04-14GWA-8.0	DA04-14GWA-8.0	-	-	-	-	-
TRANSFORMADOR										
T1	TRANSF. FORÇA 120V	ETP35K6CZ	-	-	-	ETP35KZ6CZ	ETP35KZ6CZ	ETP35KZ6CZ	ETP35KZ6CZ	ETP35KZ6CZ
T1	TRANSF. FORÇA 220V	ETP35KZ7Z	-	-	-	ETP35KZ7Z	ETP35KZ7Z	ETP35KZ7Z	ETP35KZ7Z	ETP35KZ7Z
T1	TRANSF. PLACA 120V	-	ETP41KZ27Z	ETP41KZ27Z	ETP41KZ27Z	-	-	-	-	-
T1	TRANSF. PLACA 220V	-	ETP41KZ28Z	ETP41KZ28Z	ETP41KZ28Z	-	-	-	-	-
FUSÍVEL										
	FUSIVEL CER. 126VAC 12A	XBAC1F12RNR1MBS	XBAC1F12RNR1MBS	XBAC1F12RNR1MBS	-	-	-	-	-	-
	FUSIVEL CER. 125VAC 15A	-	-	XBAC1F15RNR1MBS	XBAC1F15RNR1MBS	-	-	XBAC1F15RNR1MBS	XBAC1F15RNR1MBS	XBAC1F15RNR1MBS
	FUSIVEL CER. 125V 18A	-	-	-	-	XBAC1F18RNS1MBS	XBAC1F18RNS1MBS	-	-	-
	FUSIVEL CER. 250VAC 10A	XBAC2F10RNS2ABS	XBAC2F10RNS2ABS	XBAC2F10RNS2ABS	XBAC2F10RNS2ABS	-	-	XBAC2F10RNS2ABS	XBAC2F10RNS2ABS	XBAC2F10RNS2ABS
	FUSIVEL CER. 250V 12A	-	-	-	-	XBAC2F12RNS1ABS	XBAC2F12RNS1ABS	-	-	-