

ADELAIDA

1100 CRAIOVA

0251.413.620-415.995

Componente Electronice

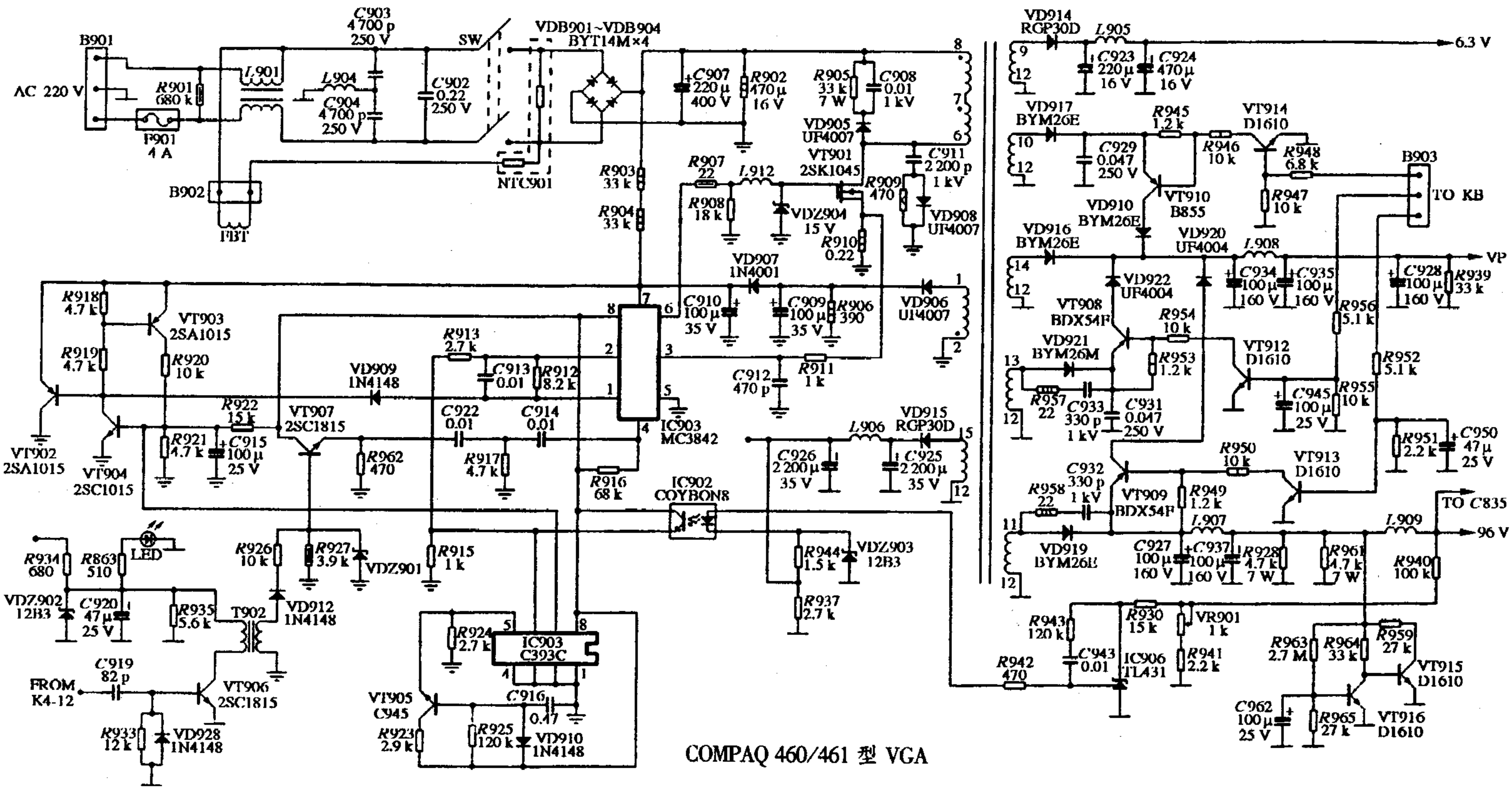
Optoelectronic

Smd

Module Electronice

<http://www.adelaida.ro>

E-mail:sales@adelaida.ro



COMPAQ 460/461 型 VGA