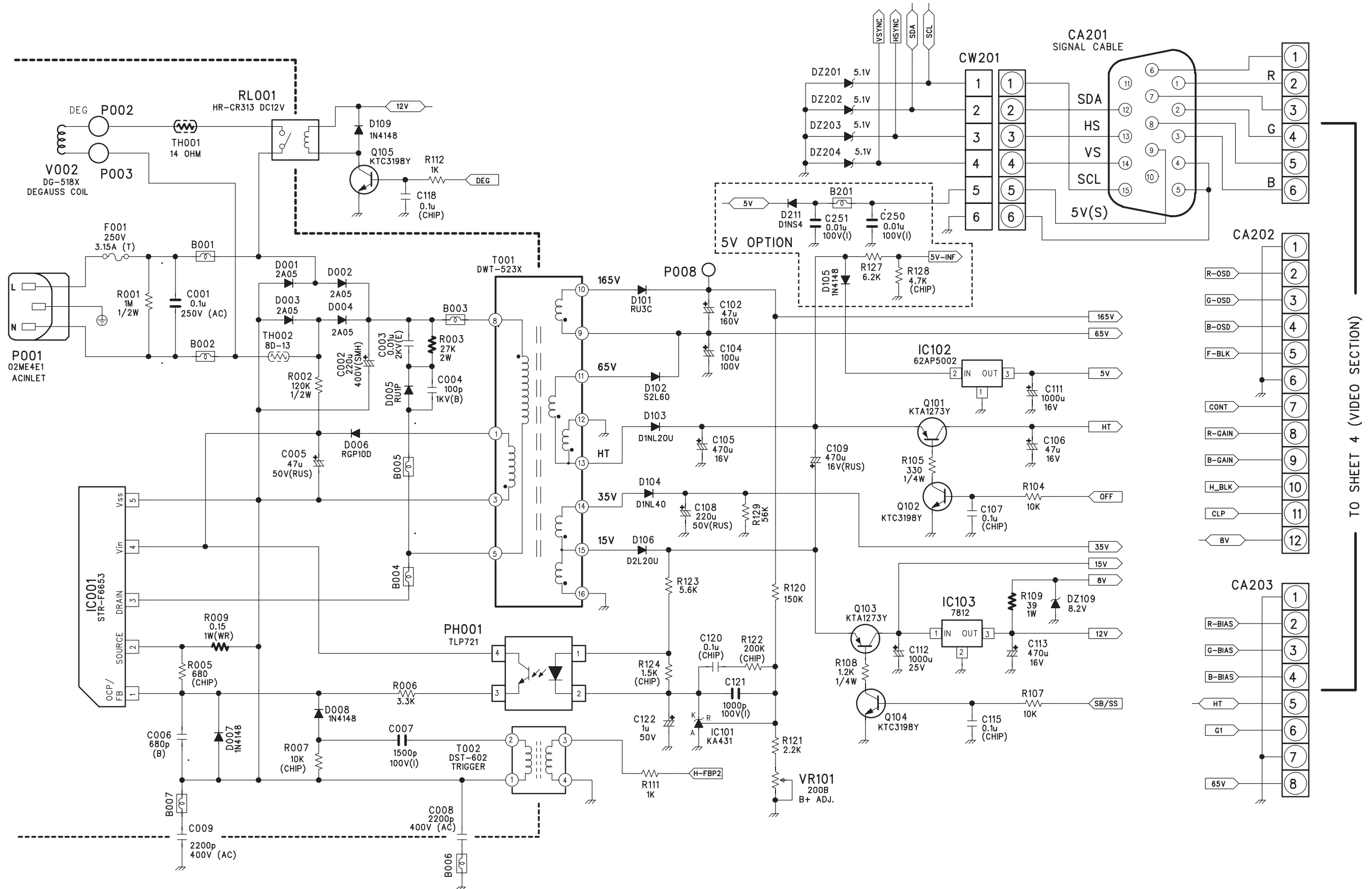
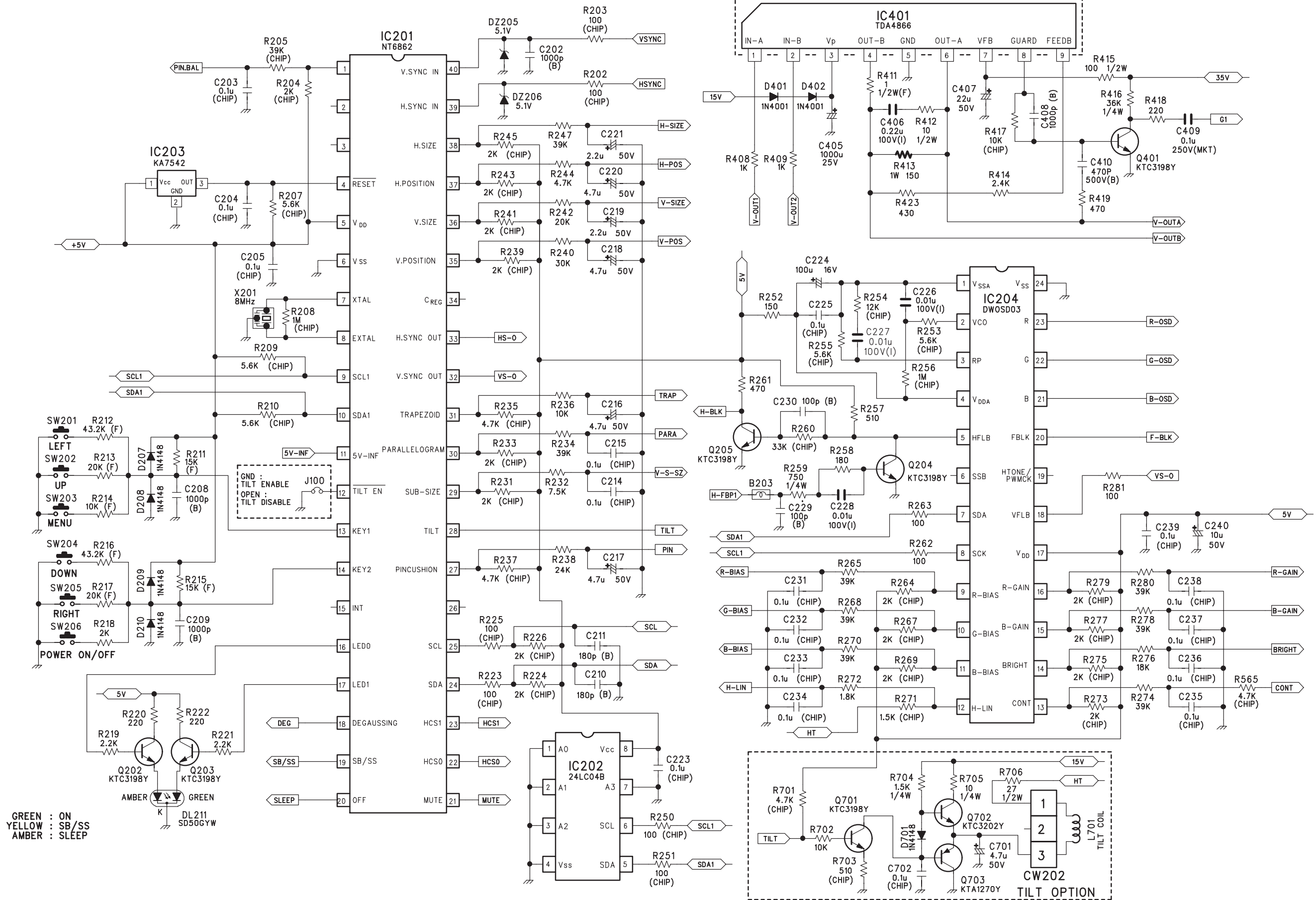


SCHEMATIC DIAGRAM

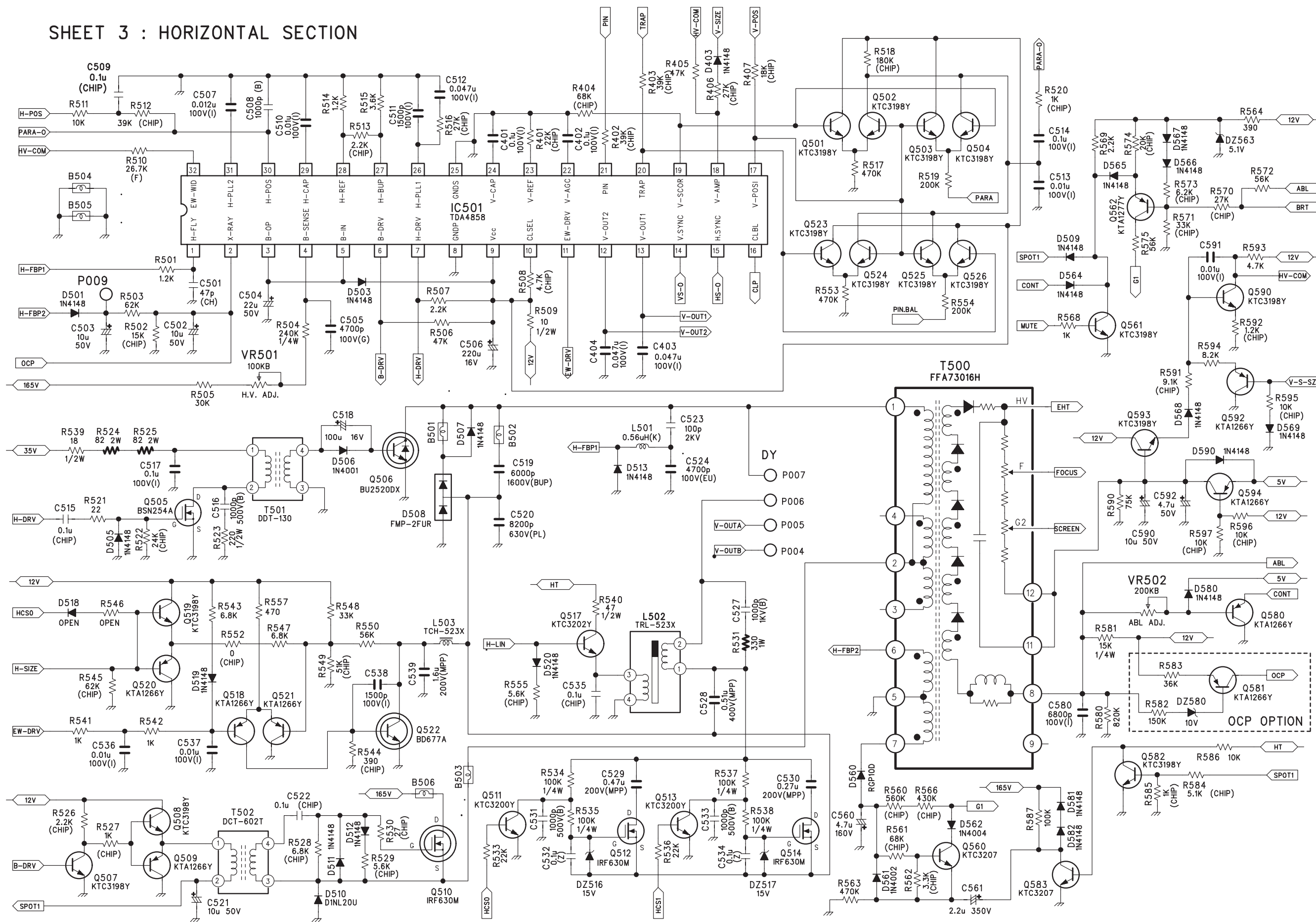
SHEET 1 : POWER & CONNECTION SECTION



SHEET 2 : CONTROL & VERT.OUT SECTION



SHEET 3 : HORIZONTAL SECTION



SHEET 4 : VIDEO SECTION

